

RYOBI 10 in. TABLE SAW - MODEL NO. BT3000

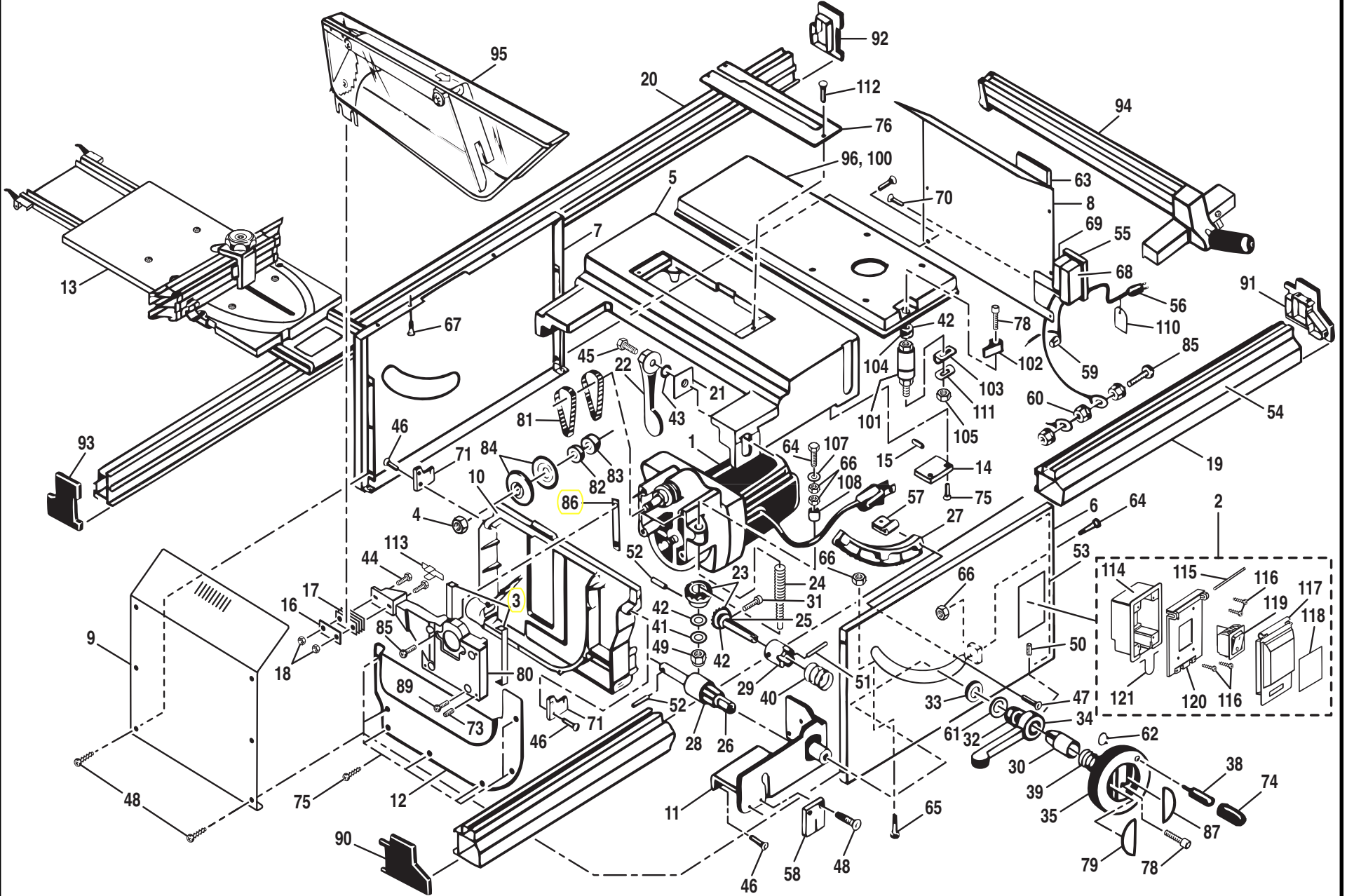
FIGURE 59: 10 in. TABLE SAW

FOR MITER TABLE ASSEMBLY,
REFER TO FIGURE 60

FOR BLADE GUARD ASSEMBLY,
REFER TO FIGURE 63

FOR RIP FENCE ASSEMBLY,
REFER TO FIGURE 61

FOR MOTOR ASSEMBLY,
REFER TO FIGURE 62



RYOBI 10 in. TABLE SAW - MODEL NO. BT3000

PARTS LIST-FIGURE 59

The model number will be found on the data plate attached to the right side panel of the cabinet, next to the saw's on board receptacle. Always mention the model number in all correspondence regarding your **TABLE SAW** or when ordering repair parts.

Key Part No. No.	Description	Quan.	Key Part No. No.	Description	Quan.		
1	969214-010	MOTOR ASSEMBLY.	1	44	615570-007	HEX BOLT (5/16-18 X 1-1/8 in.)	2
2	664106002	OFF/ON SWITCH ASSEMBLY ..	1	45	615570-020	HEX BOLT (5/16-18 X 3/4 in.) ...	4
3	969599001	SHIM	2	46	968705-009	SCREW	
4	969226-001	HEX NUT (5/8-18)	1			(10-24 X 5/8 in. PAN HD.)	8
5	969101-001	SAW TABLE	1	47	662493-002	SCREW	
6	662884-001	FRONT CABINET PANEL	1			(10-24 X 5/8 in. PAN HD.)	3
7	969103-001	REAR CABINET PANEL	1	48	968703-005	SCREW	
8	969104-001	RIGHT CABINET PANEL	1			(8-32 X 3/8 in. PAN HD.)	16
9	969105-001	LEFT CABINET PANEL	1	49	607406-005	NYLON HEX NUT (3/8-16)	1
10	969529-002	LOCKER BRACKET	1	50	969218-001	SET SCREW (1/4-20 X 3/8 in.) ..	1
11	661694-003	CLAMPER BRACKET	1	51	941401-018	ROLL PIN	1
12	969548-003	DUST COVER	1	52	941401-831	ROLL PIN	2
13	969176-906	MITER TABLE ASSEMBLY.	1	53	664101-001	NAME PLATE	1
14	969113-001	CLAMP PLATE	2	54	969135-001	SCALE LABEL	1
15	623924-002	NEEDLE ROLLER		55	969137-001	OUTLET	
		(1/4 in. X 3/4 in.)	2			(15 AMP SINGLE POLE)	1
16	662481-001	CLAMP	1	56	969138-001	CORD	1
17	969193-001	SHIM	5	57	989001-001	CABLE CLAMP	1
18	607406-003	HEX NUT (5/16-18)	2	58	969140-001	BEVEL INDICATOR	1
19	969117-001	FRONT RAIL	1	59	642149-001	WIRE NUT	1
20	969924-001	REAR RAIL	1	60	643128-001	LOCK NUT (8-32 HEX)	3
21	969251-002	RAIL HOLDER NUT (5/16)	4	61	969142-001	CONE DISC SPRING	1
22	663144-001	RAIL LOCKING CLAMP	4	62	622167-014	RETAINING RING	1
23	969122-002	BEVEL GEAR	2	63	663346-001	DATA PLATE	1
24	969123-001	SHAFT	1	64	615570-012	BOLT (1/4-20 X 1 in. HEX)	2
25	969124-001	GEAR SHAFT	1	65	615570-011	BOLT (1/4-20 X 2 in. HEX)	1
26	969125-002	HANDLE SHAFT	1	66	622171-053	HEX NUT (1/4-20)	4
27	969126-001	GEAR RACK	1	67	968705-004	SCREW	
28	969127-001	TILTING GEAR	1			(10-24 X 5/16 in. PAN HD.)	2
29	969128-001	CLUTCH	1	68	969230-001	PLUG SOCKET BOX (A)	1
30	969129-002	CAM	1	69	969229-001	PLUG SOCKET BOX (B)	1
31	998292-002	SCREW		70	968702-011	SCREW	
		(8-32 X 1-3/16 in. FIL. HD.)	1			(8-16 X 3/4 in. PAN HD.)	4
32	607406-006	HEX NUT (3/4-16)	1	71	664087-001	LOCKER SUPPORT	2
33	661796-001	WASHER	1	73	662079-001	SET SCREW (10-24 X 3/8 in.) ..	4
34	969130-001	BEVEL LOCKING LEVER	1	74	969912-003	BLADE ADJUSTMENT	
35	662848-001	BLADE ADJUSTING HANDLE ..	1			HANDLE GRIP	1
38	662822-002	HANDWHEEL INNER GRIP	1	75	968705-040	SCREW	
39	969222-001	SPRING	1			(10-24 X 1/2 in. PAN HD.)	15
40	969221-001	SPRING	1	76	969605-004	THROAT PLATE	1
41	706382-359	WASHER	1	78	969220-002	CAP SCREW	2
42	706382-360	WASHER	3	79	663181-001	LABEL	1
43	706382-346	WASHER	4	80	969212-001	GUIDE HOLDER	1

RYOBI 10 in. TABLE SAW - MODEL NO. BT3000

PARTS LIST-FIGURE 59-CONT'D

Key Part No. No.	Description	Quan.	Key Part No. No.	Description	Quan.
81	662329001 V BELT	2	102	969175-002 HANDLE	1
82	662062-001 1/4 in. SPACER	1	103	969216-001 SPRING PLATE	1
83	662062-002 1/2 in. SPACER	1	104	623111-001 RETAINING EXTENSION	1
84	969205-001 BLADE WASHER	2	105	644585-002 HEX NUT (1/4-20)	1
85	614658-007 SCREW (8-32 X 3/4 in. PAN HD.)	3	107	706382-343 WASHER	1
86	969600001 SHIM	2	108	661853-001 SPACER	1
87	663181-002 LABEL	1	110	663339-001 HANG TAG	1
89	968705-015 SCREW (10-24 X 1 in. PAN HD.)	4	111	661992-002 BACK-UP PLATE	1
90	662406-001 END PLUG F1 (FRONT LEFT) ..	1	112	622183-052 SCREW (10-24 X 3/4 in. FLAT HD.)	3
91	662407-001 END PLUG F2 (FRONT RIGHT) 1		113	662080-001 BOLT HOLDER	1
92	662408-001 END PLUG R1 (RIGHT REAR) .1		114	663284-001 REAR SWITCH COVER	1
93	662409-001 END PLUG R2 (LEFT REAR)1		115	623924-009 NEEDLE ROLLER	1
94	969143-001 RIP FENCE ASSEMBLY	1	116	968702-005 SCREW (8-16 X 3/8 in. PAN HD.)	4
95	969165001 BLADE GUARD ASSEMBLY	1	117	663283-001 SWITCH COVER	1
96	969172-001 *ACCESSORY TABLE ASSEMBLY	1	118	664105-001 SWITCH COVER LABEL	1
100	969173-001 ACCESSORY TABLE	1	119	664104-001 SWITCH	1
101	969174-004 HANDLE SHAFT	1	120	663285-001 SWITCH BASE	1
			121	664084-001 LATCH	1

* ITEM 96 INCLUDES PARTS 42, 78, 100 THROUGH 105, AND 111.



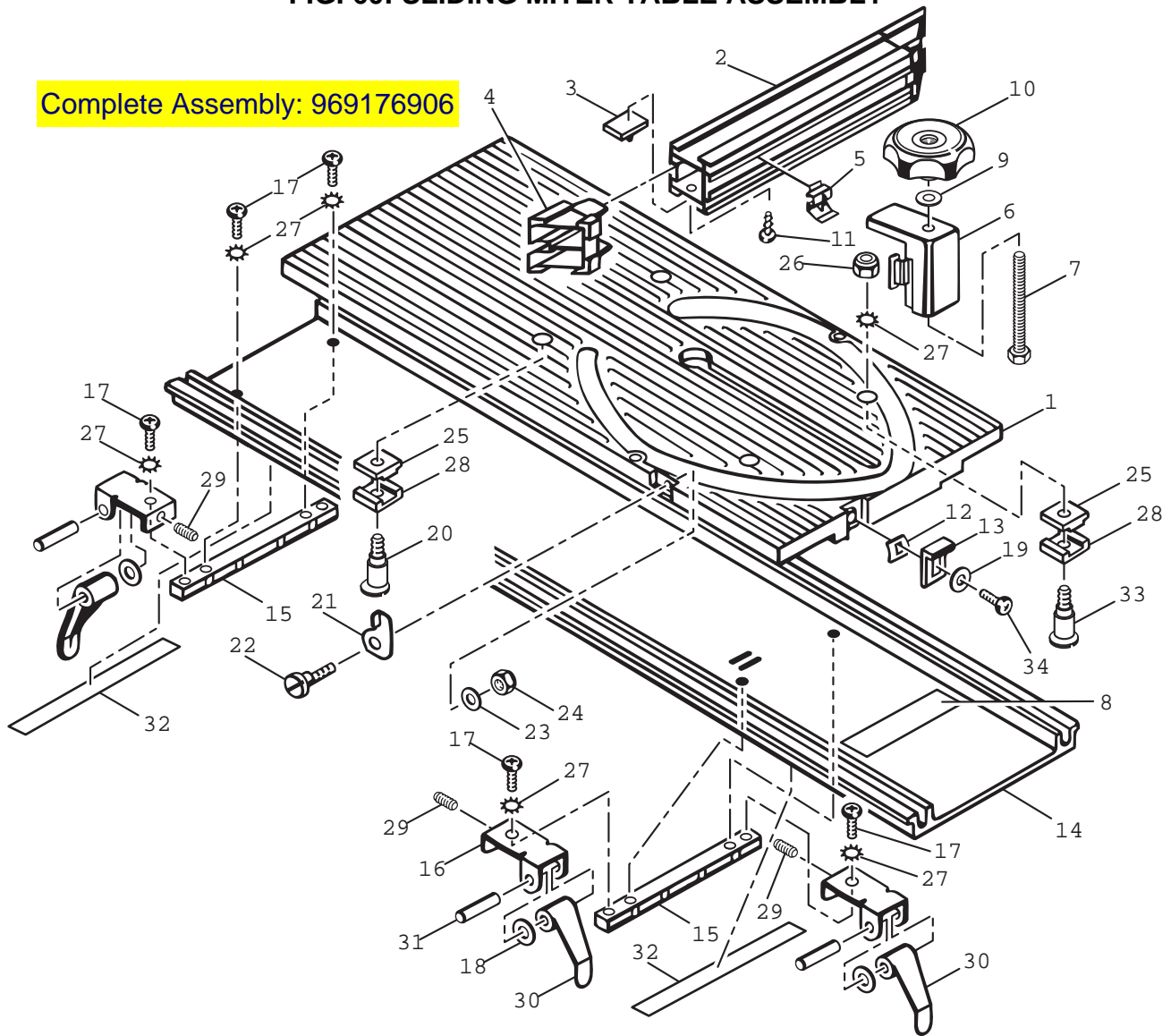
WARNING:

Improper electrical repair of the table saw can result in damage to the drive system possibly causing electrical shock or electrocution. Any repairs requiring disassembly of your tool require safety testing and should only be performed by a Ryobi **Authorized Service Center**.

RYOBI 10 in. TABLE SAW - MODEL NO. BT3000

FIG. 60: SLIDING MITER TABLE ASSEMBLY

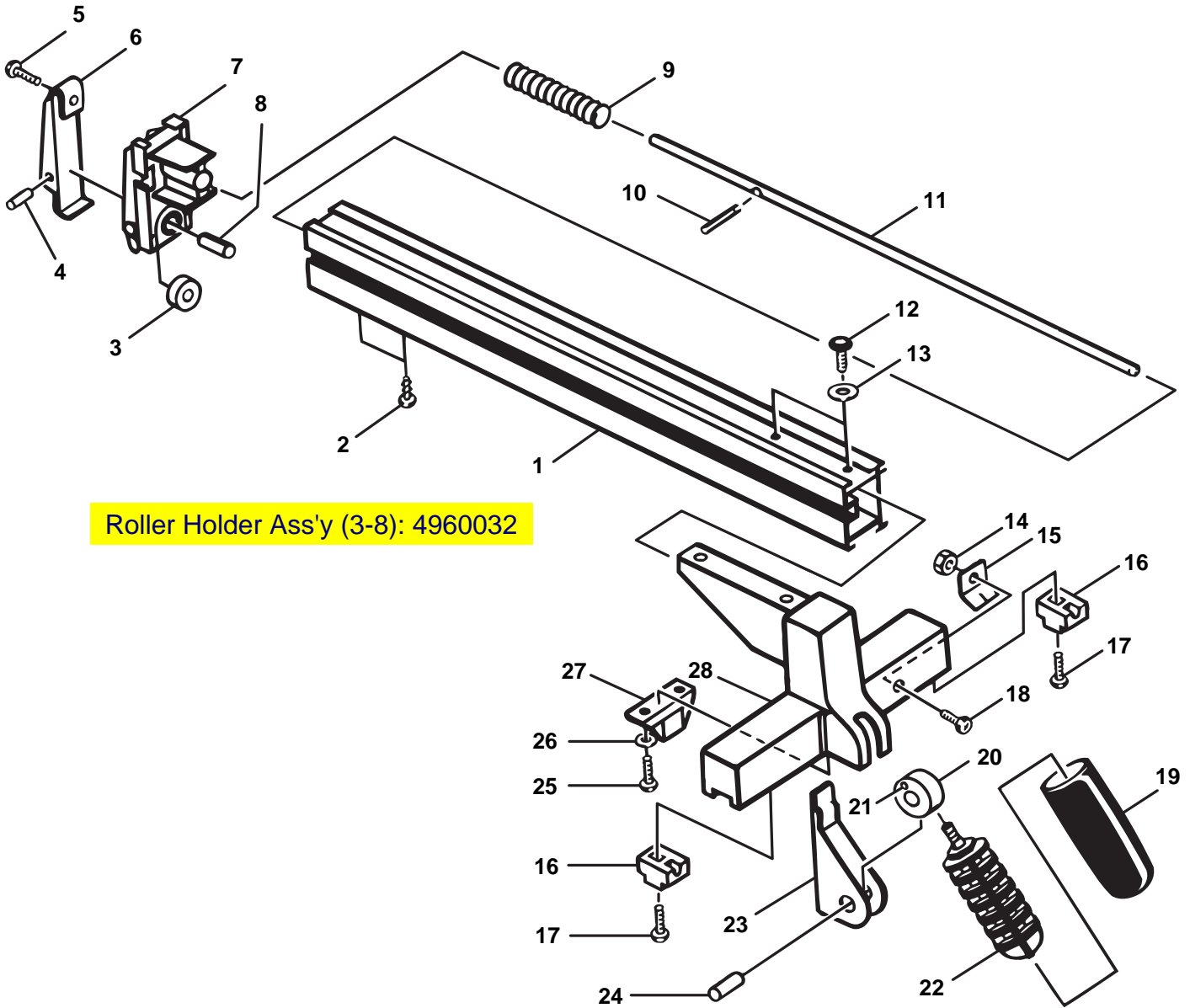
Complete Assembly: 969176906



Key Part No. No.	Description	Quan.	Key Part No. No.	Description	Quan.
1	969177-001 MITER TABLE TOP	1	18	607617-003 O-RING	4
2	969188-001 MITER FENCE	1	19	621721-010 WASHER	1
3	661811-001 PIVOT	1	20	969502001 ECCENTRIC SCREW (10-24) ..	3
4	969190-001 SAW GAGE	2	21	969500-001 QUICK STOP	1
5	969191-002 MITER INDICATOR	1	22	969501-002 ECCENTRIC SCREW (8-32) ...	1
6	969192-001 MITER FENCE HOLDER	1	23	621721-001 WASHER	1
7	615570-010 BOLT (5/16-18 X 3-1/4 in. HEX HD.) ...	1	24	703477-006 HEX NUT (ELASTIC STOP)	1
8	663344-002 WARNING LABEL	1	25	661844001 SLIDE (A)	4
9	706382-357 WASHER	1	26	703477-059 HEX NUT (ELASTIC STOP)	4
10	662285-001 ADJUSTING CLAMP	1	27	621032-002 LOCK WASHER	12
11	968702-009 SCREW (8-16 X 5/8 in. PAN HD.)	2	28	661845001 SLIDE (B)	4
12	969227-001 SPRING PLATE	1	29	969218-005 SET SCREW (10-24 X 1/4 in. HEX SOCKET) 4	4
13	969225-001 MITER SLIDE LOCK	1	30	969915-002 MITER LOCKING CLAMP	4
14	969228-003 MITER BASE	1	31	941401-308 ROLL PIN	4
15	664137-001 GUIDE BAR	2	32	661706-001 GUIDE PLATE	2
16	969916-006 HOLDER PLATE	4	33	662306001 NON-ECCENTRIC SCREW (10-24)	1
17	968705-041 SCREW (10-24 X 15/32 in. PAN HD.)	8	34	968705-007 SCREW (10-24 X 1/2 in. PAN HD.)	1

RYOBI 10 in. TABLE SAW - MODEL NO. BT3000

FIG. 61: RIP FENCE ASSEMBLY

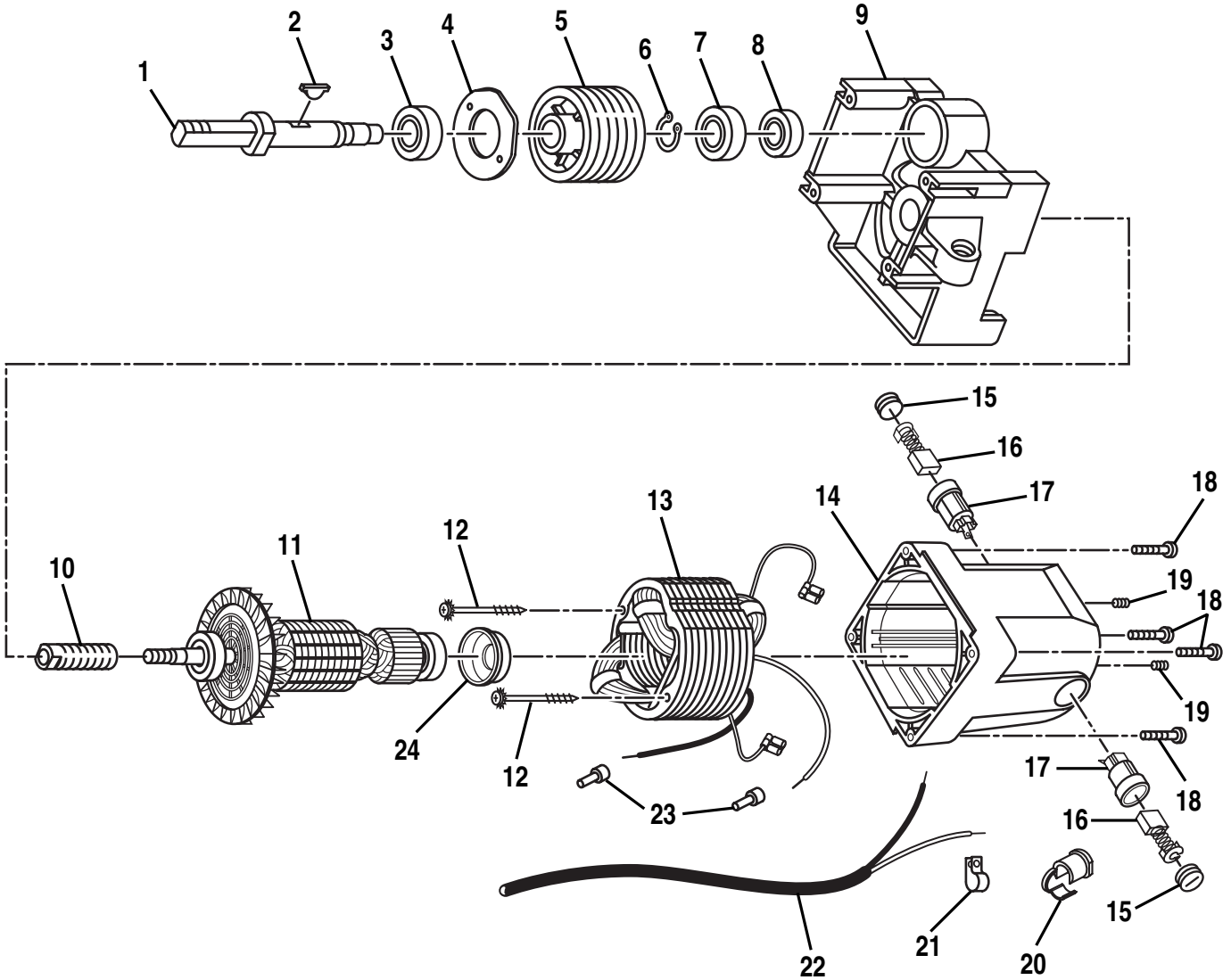


Roller Holder Ass'y (3-8): 4960032

Key Part No.	Part No.	Description	Quan.	Key Part No.	Part No.	Description	Quan.
1	969144-001	RIP FENCE	1	15	969153-001	SCALE INDICATOR	1
2	968704-006	SCREW (10-14 X 1/2 in. PAN HD.)	2	16	969240-001	SLIDE	2
3	969155-001	FENCE ROLLER	1	17	968703-007	SCREW (8-32 X 1/2 in. PAN HD.)	2
4	941401-309	ROLL PIN	1	18	614658-004	SCREW (8-32 X 1/2 in. PAN HD.)	1
5	607067-007	SCREW (10-24 X 1 in. PAN HD.)	1	19	969912-004	LOCKING HANDLE GRIP	1
6	969254-001	CLAMPER - B	1	20	969146-003	ECCENTRIC ROLLER	1
7	969154-002	ROLLER HOLDER	1	21	623019-004	RUBBER PLUG	1
8	969114-001	DOWEL PIN (1/4 in. X 3/4 in.)	1	22	969148-001	LOCKING HANDLE BOLT	1
9	969253-001	COMPRESSION SPRING	1	23	969252-001	CLAMPER - A	1
10	941401-833	ROLL PIN	1	24	969147-002	PIN	1
11	969156-001	ROD	1	25	968703-005	SCREW (8-32 X 3/8 in. PAN HD.)	2
12	610878-003	SCREW (1/4-20 X 5/8 in. BUTTON HD.)	2	26	931055-821	WASHER	2
13	706382-358	WASHER	2	27	969150-001	PLATE	1
14	706404-007	HEX NUT (8-32)	1	28	969145-008	FRONT BLOCK	1

RYOBI 10 in. TABLE SAW - MODEL NO. BT3000

FIG. 62: MOTOR ASSEMBLY

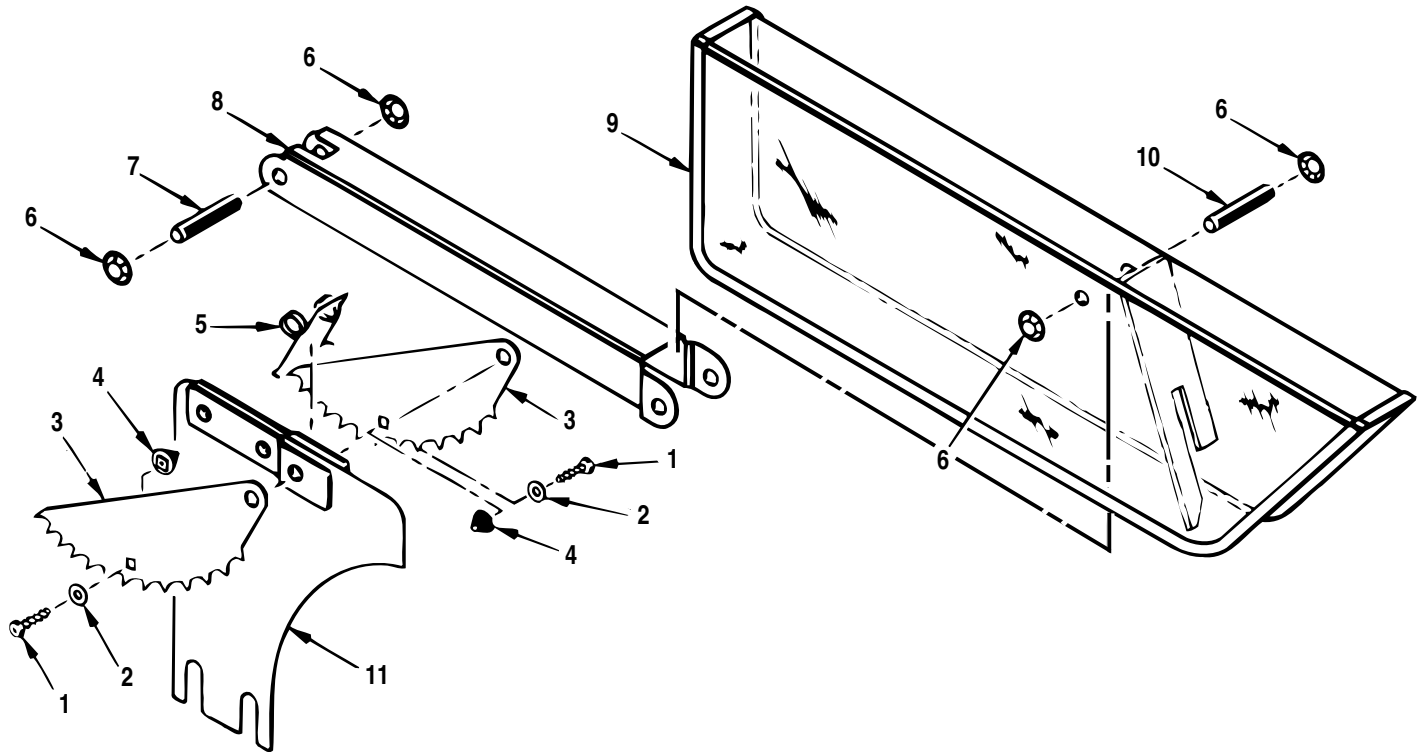


Key Part No.	Part No.	Description	Quan.	Key Part No.	Part No.	Description	Quan.
1	969209-001	ARBOR	1	13	4500008	FIELD ASSEMBLY	1
2	616452-010	WOODRUFF KEY (3/16 in.) ...	1	14	4800030	MOTOR HOUSING	1
3	969235-003	BALL BEARING (6003)	1	15	4570009	BRUSH COVER	2
4	969203-001	BEARING PLATE	1	16	4540007	BRUSH ASSEMBLY	2
5	969210-002	ARBOR PULLEY	1	17	4570008	BRUSH HOLDER ASSY.	2
6	622167-068	RETAINING RING	1	18	4130267	SCREW AND WASHER (PAN HD.)	4
7	969235-004	BALL BEARING (6002)	1	19	4130266	SET SCREW (HEX)	2
8	969235-005	BALL BEARING (6200ZZ)	1	20	4520017	STRAIN RELIEF BUSHING ...	1
9	4800031	MOTOR BRACKET	1	21	4520018	CABLE CLAMP	1
10	4860022	MOTOR PULLEY	1	22	4520016	POWER CORD	1
11	4460008	ARMATURE ASSEMBLY.	1	23	4560026	CONNECTOR	2
12	4130268	SCREW AND WASHER (FIELD PAN HD)	2	24	4750011	BEARING BUSHING	1

Note: When ordering a complete motor assembly (969214010), key numbers 1-8 above must be ordered as individual components

RYOBI 10 in. TABLE SAW - MODEL NO. BT3000

FIG. 63: BLADE GUARD ASSEMBLY



**Key Part
No. No.**

Description

Quan.

**Key Part
No. No.**

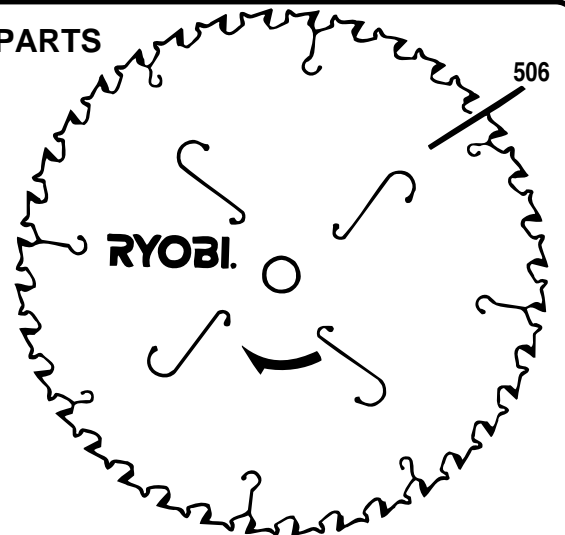
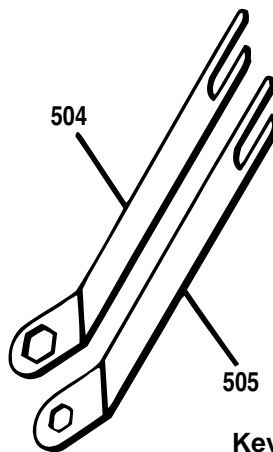
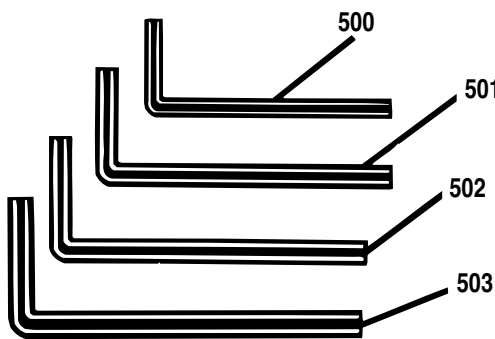
Description

Quan.

1	968700-004	SCREW (6-19 X 5/16 in. PAN HD.)	2
2	931055-821	WASHER	2
3	969169-001	ANTI-KICKBACK FINGERS	2
4	662002-001	SPACER CAP	2
5	969608-001	TORSION SPRING	1

6	969233-010	PUSH NUT	4
7	969170-001	DOWEL PIN (.309 X 1-1/4 in.)	1
8	969610-002	ARM	1
9	969612-001	COVER (CLEAR)	1
10	969170-002	DOWEL PIN (.309 X 1-3/4 in.)	1
11	969168-005	RIVING KNIFE ASSEMBLY	1

FIG. 64: REPLACEMENT PARTS



**Key Part
No. No.**

Description

Quan.

**Key Part
No. No.**

Description

Quan.

500	820193-004	3/32 in. ALLEN WRENCH	1
501	820193-005	1/8 in. ALLEN WRENCH	1
502	820193-006	5/32 in. ALLEN WRENCH	1
503	820193-007	3/16 in. ALLEN WRENCH	1

504	969244-003	LARGE WRENCH	1
505	969244-004	SMALL WRENCH	1
506	969196-001	SAW BLADE	1
	972000-293	OPERATOR'S MANUAL	