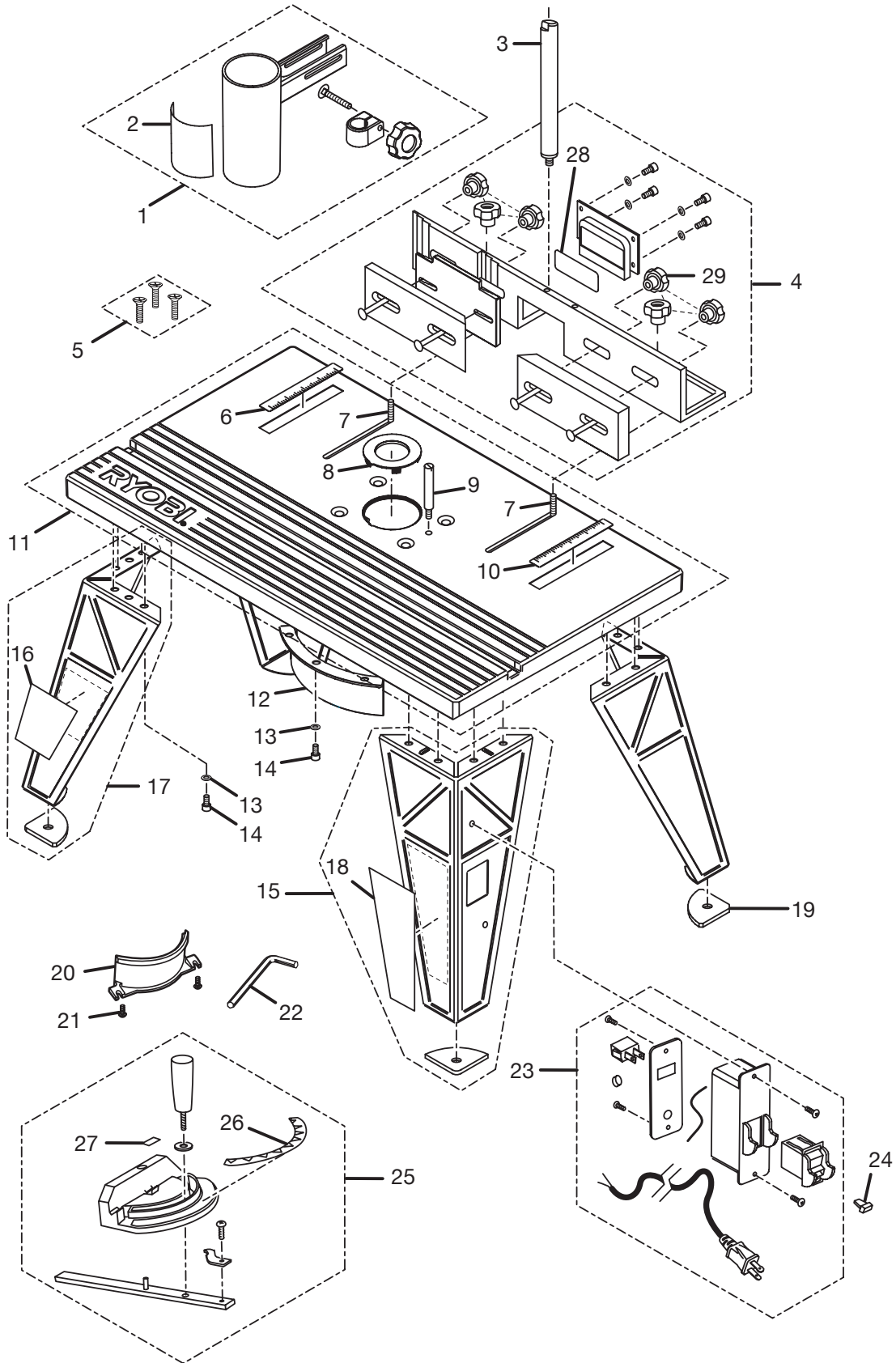


RYOBI ROUTER TABLE

MODEL NO. RT101

REPAIR SHEET

RYOBI ROUTER TABLE - MODEL NO. RT101



WARNING: Improper repair of a double insulated tool can result in damages to the double insulation system possibly causing electrical shock or electrocution. Any repairs requiring disassembly of your tool requires safety testing and should only be performed by a Ryobi Authorized Service Center. For the service center nearest you call 1-800-525-2579.

RYOBI ROUTER TABLE – MODEL NO. RT101

The model number will be found on Leg A. Always mention the model number in all correspondence regarding your **ROUTER TABLE** or when ordering repair parts.

KEY NO.	PART NO.	DESCRIPTION	QTY.
1	3012401	CUTTER GUARD ASSEMBLY	1
2	9423037	DECAL	1
3	6955901	GUARD POST.....	1
4	3072501	FENCE ASSEMBLY	1
5	6604501	* SCREW (5/16 X 1 in.).....	3
6	9427555	SCALE LABEL, LEFT	1
7	6614102	CARRIAGE BOLT.....	2
8	5937001	THROAT PLATE	1
	5936901		
	5936801		
	5936701		
	5936601		
9	6221601	STARTING PIN.....	1
10	9427551	SCALE LABEL, RIGHT	1
11	3069503	TABLE ASSEMBLY	1
12	5937101	UNDERTABLE GUARD	1
13	6955801	SPRING WASHER	19
14	6616941	* SCREW (M6 X 12 mm)	19
15	983666-001	LEG ASSEMBLY (A).....	1
16	9423038	WARNING LABEL.....	1
17	983665-001	LEG ASSEMBLY	3
18	9427546	RATING LABEL.....	1
19	5686301	RUBBER PAD	4
20	5937201	REAR SAFETY GUARD	1
21	6631503	* SCREW (10-32 X 3/8 in.)	2
22	6887302	HEX KEY (W6 X 90L)	1
23	2701504	SWITCH BOX ASSEMBLY.....	1
24	303471000	SWITCH KEY	1
25	3072601	MITER GAUGE ASSEMBLY.....	1
26	9427553	MITER SCALE LABEL	1
27	9427552	LABEL.....	1
28	9427554	LABEL.....	1
29	5937801	LOCK KNOB.....	6
	983000-134	OPERATOR'S MANUAL	1
	983000-134R	REPAIR SHEET	
	02-02-04		

* STANDARD HARDWARE ITEM – MAY BE PURCHASED LOCALLY

RYOBI ROUTER TABLE – MODEL NO. RT101
FIGURE B: WIRING DIAGRAM

