

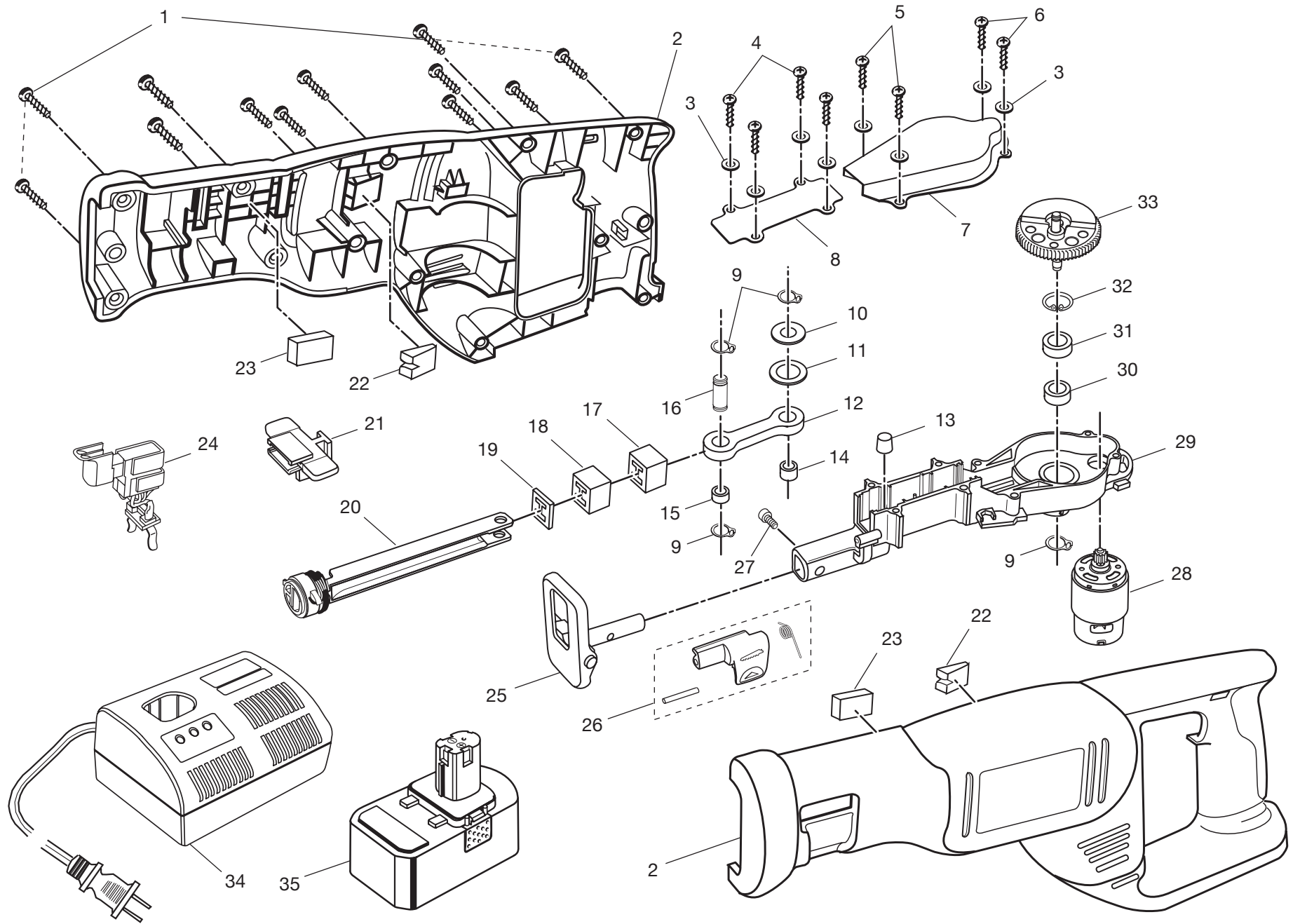
RYOBI

18.0 VOLT CORDLESS RECIPROCATING SAW

MODEL NO. RJC181

REPAIR SHEET

RYOBI 18.0 VOLT CORDLESS RECIPROCATING SAW - MODEL NUMBER RJC181



RYOBI 18.0 VOLT CORDLESS RECIPROCATING SAW – MODEL NUMBER RJC181

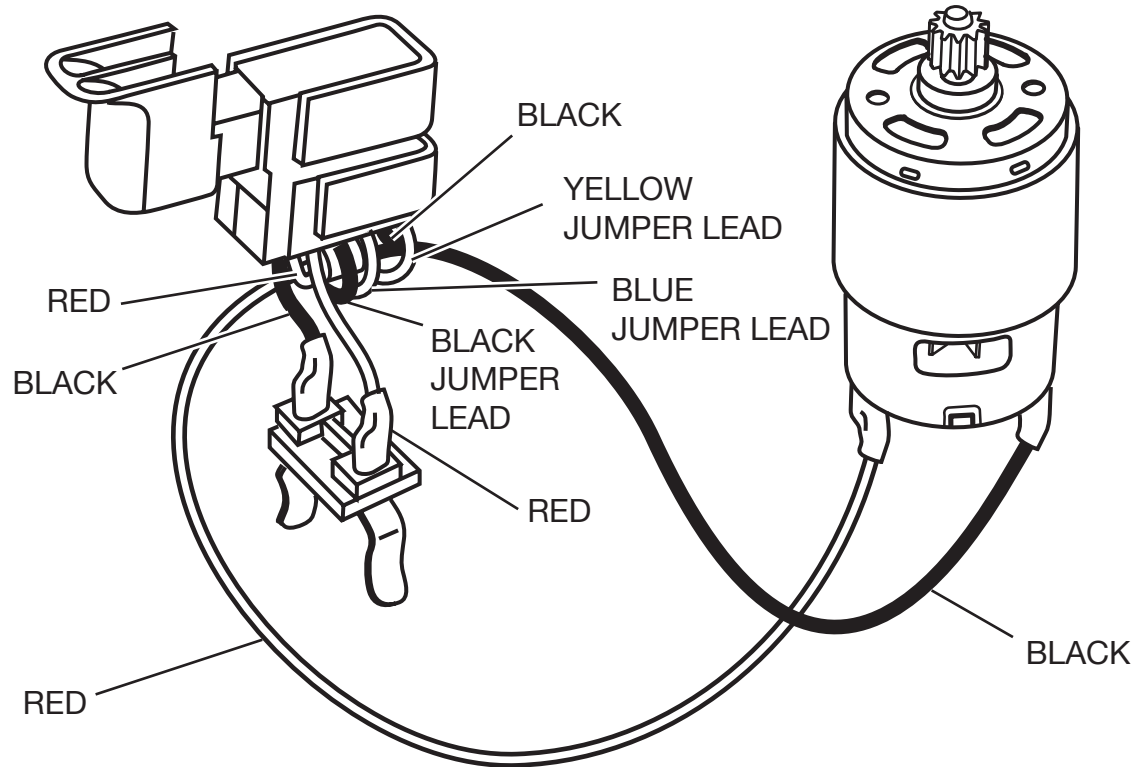
The model number will be found on a plate attached to the motor housing. Always mention the model number in all correspondence regarding your **RECIPROCATING SAW** or when ordering repair parts.

PARTS LIST

KEY NO.	PART NUMBER	DESCRIPTION	QTY.	KEY NO.	PART NUMBER	DESCRIPTION	QTY.
1	6620805	* SCREW (M4 X 16 mm)	12	23	5670301	RUBBER PAD	2
2	984029001	HOUSING ASSEMBLY	1	24	2701090	SWITCH ASSEMBLY	1
3	6703001	SPRING WASHER	8	25	3021605	SHOE ASSEMBLY	1
4	6616503	* SCREW (M4 X 18 mm)	4	26	984030001	BLADE RELEASE MECHANISM	1
5	6616502	* SCREW (M4 X 12 mm)	2	27	6616926	* SCREW (M6 X 14 mm) W/SPRING WASHER	1
6	6621209	* SCREW (M4 X 25 mm)	2	28	2307401	MOTOR ASSEMBLY	1
7	6899801	GEAR CASE COVER	1	29	6899705	GEAR CASE SUPPORT	1
8	6900501	SLIDING ROD COVER	1	30	6899902	BALL BEARING (696-ZZ)	1
9	6770401	RETAINING RING	4	31	6899901	BALL BEARING (607-ZZ)	1
10	6902301	WASHER	1	32	6902501	RETAINING RING	1
11	6902401	WASHER	1	33	3030810	GEAR ASSEMBLY	1
12	6406002	CONNECTING ROD	1	34	1423701	BATTERY CHARGER	1
13	5670401	RUBBER CUSHION	1	35	1322401	BATTERY PACK	1
14	6829603	NEEDLE ROLLER BEARING	1	36	9426307	LOGO PLATE (NOT SHOWN)	1
15	6900101	CONNECTING BUSHING	1	37	9427007	DATA PLATE (NOT SHOWN)	1
16	6900901	PIN	1	38	6929101	BLADE (NOT SHOWN)	1
17	6900401	SLIDE BUSHING	1	39	6929201	BLADE (NOT SHOWN)	1
18	6900402	SLIDE BUSHING	1		983000074	OPERATOR'S MANUAL	
19	9031034	FIBER SHEET	1		983000074R	REPAIR SHEET (REV: 01)	
20	984028001	SLIDING ROD ASSEMBLY	1		04-05-05		
21	984987001	SAFETY BUTTON W/SPRING	1				
22	5672301	RUBBER WEDGE	2				

WARNING: Improper repair of a double insulated tool can result in damage to the double insulation system possibly causing electrical shock or electrocution. Any repairs requiring disassembly of your tool requires safety testing and should only be performed by a Ryobi Authorized Service Center. For the service center nearest you call 1-800-525-2579.

* Standard Hardware Item – May Be Purchased Locally



WIRING DIAGRAM