

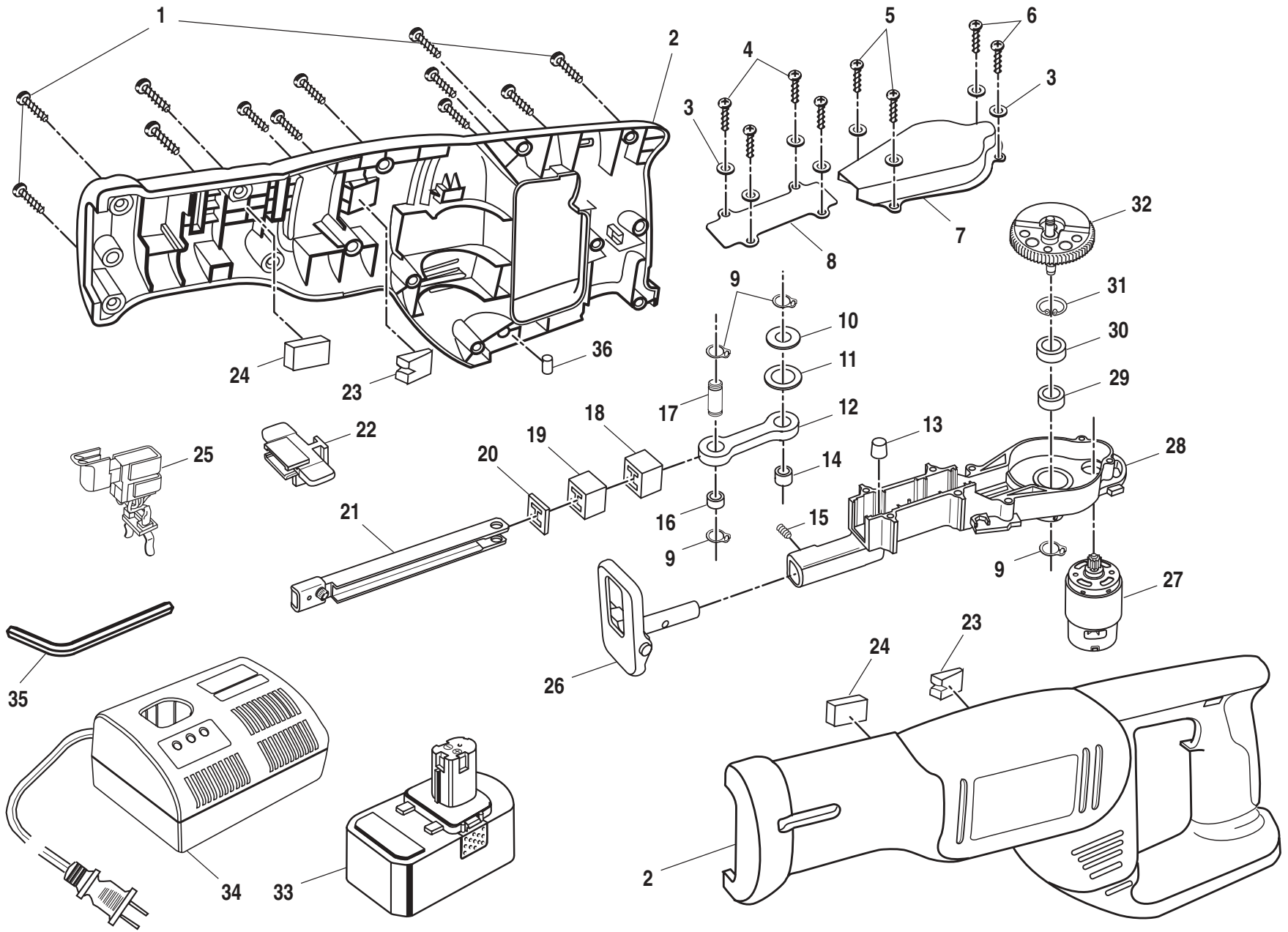
**RYOBI**

**18.0 VOLT CORDLESS RECIPROCATING SAW**

**MODEL NO. RJC180**

**REPAIR SHEET**

RYOBI 18.0 VOLT CORDLESS RECIPROCATING SAW – MODEL NUMBER RJC180



**RYOBI 18.0 VOLT CORDLESS RECIPROCATING SAW – MODEL NUMBER RJC180**

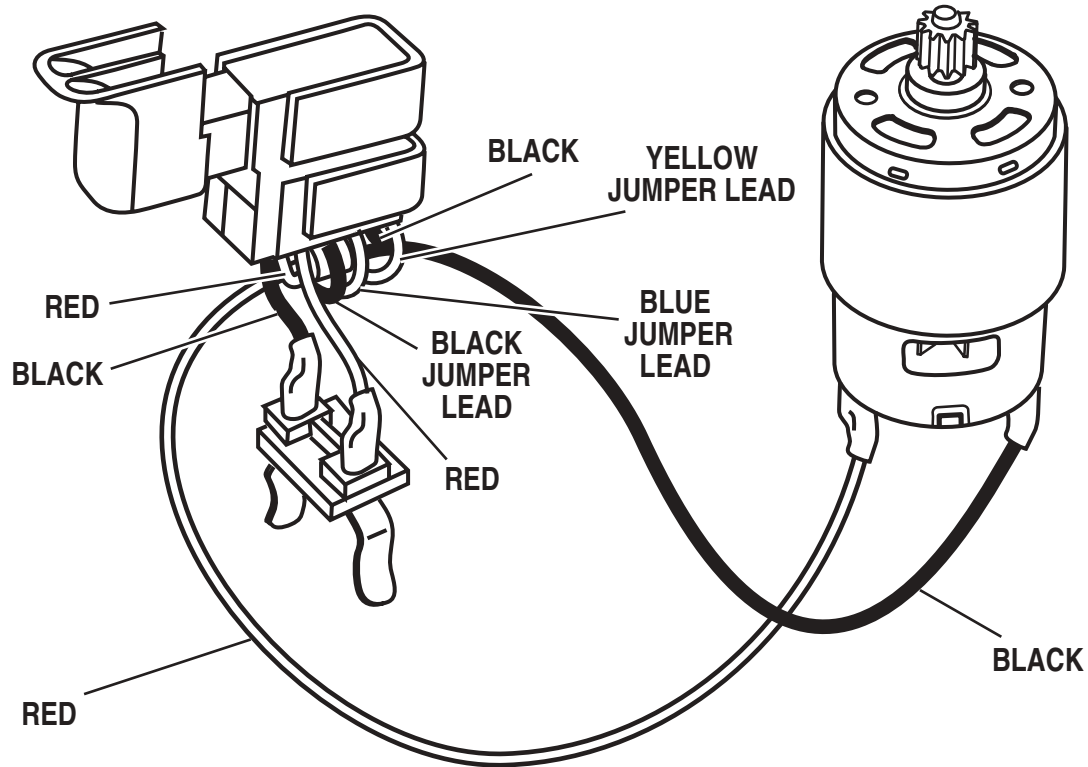
The model number will be found on a plate attached to the motor housing. Always mention the model number in all correspondence regarding your **RECIPROCATING SAW** or when ordering repair parts.

**PARTS LIST**

Key No.	Part Number	Description	Qty.	Key No.	Part Number	Description	Qty.
1	6620805	* SCREW (M4 X 16 mm)	12	22	984987-001	SAFETY BUTTON AND SPRING	1
2	984515-001	HOUSING ASSEMBLY	1	23	5672301	RUBBER WEDGE	2
3	6703001	SPRING WASHER	8	24	5670301	RUBBER PAD	2
4	6616503	* SCREW (M4 X 18 mm)	4	25	2701090	SWITCH ASSEMBLY	1
5	6616502	* SCREW (M4 X 12 mm)	2	26	3021602	SHOE ASSEMBLY	1
6	6621209	* SCREW (M4 X 25 mm)	2	27	2307401	MOTOR ASSEMBLY	1
7	6899801	GEAR CASE COVER	1	28	6899703	GEAR CASE SUPPORT	1
8	6900501	SLIDING ROD COVER	1	29	6899902	BALL BEARING (696-ZZ)	1
9	6770401	RETAINING RING	4	30	6899901	BALL BEARING (607-ZZ)	1
10	6902301	WASHER	1	31	6902501	RETAINING RING	1
11	6902401	WASHER	1	32	3030810	GEAR ASSEMBLY	1
12	6406002	CONNECTING ROD	1	33	1322401	BATTERY PACK	1
13	5670401	RUBBER CUSHION	1	34	1423701	BATTERY CHARGER	1
14	6829603	NEEDLE ROLLER BEARING	1	35	6800201	5 mm HEX KEY	1
15	6617001	* SCREW (M10 X 10 mm)	1	36	5621903	CONTACT PLATE STOPPER	1
16	6900101	CONNECTING BUSHING	1	37	9426307	LOGO PLATE (NOT SHOWN)	1
17	6900901	PIN	1	38	9427003	DATA PLATE (NOT SHOWN)	1
18	6900401	SLIDE BUSHING	1	39	5832801	CARRYING CASE (NOT SHOWN)	1
19	6900402	SLIDE BUSHING	1	40	6929201	* SAW BLADE - METAL (NOT SHOWN)	1
20	9031034	FIBER SHEET	1	41	6929101	* SAW BLADE - WOOD (NOT SHOWN)	1
21	3030906	SLIDING ROD AND BLADE CLAMP ASSEMBLY	1		972000-920	OPERATOR'S MANUAL	
					972000-920R	REPAIR SHEET	
					9-22-03		

**WARNING: Improper repair of a double insulated tool can result in damage to the double insulation system possibly causing electrical shock or electrocution. Any repairs requiring disassembly of your tool requires safety testing and should only be performed by a Ryobi Authorized Service Center. For the service center nearest you call 1-800-525-2579.**

\* Standard Hardware Item – May Be Purchased Locally



## WIRING DIAGRAM