

RYOBI R162-1K

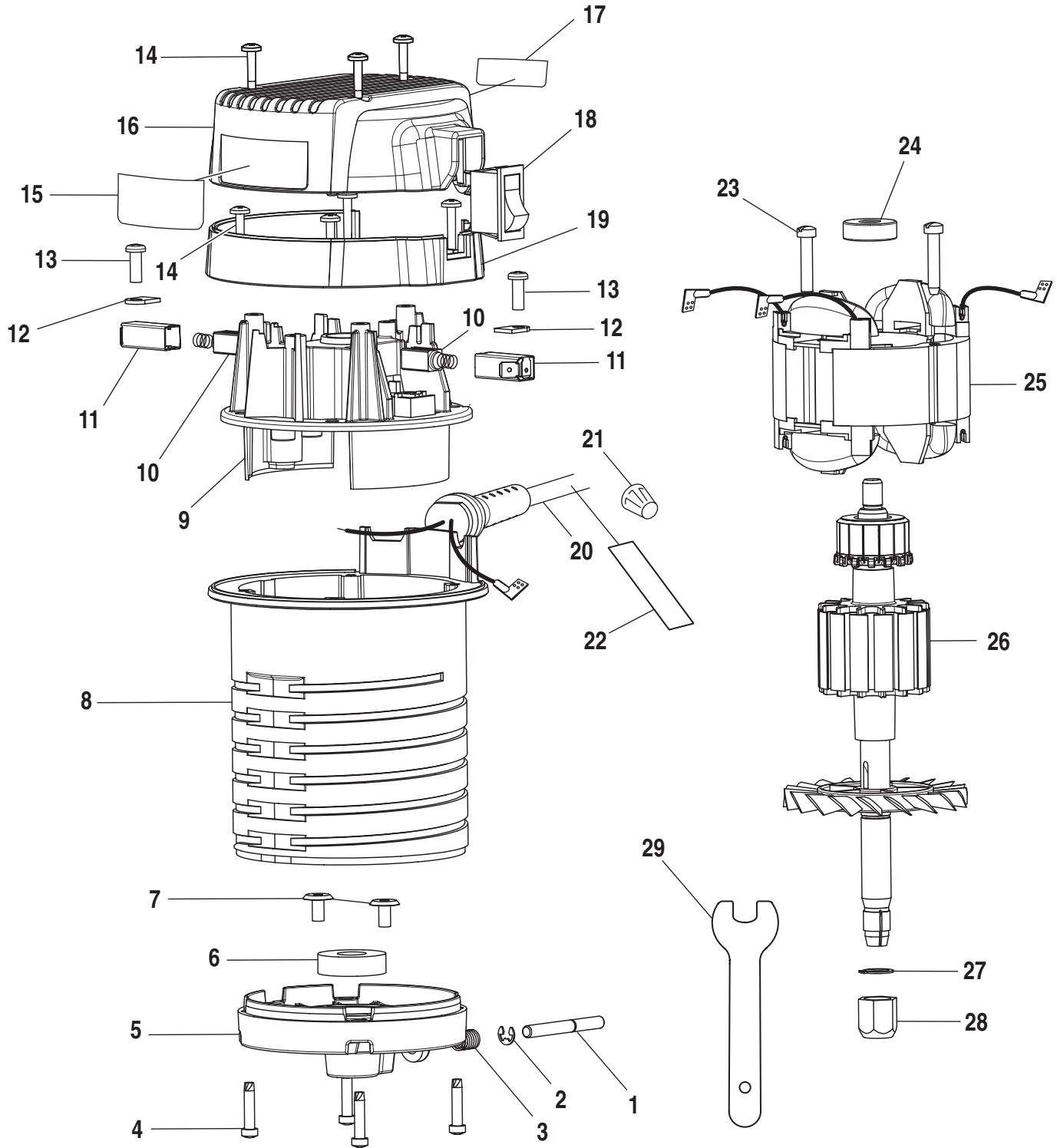
ROUTER

MODEL NOS.

R1801M1, R181FB1

REPAIR SHEET

RYOBI ROUTER MOTOR – MODEL NUMBER R1801M1



WARNING: Improper repair of a double insulated tool can result in damages to the double insulation system possibly causing electrical shock or electrocution. Any repairs requiring disassembly of your tool requires safety testing and should only be performed by a Ryobi Authorized Service Center. For the service center nearest you call 1-800-525-2579.

RYOBI ROUTER MOTOR – MODEL NUMBER R1801M1

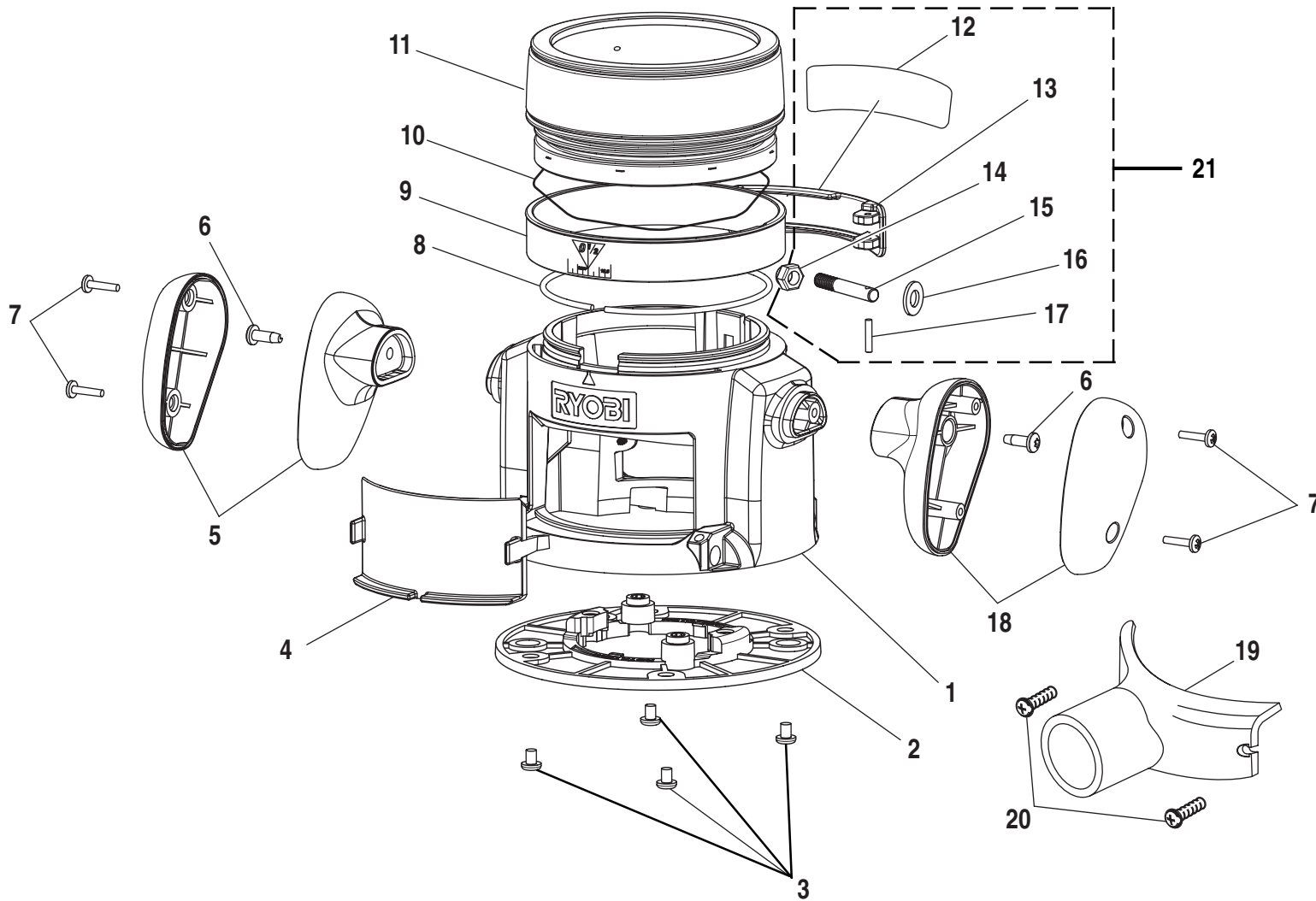
The model number will be found on a plate attached to the motor housing. Always mention the model number in all correspondence regarding your **ROUTER** or when ordering repair parts.

PARTS LIST

KEY NO.	PART NUMBER	DESCRIPTION	QTY.
1	671457001	SHAFT LOCK PIN	1
2	671245001	E-RING	1
3	690141001	SHAFT LOCK SPRING	1
4	660133007	* SCREW (8-18 X 3/4 in. PAN HD.)	4
5	640724002	BEARING FRAME	1
6	680769003	BALL BEARING	1
7	660324001	* SCREW (10-32 x 3/8 in. WAFER HD.)	2
8	511986001	MOTOR HOUSING	1
9	511982001	TOP BEARING PLATE	1
10	200233001	BRUSH W/SPRING	2
11	630081001	BRUSH TUBE	2
12	630801001	BRUSH TUBE CLAMP	2
13	660138001	* SCREW (8-16 X 1/2 in. PAN HD.)	2
14	660103001	* SCREW (8-10 X 3/4 in. PAN HD.)	7
15	940114114	LOGO PLATE	1
16	512013001	UPPER TOP CAP	1
17	940301018	DATA PLATE	1
18	760357001	ROCKER SWITCH	1
19	342019002	LOWER TOP CAP	1
20	730377005	CORD	1
21	870126002	WIRE NUT	1
22	940299509	CORD LABEL	1
23	660062004	* SCREW (10-16 X 1 in. FIL. HD.)	2
24	680966001	BALL BEARING	1
25	200290001	FIELD ASSEMBLY	1
26	740606002	ARMATURE	1
27	671399001	RETAINING RING	1
28	690190002	COLLET NUT	1
29	671250001	WRENCH	1
	983000446	OPERATOR'S MANUAL (960931003)	

* Standard Hardware Item – May Be Purchased Locally

RYOBI ROUTER FIXED BASE – MODEL NUMBER R181FB1



WARNING: Improper repair of a double insulated tool can result in damages to the double insulation system possibly causing electrical shock or electrocution. Any repairs requiring disassembly of your tool requires safety testing and should only be performed by a Ryobi Authorized Service Center. For the service center nearest you call 1-800-525-2579.

RYOBI ROUTER FIXED BASE – MODEL NUMBER R181FB1

The model number will be found on a plate attached to the base. Always mention the model number in all correspondence regarding your **ROUTER** or when ordering repair parts.

PARTS LIST

KEY NO.	PART NUMBER	DESCRIPTION	QTY.
1	200246001	BASE W/PIN	1
2	200247001	SUBBASE W/INSERTS	1
3	660136001	* SCREW (10-32 X 1/4 in. PAN HD.)	4
4	512022001	CHIP SHIELD	1
5	200235001	HANDLE ASSEMBLY	1
6	660062005	* SCREW (10-24 X 9/16 in. TORX PAN HD.)	2
7	660161001	* SCREW (8-10 X 5/8 in. PAN HD.)	4
8	511990001	SPLINE	1
9	341975002	ZERO RESET RING	1
10	511991001	RESET RING SPRING	1
11	512021001	DEPTH ADJUSTMENT RING	1
12	940347002	INFORMATION PLATE	1
13	200248001	LEVER W/INFORMATION PLATE	1
14	671243001	* HEX LOCK NUT (1/4-20)	1
15	671260001	LEVER PIN	1
16	631123001	WASHER	1
17	671247001	NEEDLE ROLLER PIN	1
18	200244001	RIGHT HANDLE SET	1
19	512023001	DUST NOZZLE (OPTIONAL FOR R1621)	1
20	660284004	* SCREW (6-32 x 3/8 in. PAN HD.) (OPTIONAL FOR R1621)	2
21	000727007	LOCK LEVER REPAIR KIT	1

* Standard Hardware Item – May Be Purchased Locally