

RYOBI

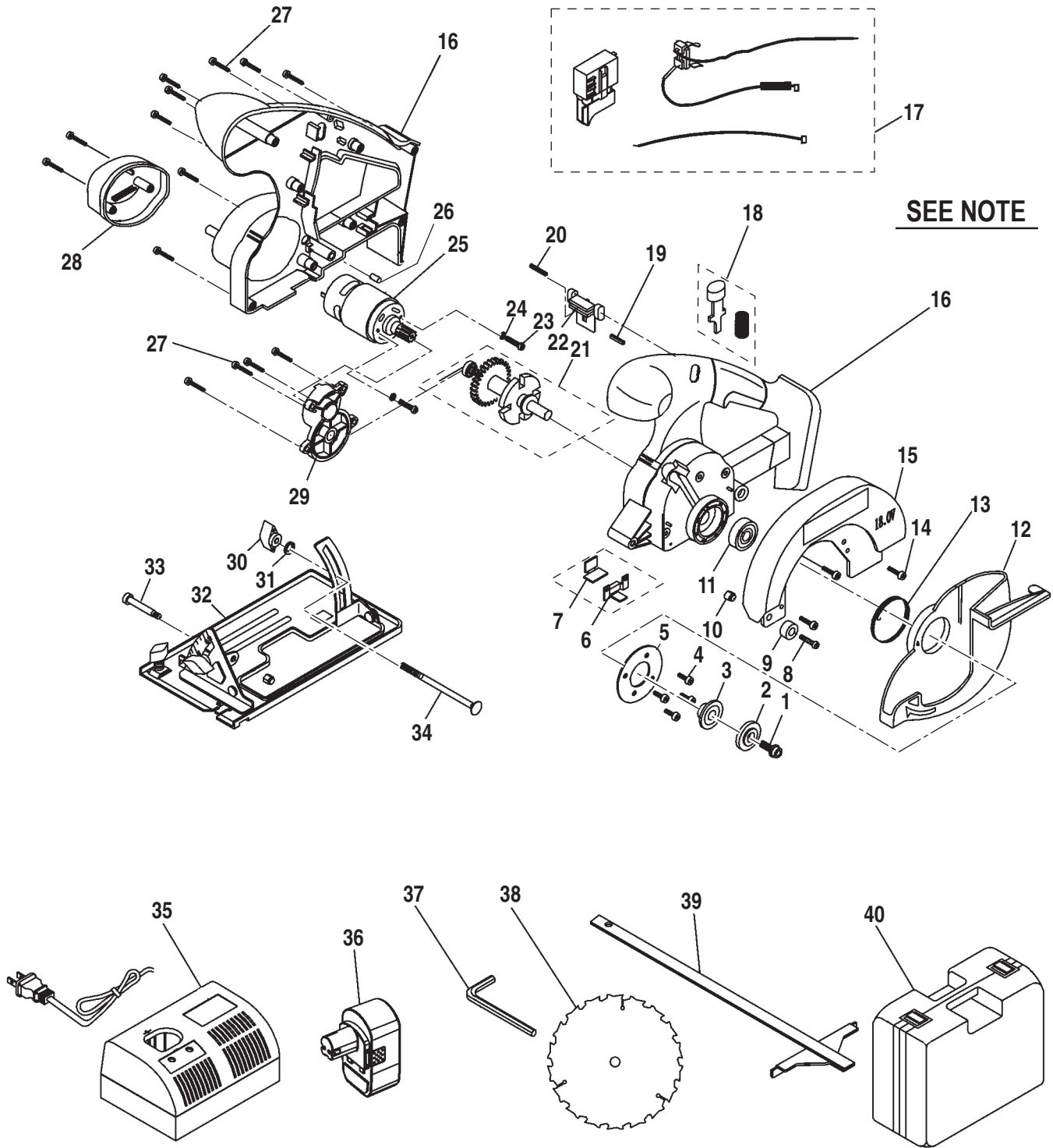
5-1/2 in. (140 mm)

18 VOLT CORDLESS CIRCULAR SAW

MODEL NO. R10633

REPAIR SHEET

RYOBI 18 VOLT CORDLESS CIRCULAR SAW – MODEL NUMBER R10633



NOTE: The assembly shown represents an important part of the double insulated system. To avoid the possibility of alteration or damage to the system, service should be performed by your nearest Ryobi Authorized Service Center. For the service center nearest you call 1-800-525-2579.

RYOBI 18 VOLT CORDLESS CIRCULAR SAW – MODEL NUMBER R10633

The model number will be found on a plate attached to the motor housing. Always mention the model number in all correspondence regarding your **CIRCULAR SAW** or when ordering repair parts.

PARTS LIST

Key No.	Part Number	Description	Qty.
1	6614401	* SCREW (M6 X 16 mm)	1
2	6112101	OUTER BLADE CLAMP	1
3	6112004	INNER BLADE WASHER	1
4	6600506	BEARING RETAINER SCREW	4
5	6850303	BEARING RETAINER	1
6	6322602	COVERING PLATE (0.5 mm)	1
7	9030308	SEALING PAD	1
8	6619302	BUMPER SCREW	1
9	5217802	BUMPER	1
10	6797401	LOCKNUT	2
11	6807001	BALL BEARING	1
12	5599404	LOWER PLASTIC GUARD	1
13	6867201	TORSION SPRING	1
14	6620501	* SCREW (M3)	3
15	6456803	UPPER BLADE GUARD	1
16	984356-001	HOUSING ASSEMBLY	1
17	2701131	SWITCH ASSEMBLY	1
18	3033215	SHAFT LOCK	1
19	6763101	SPRING PIN	1
20	6799802	SPRING	1
21	3000339	OUTPUT SHAFT ASSEMBLY	1
22	5217310	KNOB	1
23	6621204	* SCREW (M4 X 16 mm)	2
24	6703001	SPRING WASHER	2
25	2303328	MOTOR ASSEMBLY	1
26	5621901	CONTACT PLATE STOPPER	1
27	6620803	* SCREW (M4 X 22 mm)	14
28	5314909	END CAP	1
29	3020811	GEAR CASING ASSEMBLY	1
30	5224501	KNOB	1
31	5228001	WASHER	1
32	3025507	BASE ASSEMBLY	1
33	6614501	* SCREW (M5 X 40 mm)	1
34	6614301	BOLT	1
35	1423701	BATTERY CHARGER	1
36	1322401	BATTERY PACK	1
37	6800201	* HEX KEY	1
38	6797329	* BLADE	1
39	6795708	EDGE GUIDE	1
40	3063658	CARRYING CASE	1
	983000192	OPERATOR'S MANUAL	
	983000192R	REPAIR SHEET (REV:00)	
	10-08-04		

* Standard Hardware Item – May Be Purchased Locally