

**RYOBI**

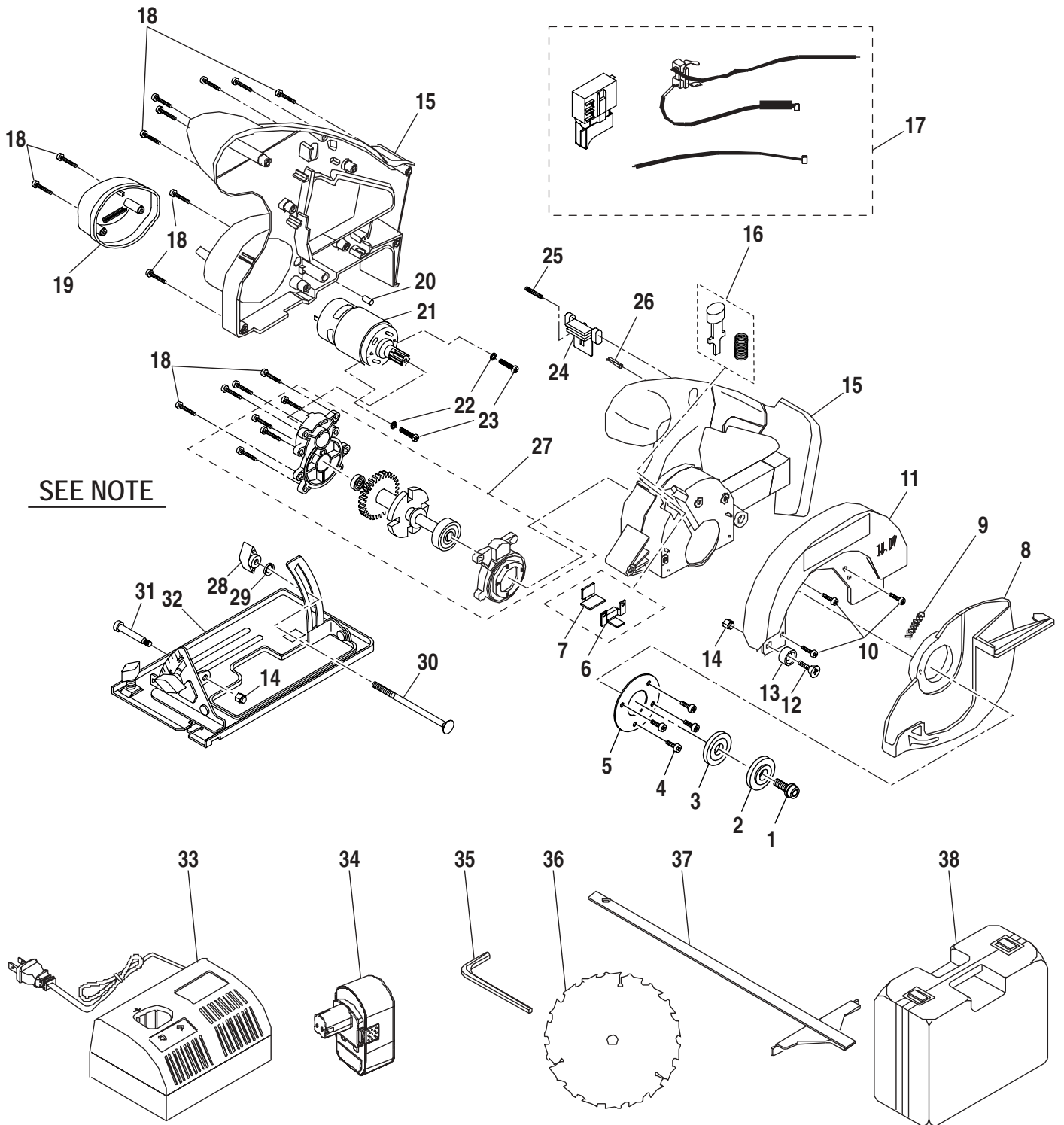
**5-1/2 in. (140 mm)**

**18 VOLT CORDLESS CIRCULAR SAW**

**MODEL NO. R10631**

**REPAIR SHEET**

RYOBI 18 VOLT CORDLESS CIRCULAR SAW – MODEL NUMBER R10631



**NOTE:** The assembly shown represents an important part of the double insulated system. To avoid the possibility of alteration or damage to the system, service should be performed by your nearest Ryobi Authorized Service Center. For the service center nearest you call 1-800-525-2579.

## RYOBI 18 VOLT CORDLESS CIRCULAR SAW – MODEL NUMBER R10631

The model number will be found on a plate attached to the motor housing. Always mention the model number in all correspondence regarding your **CIRCULAR SAW** or when ordering repair parts.

### PARTS LIST

Key No.	Part Number	Description	Qty.
1	6614401	* SCREW (M6 X 16 mm, HEX SOCKET CAP WASHER HEAD) .....	1
2	6112101	OUTER BLADE CLAMP .....	1
3	T610120004	INNER BLADE CLAMP .....	1
4	660211012	SCREW .....	4
5	6850303	COVER PLATE .....	1
6	630226001	COVERING PLATE .....	1
7	900303007	SEALING PAD .....	1
8	5599404	LOWER GUARD .....	1
9	670997001	LOWER GUARD SPRING .....	1
10	6620501	* SCREW (M3 X 14 mm) .....	3
11	6456803	UPPER GUARD .....	1
12	6619302	* SCREW (M5 X 15.5 mm) .....	1
13	5217802	RUBBER STOPPER .....	1
14	6797401	NYLON INSERT NUT (M5) .....	2
15	200112007	HOUSING ASSEMBLY .....	1
16	3033215	SHAFT LOCK ASSEMBLY .....	1
17	2701131	SWITCH ASSEMBLY .....	1
18	6620803	* SCREW (M4 X 22 mm) .....	14
19	360149006	END CAP .....	1
20	5621901	CONTACT PLATE STOPPER .....	1
21	230014022	MOTOR ASSEMBLY .....	1
22	670003001	SPRING WASHER .....	2
23	6621204	* SCREW (M4 X 16 mm) .....	2
24	5217310	SAFETY KNOB .....	1
25	6799802	SAFETY KNOB SPRING .....	1
26	6763101	CARBON SPRING PIN .....	1
27	220016023	GEAR BOX ASSEMBLY .....	1
28	5224501	KNOB .....	1
29	5228001	FLAT WASHER .....	1
30	6614301	* BOLT (M6 X 100 mm) .....	1
31	6614501	* SCREW (M5 X 40 mm) .....	1
32	3025507	BASE ASSEMBLY .....	1
33	140256005	CHARGER .....	1
34	130130017	BATTERY PACK .....	1
35	6800201	HEX KEY .....	1
36	6797309	BLADE .....	1
37	6795708	EDGE GUIDE .....	1
38	3063658	CARRYING CASE .....	1
	972000697	OPERATOR'S MANUAL	
	972000697R	REPAIR SHEET (REV:01)	
	04-18-05		

\* Standard Hardware Item – May Be Purchased Locally