



PLUG-IN LANYARD

P920

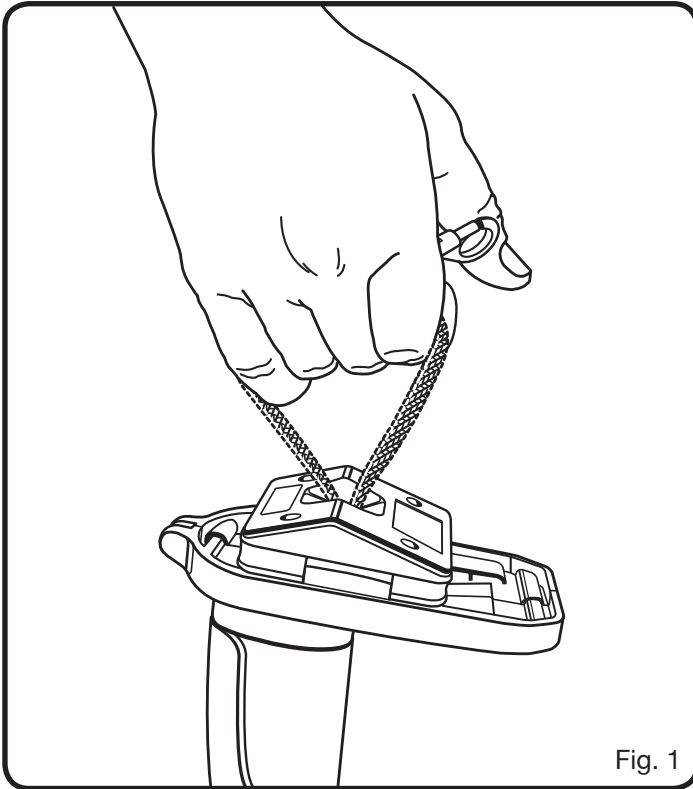


Fig. 1

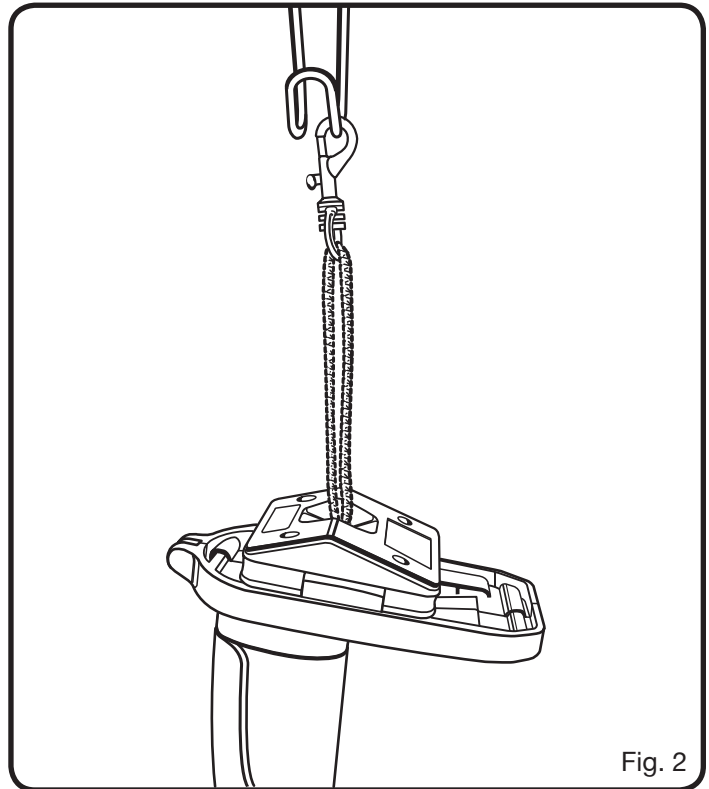


Fig. 2

The plug-in lanyard snaps into the battery compartment of most Ryobi 18 volt portable hand-held tools and provides a convenient method of storage and transportation, as shown above in Figures 1 and 2.

CAUTION:

Remove any blades, bits, or other sharp objects from the tool before attempting to store or carry with the plug-in lanyard. Do not use the lanyard with larger tools such as miter saws. Use the lanyard only in Ryobi brand tools.

TO INSTALL:

See Figure 3.

- Remove battery pack from tool, if necessary.
- Insert lanyard stem into tool's battery compartment and press until latches click.

TO REMOVE:

- Squeeze tabs on the sides of lanyard to disengage latches.
- Remove lanyard from tool.

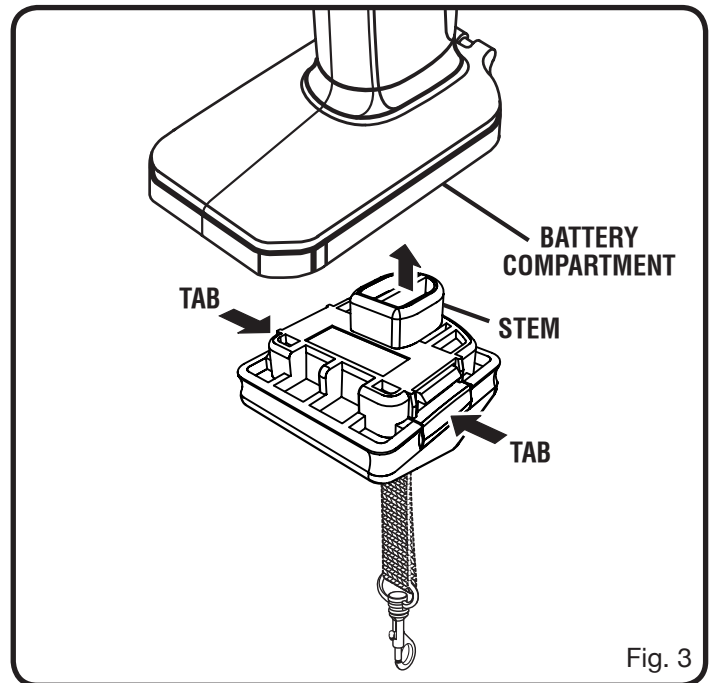


Fig. 3

RYOBI TECHNOLOGIES, INC.

1428 Pearman Dairy Road, Anderson, SC 29625
Post Office Box 1207, Anderson, SC 29622-1207
Phone 1-800-525-2579
www.ryobitools.com