



LARGE TOOLBOX

P910

The Ryobi large rolling toolbox is a great way to keep your hand tools organized, accessible, neatly stored, and ready to transport. Its large storage capacity accommodates a wide variety of tools and accessories.

Adjustable dividers inside the toolbox allow you to customize the storage compartments to fit your specific requirements. Dividers can be raised and fastened into place whenever needed, then unfastened and lowered when a larger storage area is desired.

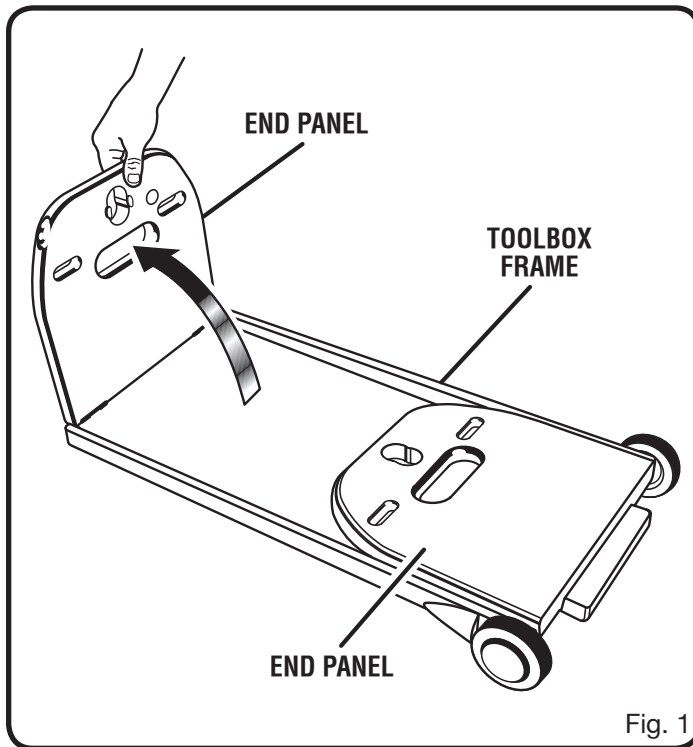
A cover is provided in the Velcro® pocket located on the side of the toolbox. It can be stretched over the top to help protect your tools from dust, debris, and moisture.

Before using the toolbox for the first time, some minor assembly is required.

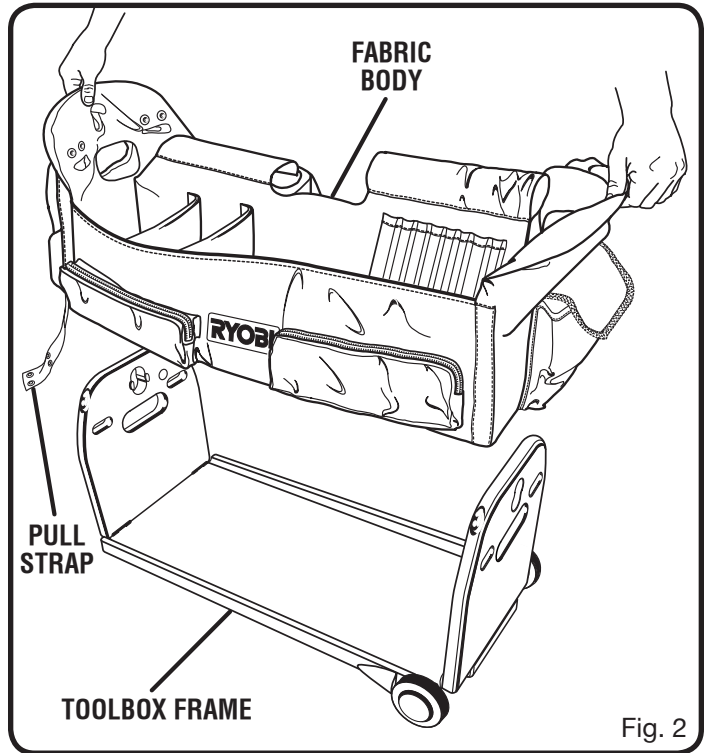
ASSEMBLING THE TOOLBOX:

See Figures 1 - 7.

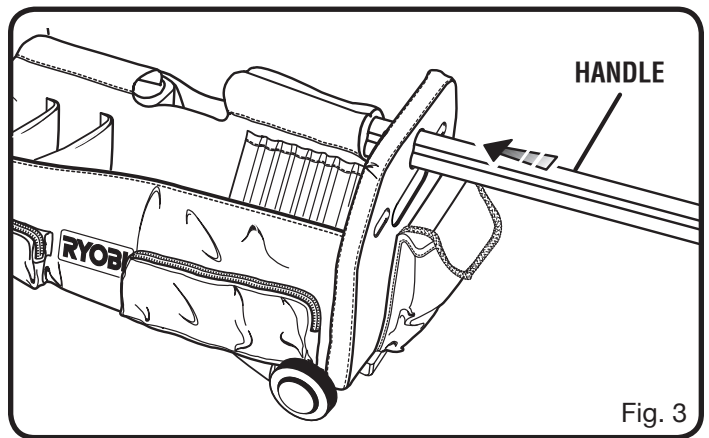
- Raise the toolbox frame's end panels until they are standing straight up.



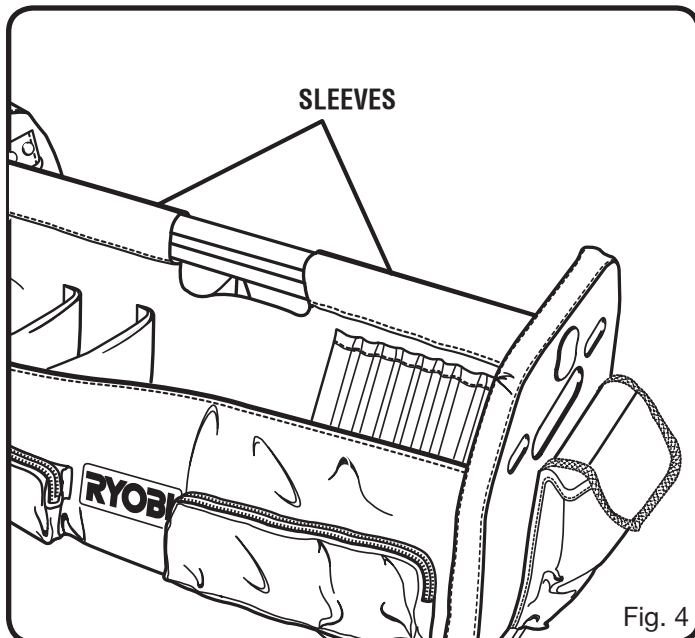
- Lower the fabric body over the toolbox frame. Make sure the pull strap is positioned on the side opposite the wheels.



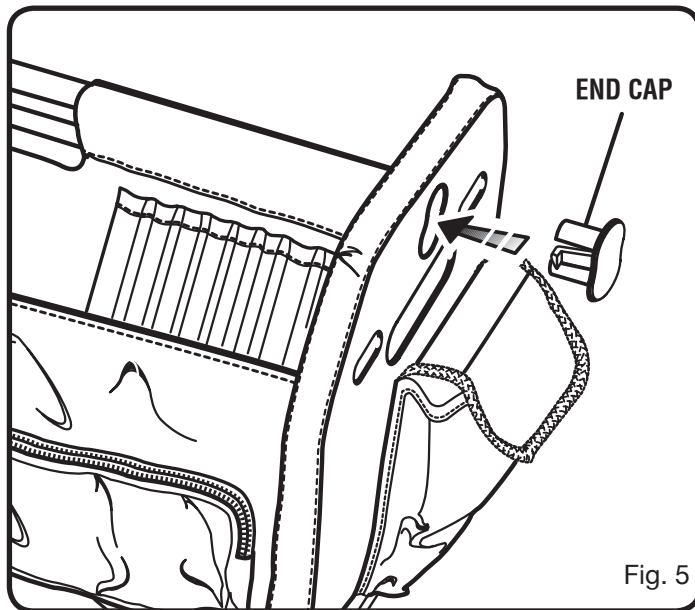
- Insert the toolbox handle through the vertical opening located on the end panel of the toolbox frame.



- Thread handle through the sleeves in the center divider section and seat in the vertical opening on the opposite side of the frame.



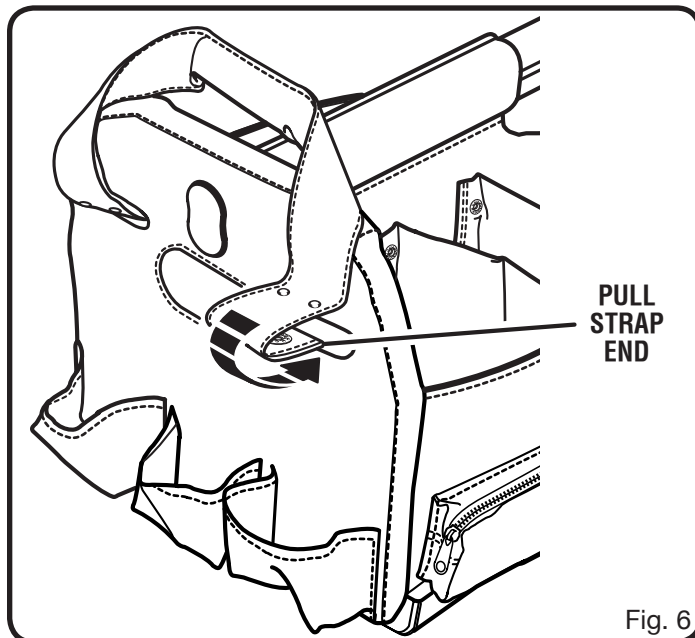
- Secure the handle to the toolbox frame using the end caps provided. While holding the handle firmly, seat end cap on handle end and apply pressure until it snaps into place. Repeat with other end cap.



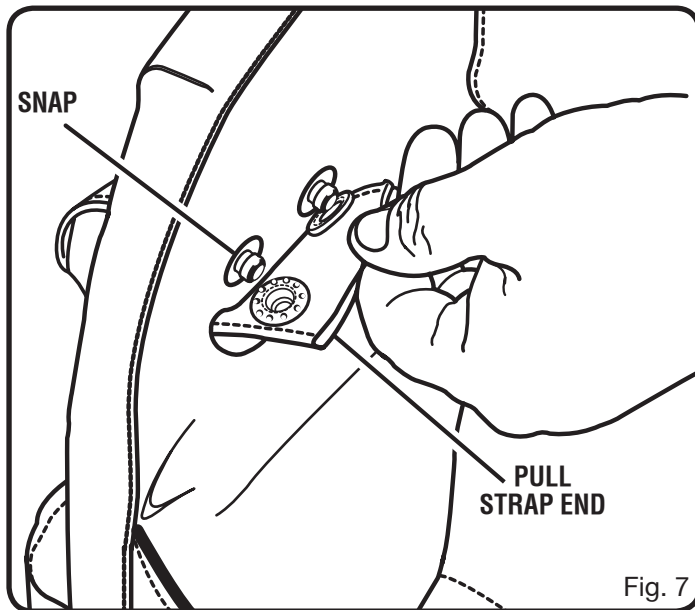
⚠ WARNING:
To prevent possible serious injury, do not sit or stand on the toolbox.

⚠ WARNING
To avoid possible back or lifting injury, use proper lifting techniques and do not attempt to lift an excessive amount.

- Slide the ends of the pull strap through the holes on the toolbox frame.



- Secure pull strap by fastening end to snaps located on inside of toolbox.



⚠ WARNING
If carrying a loose battery pack in toolbox, keep it away from paper clips, coins, keys, nails, screws, or other small metal objects that can make a connection from one terminal to another. Shorting the battery terminals together may cause sparks, burns, or a fire.

RYOBI TECHNOLOGIES, INC.

1428 Pearman Dairy Road, Anderson, SC 29625
Post Office Box 1207, Anderson, SC 29622-1207
Phone 1-800-525-2579 • www.ryobitools.com