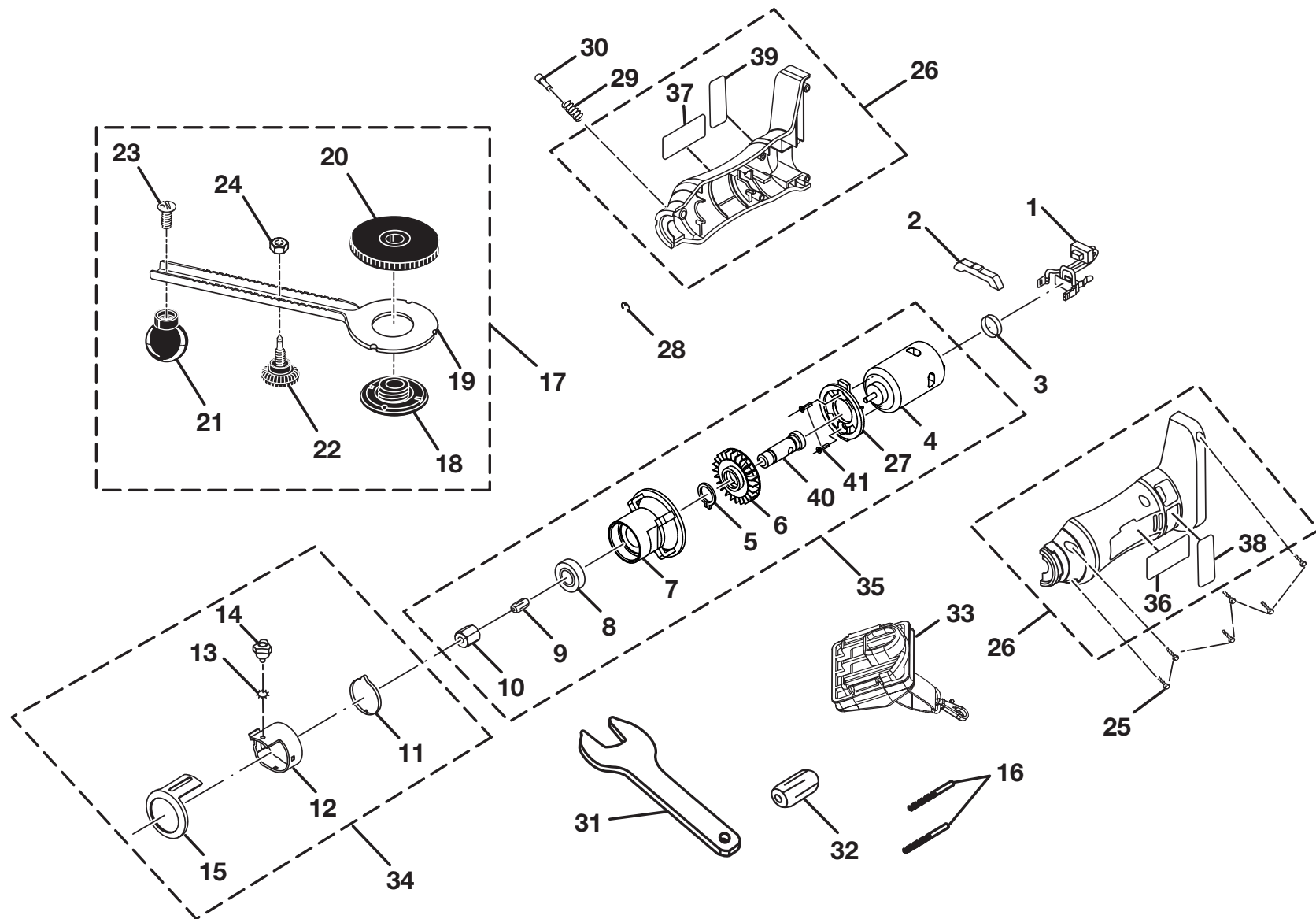


**RYOBI
SPEED SAW
MODEL NO. P530
REPAIR SHEET**

RYOBI SPEED SAW – MODEL NUMBER P530



WARNING: Improper repair of a double insulated tool can result in damage to the double insulation system possibly causing electrical shock or electrocution. Any repairs requiring disassembly of your tool requires safety testing and should only be performed by a Ryobi Authorized Service Center. For the service center nearest you call 1-800-525-2579.

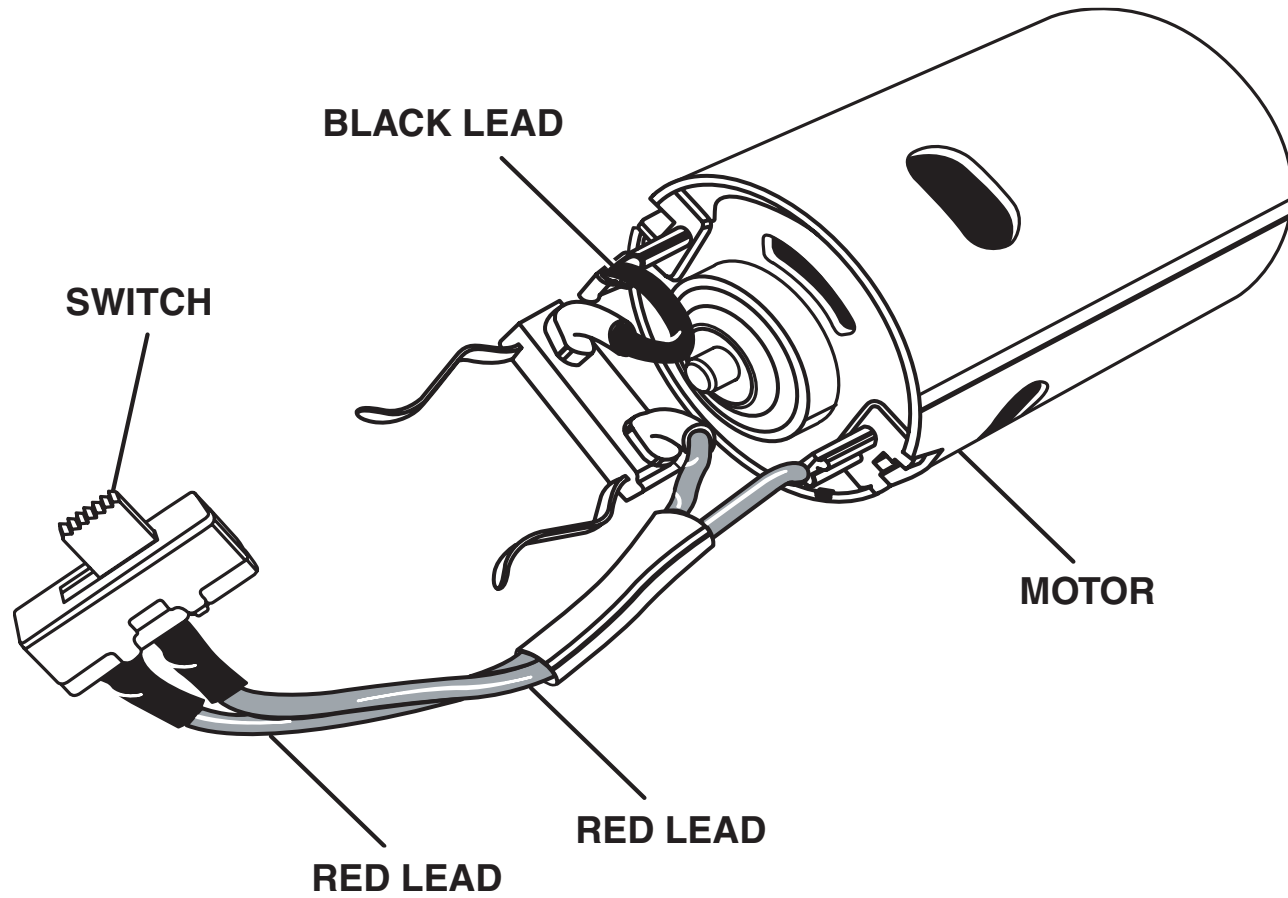
RYOBI SPEED SAW – MODEL NUMBER P530

The model number will be found on a plate attached to the motor housing. Always mention the model number in all correspondence regarding your **SPEED SAW** or when ordering repair parts.

PARTS LIST

KEY NO.	PART NUMBER	DESCRIPTION	QTY	KEY NO.	PART NUMBER	DESCRIPTION	QTY
1	270017063	SWITCH ASSEMBLY	1	23	6633701	* SCREW (1/4 in. X 12).....	1
2	3900201	SWITCH KNOB	1	24	6633801	NUT	1
3	5991501	MOTOR RING (BACK)	1	25	6620805	* SCREW (M4 X 16 mm)	6
4	7439401	MOTOR	1	26	200006012	HOUSING ASSEMBLY (INC. 36-39)	1
5	690026002	RETAINING RING	1	27	640912001	MOTOR MOUNTING BRACKET	1
6	513071001	FAN	1	28	6725101	E-RING	1
7	640911001	BEARING HOLDER	1	29	6723101	SPRING.....	1
8	6904201	BALL BEARING (NSK).....	1	30	6722901	LOCK PIN.....	1
	691067001	BALL BEARING (CW)	1	31	6960401	WRENCH	1
9	6904401	COLLET (1/8 in.)	1	32	6904501	COLLET (1/4 in.)	1
10	6904301	COLLET NUT	1	33	200292003	PLUG-IN LANYARD	1
11	6960101	SLEEVE SPRING.....	1	34	300597002	DEPTH GUIDE ASSEMBLY (INC. 11-15)	1
12	6960201	BASE SLEEVE.....	1	35	300707004	MOTOR & SHAFT ASSEMBLY (INC. 4-10, 27, 40-41).....	1
13	6725201	LOCK WASHER	1	36	940303195	DATA LABEL	1
14	3031704	KNOB ASSEMBLY	1	37	940263138	LOGO LABEL.....	1
15	6960301	BASE PLATE	1	38	940230094	WARNING LABEL	1
16	670233003	1/8 in. PLOTTED DRYWALL CUT BIT	1	39	940230093	WARNING LABEL	1
	670233005	1/8 in. NON-PLOTTED DRYWALL CUT BIT	1	40	620215002	OUTPUT SHAFT.....	1
17	1263301	CIRCLE CUTTER ASSEMBLY (INC. 18-24)	1	41	660441001	SCREW (M5 X 7 mm)	2
18	5924301	ROUND ADAPTOR	1		983000512	OPERATOR'S MANUAL (960223358)	
19	6946901	CIRCLE CUTTER ARM	1		983000512R	REPAIR SHEET (REV:01)	
20	5924401	THREADED KNOB	1		04-12-05		
21	3031703	KNOB ASSEMBLY	1				
22	3068801	PIVOT POINT ASSEMBLY	1				

*** STANDARD HARDWARE ITEM – MAY BE PURCHASED LOCALLY**



WIRING DIAGRAM