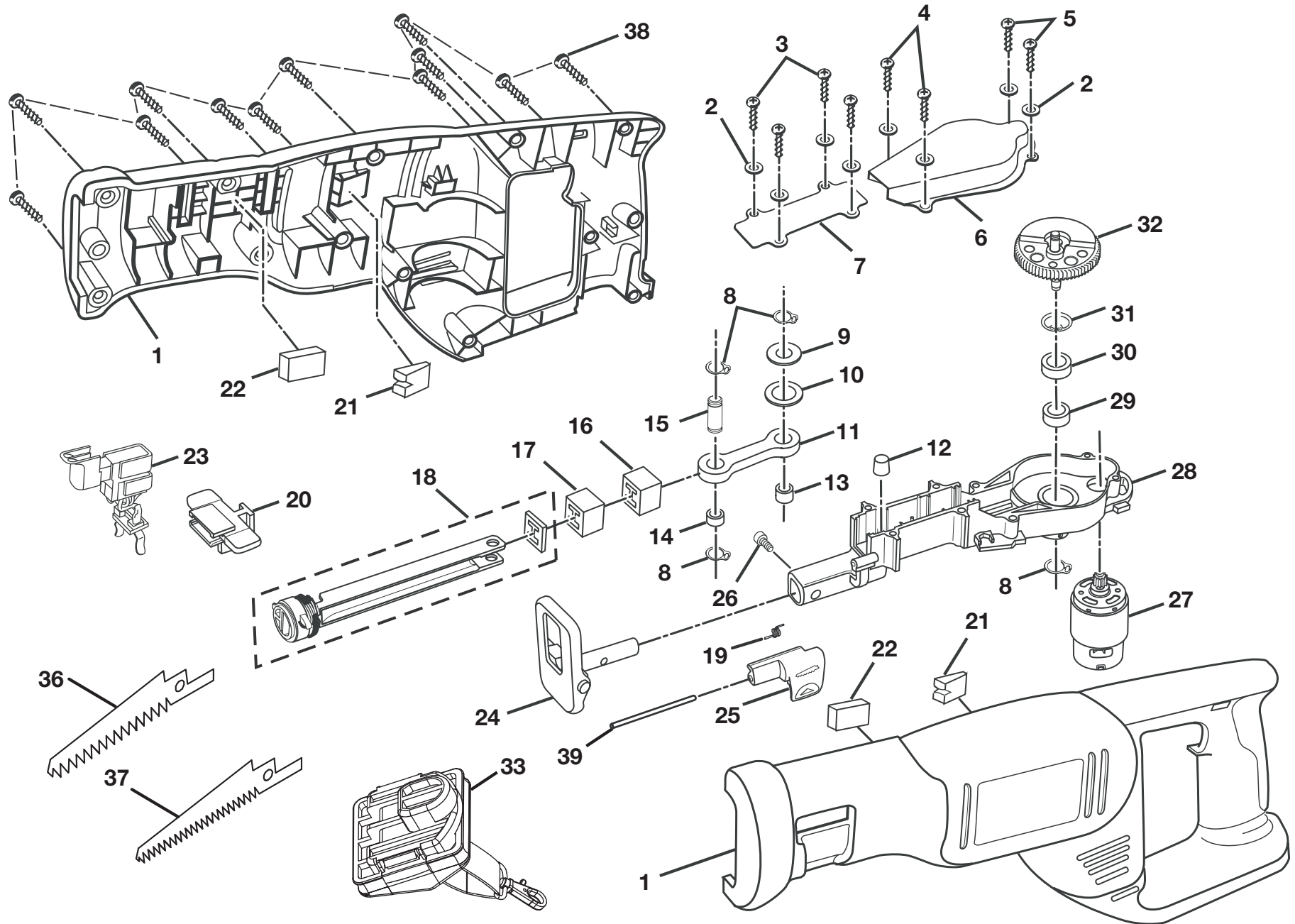


RYOBI
18 VOLT CORDLESS RECIPROCATING SAW
MODEL NO. P510
REPAIR SHEET

RYOBI 18.0 VOLT CORDLESS RECIPROCATING SAW – MODEL NUMBER P510



RYOBI 18.0 VOLT CORDLESS RECIPROCATING SAW – MODEL NUMBER P510

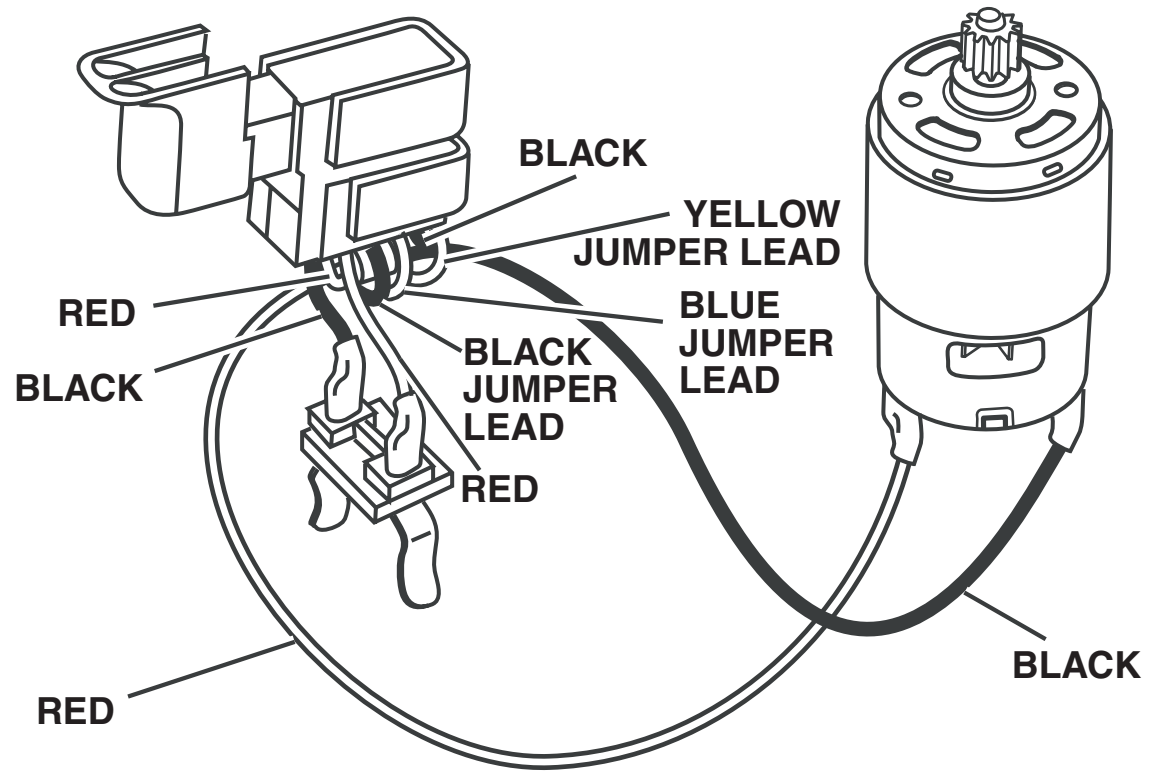
The model number will be found on a plate attached to the motor housing. Always mention the model number in all correspondence regarding your **RECIPROCATING SAW** or when ordering repair parts.

PARTS LIST

KEY NO.	PART NUMBER	DESCRIPTION	QTY	KEY NO.	PART NUMBER	DESCRIPTION	QTY
1	200202291	HOUSING ASSEMBLY	1	22	5670301	RUBBER PAD	2
2	6703001	SPRING WASHER	8	23	270018098	SWITCH ASSEMBLY	1
3	6616503	* SCREW (M4 X 18 mm)	4	24	3021605	SHOE ASSEMBLY	1
4	6621211	* SCREW (M4 X 12 mm)	2	25	300697001	BLADE RELEASE MECHANISM	1
5	6621215	* SCREW (M4 X 28 mm)	2	26	6616926	* SCREW (M6 X 14 mm) W/SPRING WASHER	1
6	6899801	GEAR CASE COVER	1	27	230074002	MOTOR ASSEMBLY	1
7	6900501	SLIDING ROD COVER	1	28	680997006	GEAR CASE SUPPORT	1
8	6770401	RETAINING RING	4	29	6899902	BALL BEARING (696-ZZ)	1
9	6902301	WASHER	1	30	6899901	BALL BEARING (607-ZZ)	1
10	6902401	WASHER	1	31	6902501	RETAINING RING	1
11	6406002	CONNECTING ROD	1	32	3030810	GEAR ASSEMBLY	1
12	5670401	RUBBER CUSHION	1	33	200292003	PLUG-IN LANYARD	1
13	6829603	NEEDLE ROLLER BEARING	1	34	940340001	LOGO PLATE (NOT SHOWN)	1
14	6900101	CONNECTING BUSHING	1	35	940346002	DATA PLATE (NOT SHOWN)	1
15	6900901	PIN	1	36	690291006	SAW BLADE, WOOD CUTTING	1
16	6900401	SLIDE BUSHING	1	37	690292006	SAW BLADE, METAL CUTTING	1
17	6900402	SLIDE BUSHING	1	38	6620805	* SCREW (M4 X 16 mm)	12
18	300309008	SLIDING ROD ASSEMBLY W/QUICK RELEASE	1	39	690476001	PIN	1
19	690475001	TORSION SPRING	1		983000542	OPERATOR'S MANUAL (960223354)	
20	984987001	SAFETY BUTTON W/SPRING	1		983000542R	REPAIR SHEET (REV:00)	
21	5672301	RUBBER WEDGE	2		09-24-04		

WARNING: Improper repair of a double insulated tool can result in damage to the double insulation system possibly causing electrical shock or electrocution. Any repairs requiring disassembly of your tool requires safety testing and should only be performed by a Ryobi Authorized Service Center. For the service center nearest you call 1-800-525-2579.

* Standard Hardware Item – May Be Purchased Locally



WIRING DIAGRAM