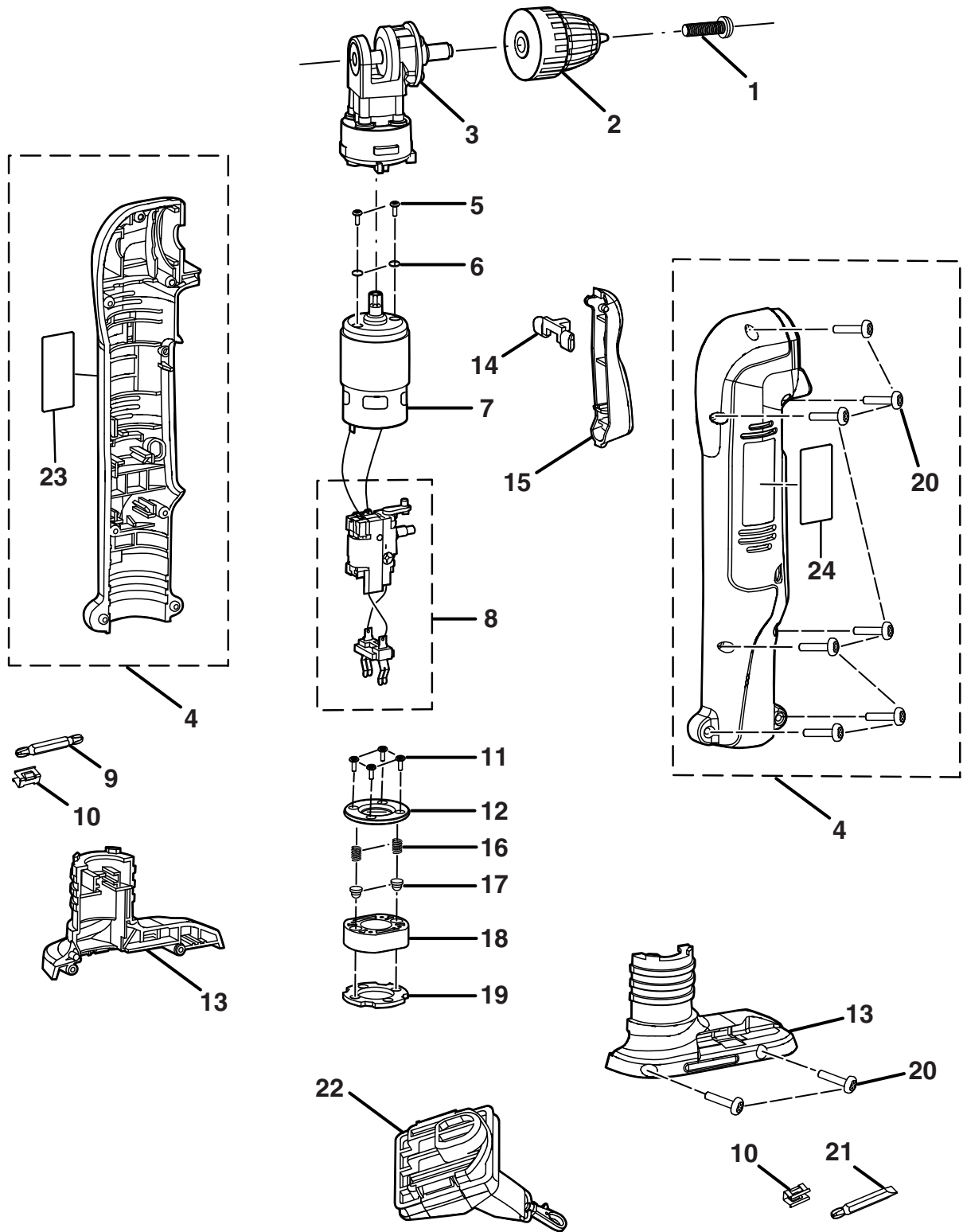


RYOBI
18 VOLT RIGHT ANGLE DRILL
MODEL NO. P240
REPAIR SHEET

RYOBI 18V RIGHT ANGLE DRILL – MODEL NUMBER P240



NOTE: To avoid the possibility of alteration or damage to this product, service should be performed by your nearest Ryobi Authorized Service Center. For the service center nearest you call 1-800-525-2579.

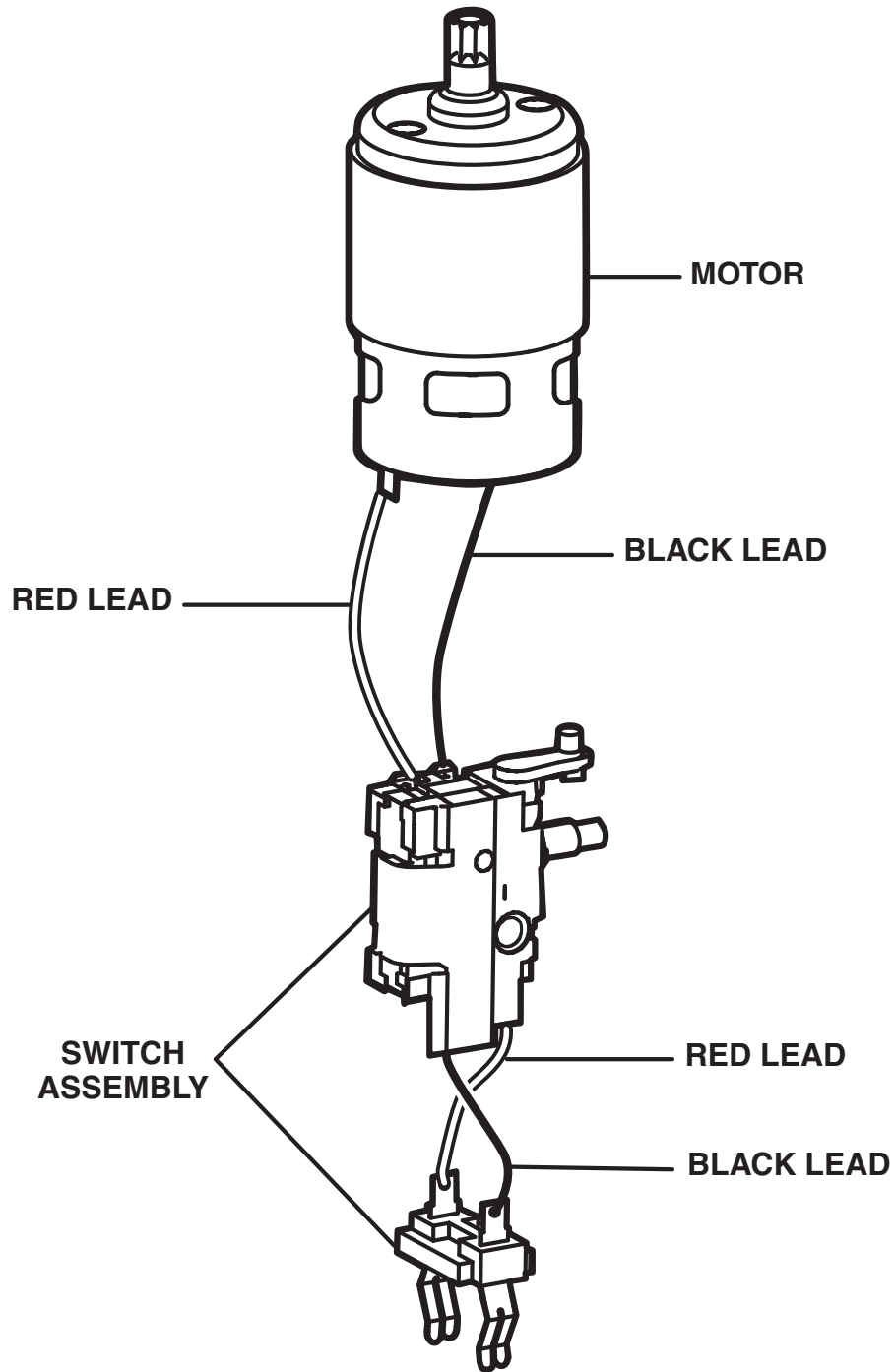
RYOBI 18V RIGHT ANGLE DRILL – MODEL NUMBER P240

The model number will be found on a plate attached to the motor housing. Always mention the model number in all correspondence regarding your **Right Angle Drill** or when ordering repair parts.

PARTS LIST

Key No.	Part Number	Description	Qty.
1	6612003	* SCREW (M5 X 18.5 mm)	1
2	690032015	CHUCK (3/8 in.)	1
3	220017041	GEAR BOX ASSEMBLY	1
4	200202334	HOUSING ASSEMBLY	1
5	6621202	* SCREW (M4 X 10 mm PAN HD.)	2
6	6703001	SPRING WASHER	2
7	230081002	MOTOR ASSEMBLY	1
8	270018078	SWITCH ASSEMBLY	1
9	6782106	BIT (DOUBLE ENDED PH#2, PH#3)	1
10	6320601	BIT CLIP	2
11	660204001	* SCREW (M3 X 10 mm PAN HD.)	4
12	671510001	MOUNTING PLATE	1
13	200305001	SWIVEL FOOT ASSEMBLY	1
14	512697001	FORWARD/REVERSE SELECTOR	1
15	512698001	PADDLE SWITCH TRIGGER	1
16	671624001	SPRING	2
17	671522001	BALL PIN	2
18	512699001	PIVOT HOLDER	1
19	671511001	MOUNTING BASE	1
20	6620805	* SCREW (M4 X 16 mm)	9
21	6782405	BIT (DOUBLE ENDED 6 mm, 7 mm)	1
22	200292003	LANYARD	1
23	940237058	DATA LABEL	1
24	940203046	LOGO LABEL	1
	983000648	OPERATOR'S MANUAL	
	983000648R	REPAIR SHEET (REV:00)	
	01-20-05		

* Standard Hardware Item – May Be Purchased Locally



WIRING DIAGRAM