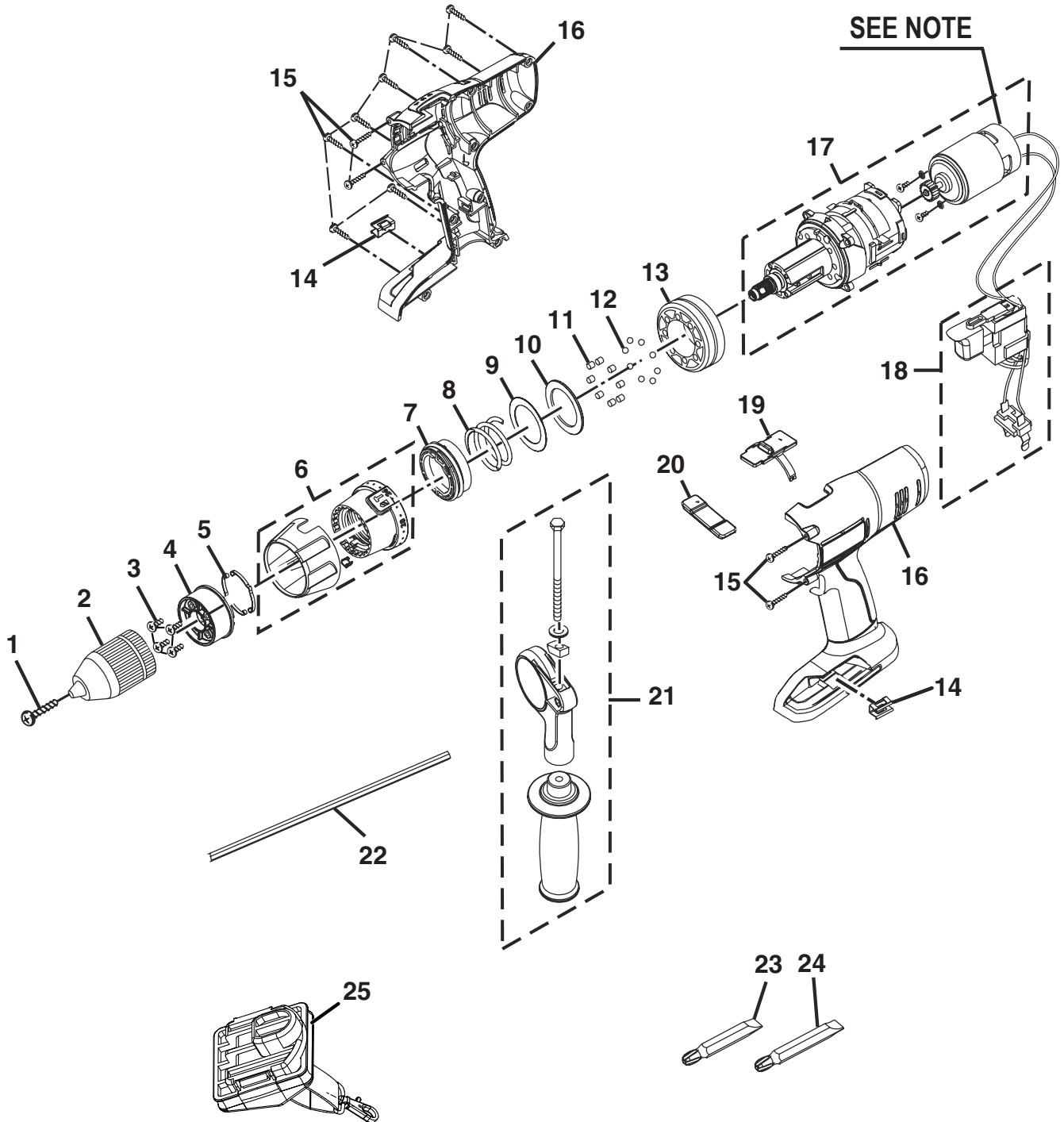


**RYOBI 1/2 in. (13 mm)
18 VOLT THREE SPEED
CORDLESS HAMMER DRILL
MODEL NO. P220
REPAIR SHEET**

RYOBI 1/2 in. (13 mm) CORDLESS HAMMER DRILL – MODEL NUMBER P220



NOTE: The assembly shown represents an important part of the double insulated system. To avoid the possibility of alteration or damage to the system, service should be performed by your nearest Ryobi Authorized Service Center. For the service center nearest you call 1-800-525-2579.

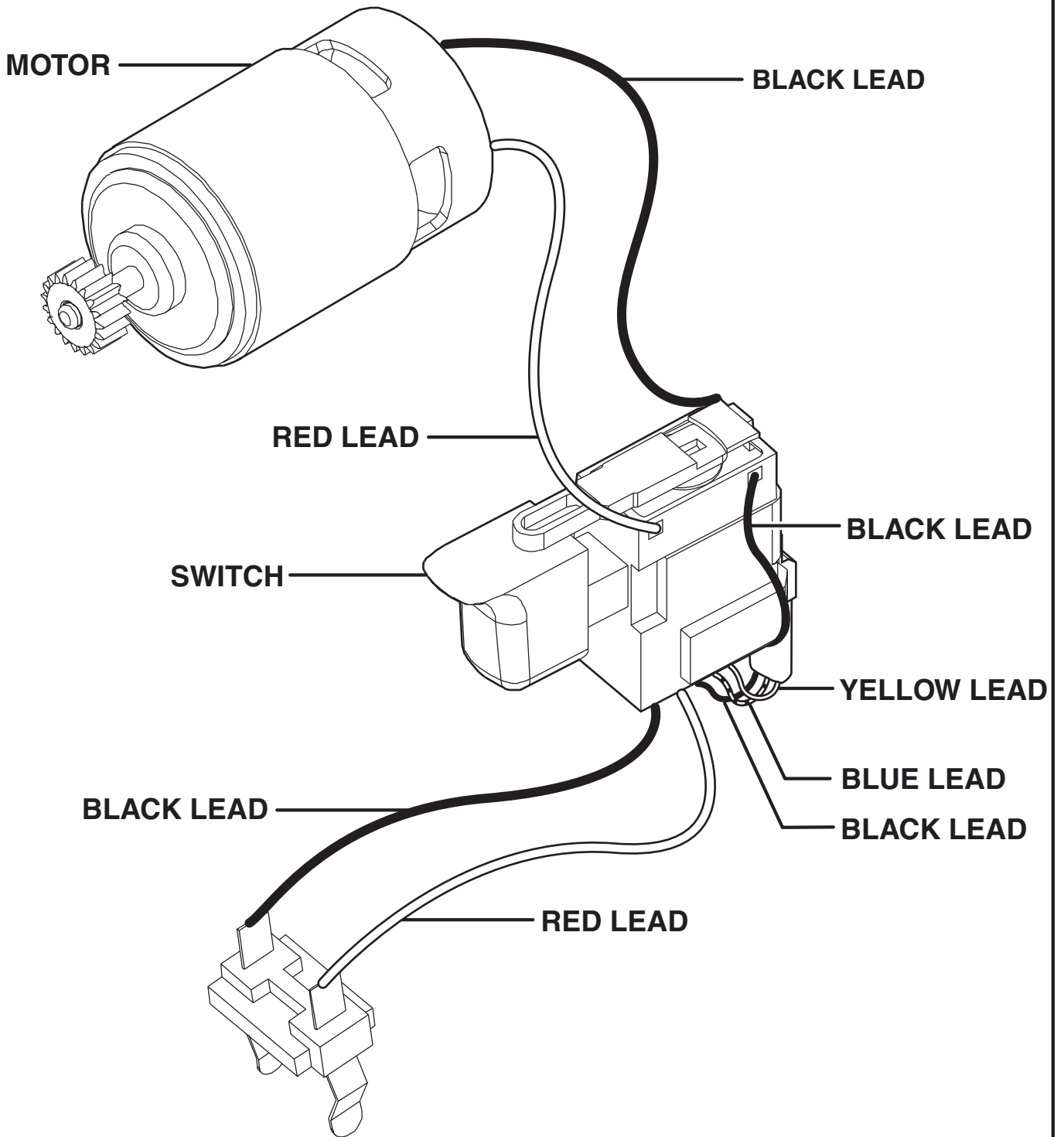
RYOBI 1/2 in. (13 mm) CORDLESS HAMMER DRILL – MODEL NUMBER P220

The model number will be found on a plate attached to the motor housing. Always mention the model number in all correspondence regarding your **Hammer Drill** or when ordering repair parts.

PARTS LIST

Key No.	Part Number	Description	Qty.
1	6613402	* SCREW (M6 X 1.0 X 27 mm NI-PLATE).....	1
2	690032016	CHUCK (1/2 in.)	1
3	660206031	* SCREW (M3.5 X 15 mm)	4
4	640845001	SPRING PLATE HOLDER	1
5	630207005	SPRING PLATE	2
6	300155033	CLUTCH CAP ASSEMBLY \ 010305 24 POSITION	1
7	540343004	PLASTIC SLEEVE	1
8	680095004	SPRING TORQUE CONTROL.....	1
9	630748004	CLUTCH CAP WASHER.....	1
10	680403003	CLUTCH WASHER	1
11	680338008	CLUTCH PIN SUJ 2 (DIA 5 X 23.7 mm)	8
12	6721901	STEEL BALL (5.0 mm).....	8
13	640760003	HANDLE MOUNTING CASTING	1
14	6320601	BIT CLIP.....	2
15	6620805	* SCREW (M4 X 16 mm)	12
16	200202279	HOUSING SET ASSEMBLY W / LABEL	1
17	985142001	MOTOR W/GEAR TRAIN ASSEMBLY	1
18	270016092	SWITCH ASSEMBLY	1
19	511232001	SPEED SELECTOR.....	1
20	540752002	FORWARD/REVERSE BUTTON	1
21	300188022	HANDLE ASSEMBLY.....	1
22	6341203	HEXAGON GUIDE ROD GAUGE W / GEAR.....	1
23	6782044	BIT (PH3 & S7 L50 mm)	1
24	6782045	BIT (PH2 & S6 L50 mm)	1
25	200292003	PLUG-IN LANYARD	1
	983000541	OPERATOR'S MANUAL (960223356)	
	983000541R	REPAIR SHEET (Rev: 00)	
	09-21-04		

* Standard Hardware Item – May Be Purchased Locally



WIRING DIAGRAM