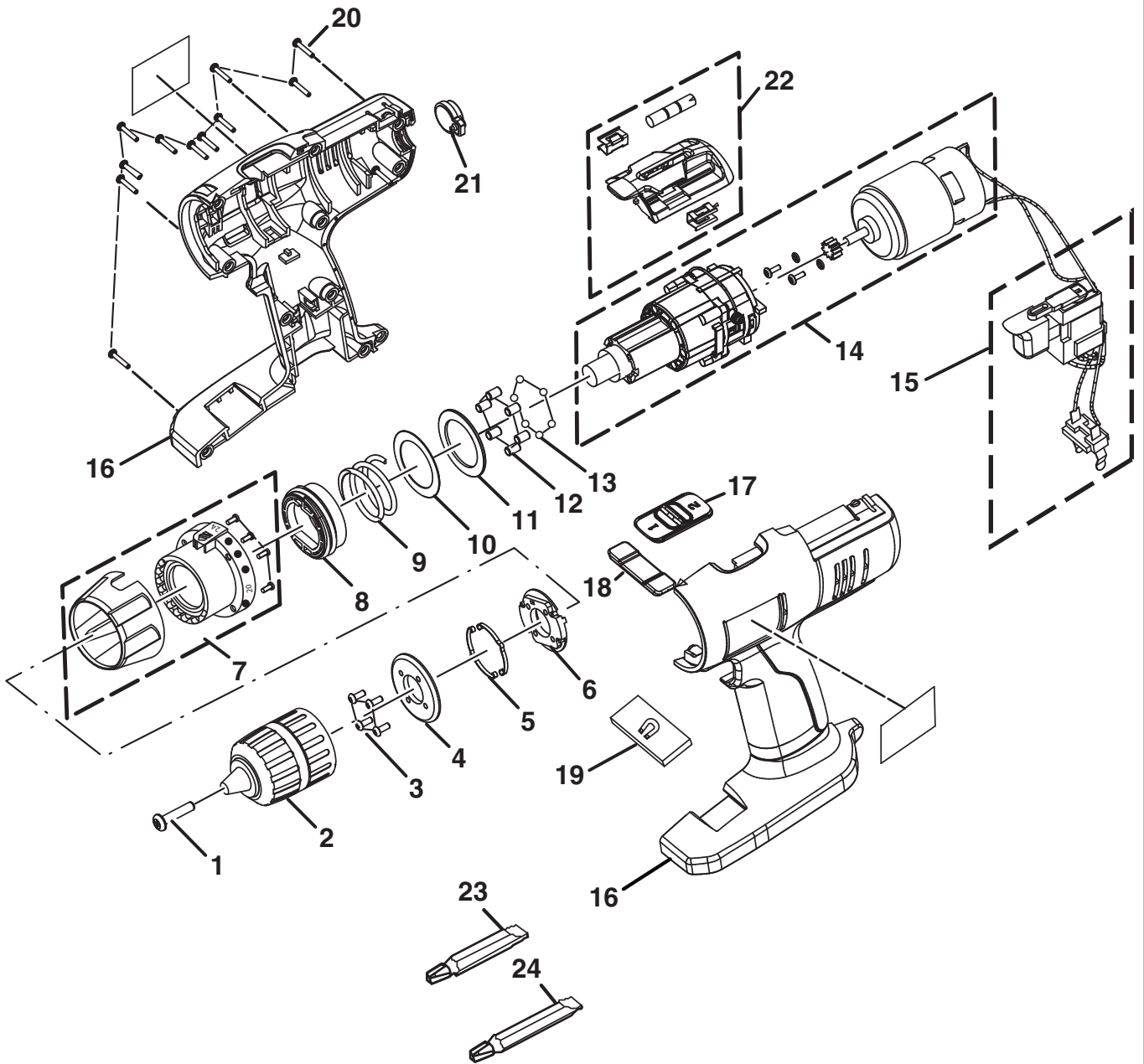


**RYOBI 1/2 in. (13 mm)  
18 VOLT TWO SPEED  
CORDLESS DRILL  
MODEL NO. P200  
REPAIR SHEET**

RYOBI 1/2 in. (13 mm) CORDLESS DRILL – MODEL NUMBER P200



**NOTE:** The assembly shown represents an important part of the double insulated system. To avoid the possibility of alteration or damage to the system, service should be performed by your nearest Ryobi Authorized Service Center. For the service center nearest you call 1-800-525-2579.

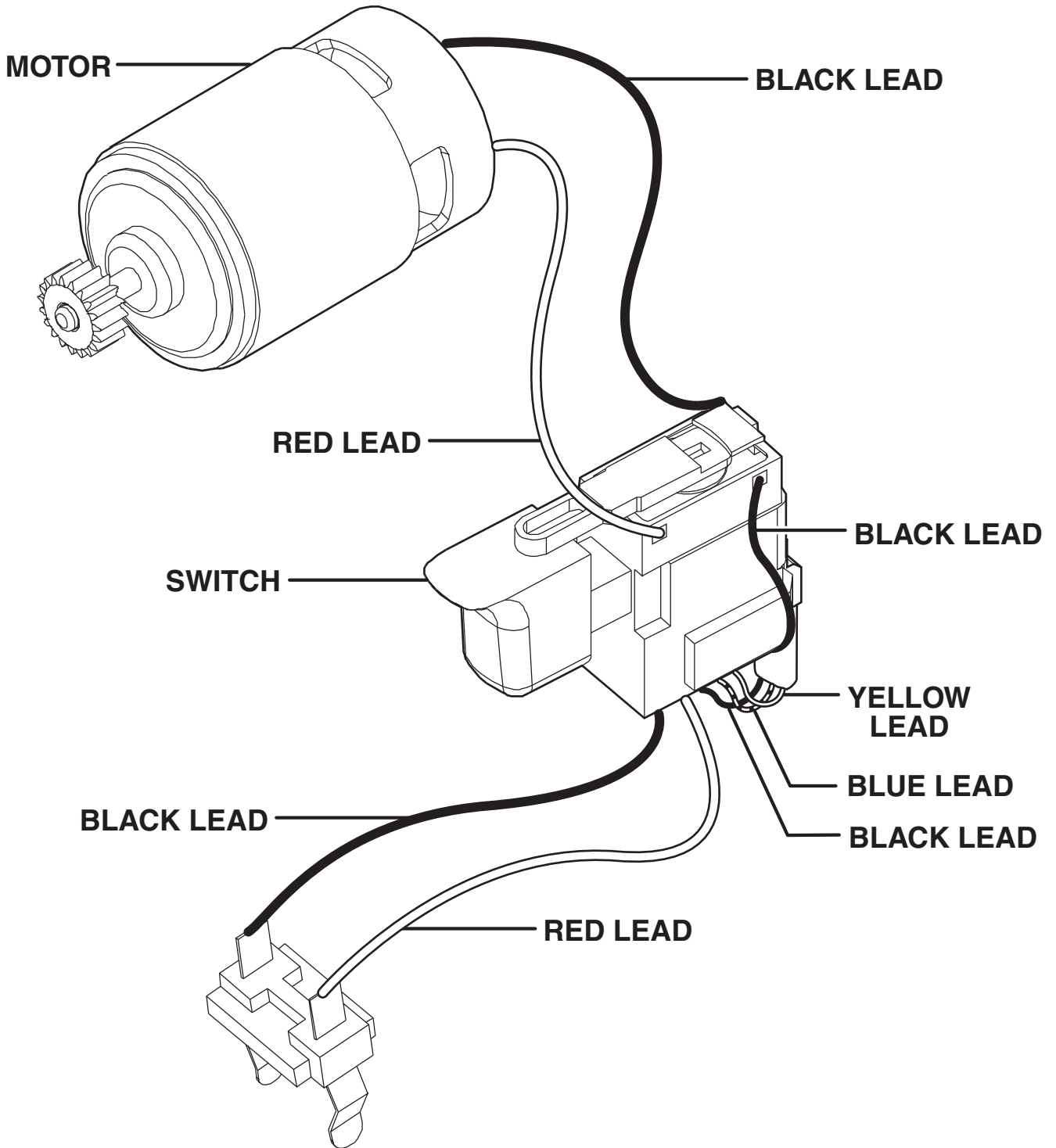
## RYOBI 1/2 in. (13 mm) CORDLESS DRILL – MODEL NUMBER P200

The model number will be found on a plate attached to the motor housing. Always mention the model number in all correspondence regarding your **Drill** or when ordering repair parts.

### PARTS LIST

Key No.	Part Number	Description	Qty.
1	6613402	* SCREW (M6 X 1.0 X 27 mm NI-PLATE) .....	1
2	690032012	CHUCK (1/2 in.) .....	1
3	6620311	* SCREW (M3 X 20 mm) .....	4
4	6359801	MOUNTING PLATE .....	1
5	6399201	SPRING PLATE.....	2
6	5434601	SPRING HOLDER.....	1
7	300155029	CLUTCH CAP ASSEMBLY.....	1
8	5437201	SLEEVE .....	1
9	6843401	TORQUE SPRING .....	1
10	6854701	CLUTCH WASHER .....	1
11	6710501	CLUTCH WASHER .....	1
12	6833802	PIN .....	6
13	6721901	BALL.....	6
14	200293016	MOTOR W / GEAR TRAIN ASSEMBLY .....	1
15	270016075	SWITCH ASSEMBLY .....	1
16	200202278	HOUSING ASSEMBLY W / LABEL .....	1
17	370753002	2-SPEED -LEVER .....	1
18	5475201	F/R LEVER.....	1
19	6000303	MAGNET .....	1
20	6620614	* SCREW (M3.5 X 14 mm) .....	11
21	3048001	REAR BUBBLE LEVELER .....	1
22	300034004	BIT STORAGE & LEVELER ASSEMBLY .....	1
23	6782044	DOUBLE BIT, PH 3 S7 .....	1
24	6782045	DOUBLE BIT, PH 2 S6 .....	1
25	130255004	BATTERY (NOT SHOWN) .....	1
	130224028	BATTERY (NOT SHOWN) .....	1
26	140237023	CHARGER (NOT SHOWN).....	1
	983000510	OPERATOR'S MANUAL (960223433)	
	983000510R	REPAIR SHEET (REV: 00)	
	02-25-05		

\* Standard Hardware Item – May Be Purchased Locally



**WIRING DIAGRAM**