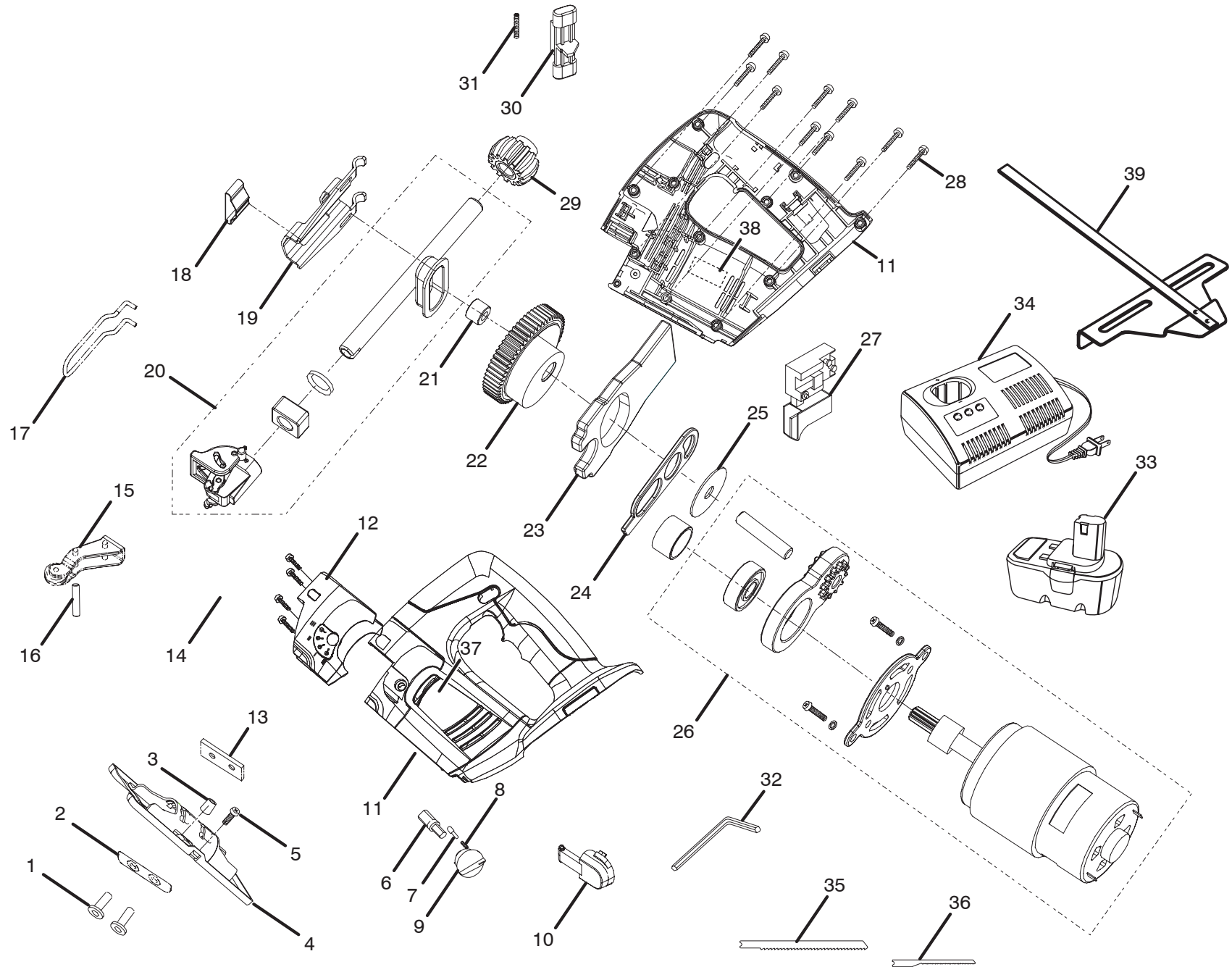


**RYOBI
ORBITAL JIG SAW
MODEL NO. OJ1802
REPAIR SHEET**

RYOBI ORBITAL JIG SAW – MODEL NUMBER OJ1802



RYOBI ORBITAL JIG SAW – MODEL NUMBER OJ1802

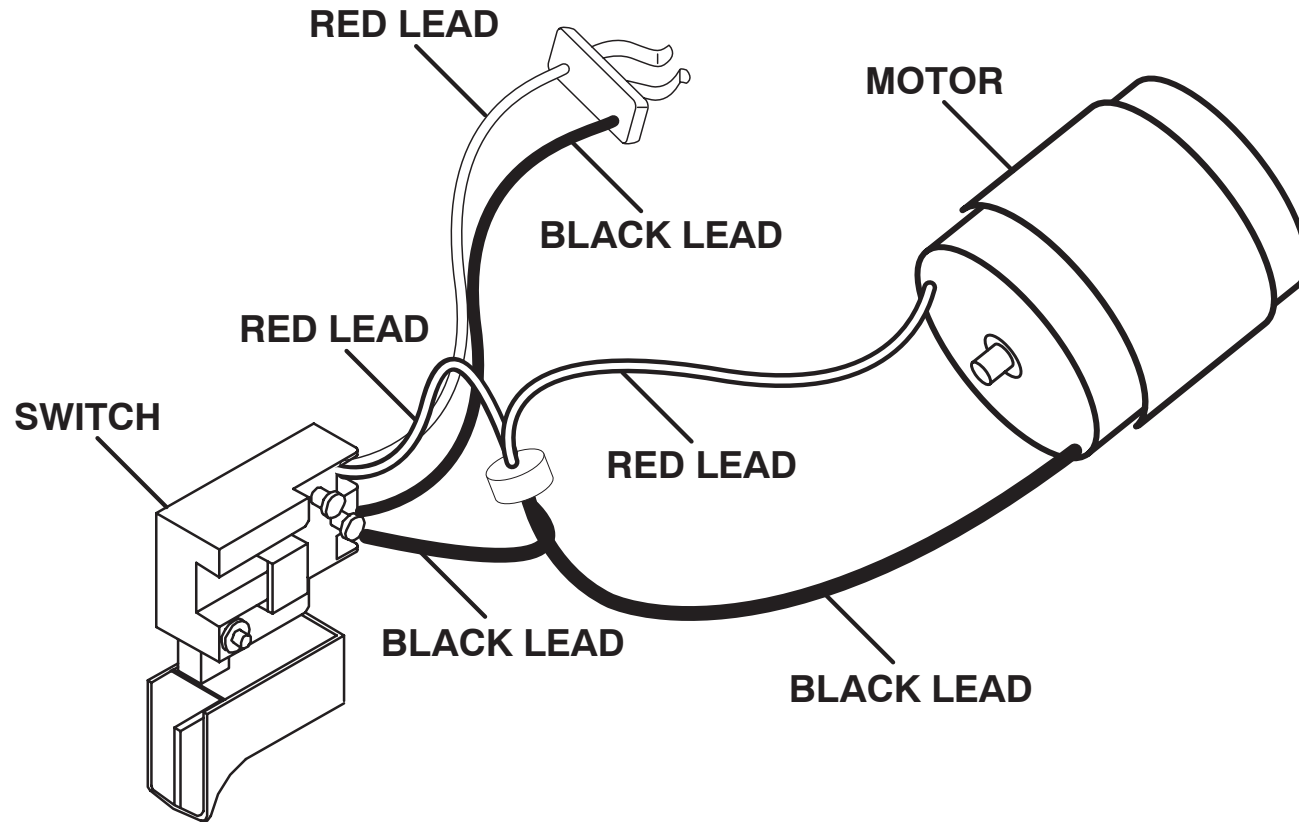
The model number will be found on a plate attached to the motor housing. Always mention the model number in all correspondence regarding your **JIG SAW** or when ordering repair parts.

PARTS LIST

KEY NO.	PART NUMBER	DESCRIPTION	QTY.	KEY NO.	PART NUMBER	DESCRIPTION	QTY.
1	660302002	* SCREW (10-24 X 1/2 in.)	2	23	630842002	COUNTER WEIGHT	1
2	630847003	PLATE CLAMP	1	24	630843001	DRIVE PLATE	1
3	550432001	RUBBER TUBE	1	25	630844001	WASHER	1
4	630846005	BASE	1	26	230033052	MOTOR ASSEMBLY	1
5	660302001	* SCREW (10-24 X 3/8 in.)	1	27	270016087	SWITCH ASSEMBLY	1
6	680910001	STEEL ROD	1	28	6620805	* SCREW (M4 X 16 mm)	11
7	550424001	DETENT BUTTON	1	29	300306012	HEAT SINK ASSEMBLY W/BEARING	1
8	680909001	SPRING	1	30	511552001	SAFETY BUTTON	1
9	380425002	ORBIT KNOB	1	31	6799802	SPRING	1
10	511551001	DOOR	1	32	680907001	HEX KEY (1/8 in.)	1
11	200202015	HOUSING ASSEMBLY	1	33	130256001	BATTERY PACK	1
12	640780001	FRONT COVER	1	34	1423701	CHARGER	1
13	630848002	STRIP NUT	1	35	680912002	BLADE	1
14	6620801	* SCREW (M4 X 12 mm)	4	36	680912003	BLADE	1
15	300577005	BLADE GUIDE ASSEMBLY	1	37	940263108	LOGO PLATE	1
16	680906001	PIN	1	38	940303104	DATA PLATE	1
17	680937003	WIRE GUARD	1	39	4640051	EDGE GUIDE	1
18	630849001	RETURN SPRING	1	40	300912032	CARRYING CASE (NOT SHOWN)	1
19	630845001	SLIDE GUIDE PLATE	1		983000-330	OPERATOR'S MANUAL	
20	300669003	QUICK CLAMP BLADE ASSEMBLY	1		983000-330R	REPAIR SHEET	
21	300477004	BEARING BLOCK ASSEMBLY	1		8-18-04		
22	220016087	GEAR ASSEMBLY	1				

WARNING: Improper repair of a double insulated tool can result in damage to the double insulation system possibly causing electrical shock or electrocution. Any repairs requiring disassembly of your tool requires safety testing and should only be performed by a Ryobi Authorized Service Center. For the service center nearest you call 1-800-525-2579

* STANDARD HARDWARE ITEM – MAY BE PURCHASED LOCALLY.



WIRING DIAGRAM