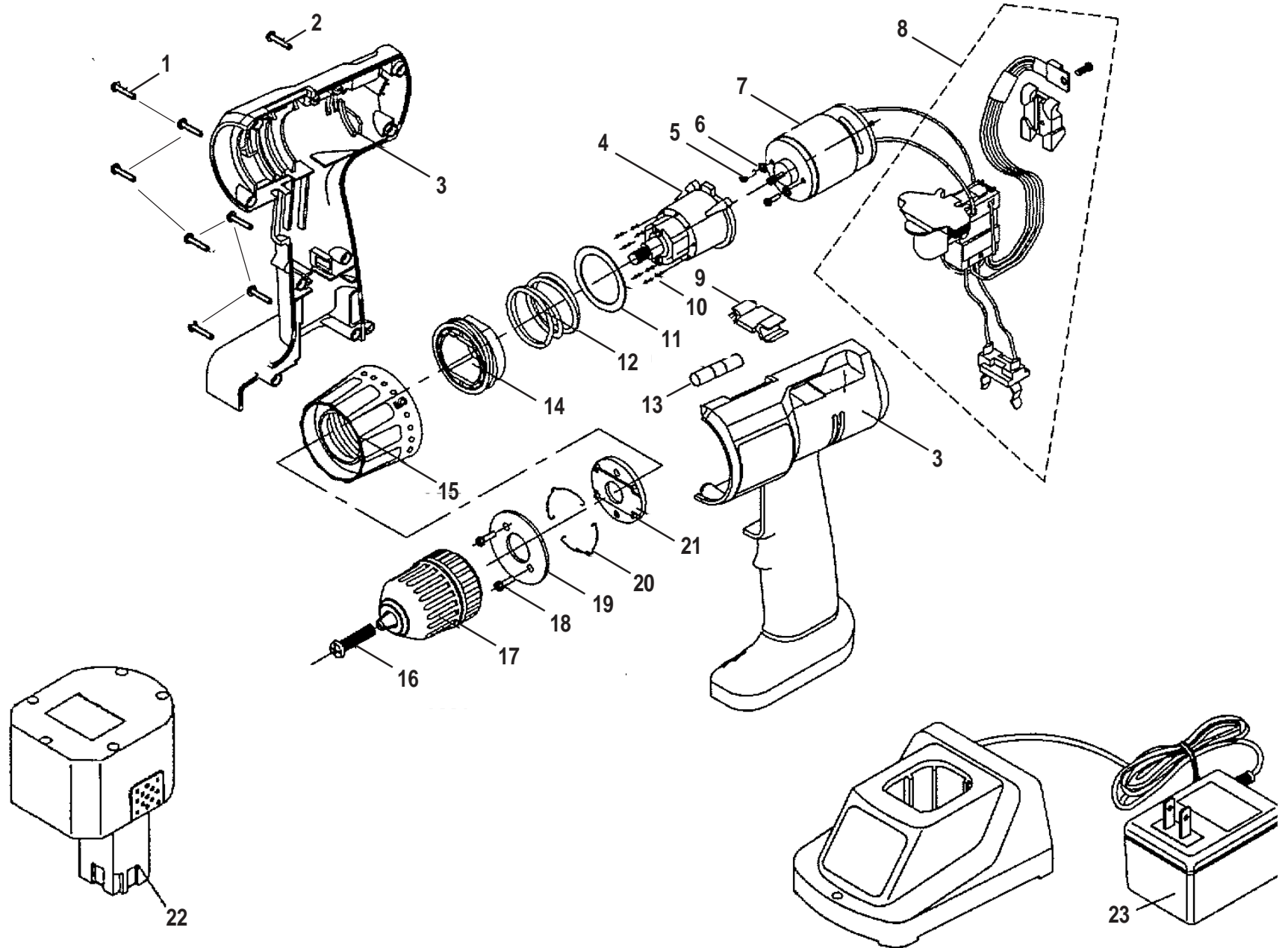


RYOBI 3/8 in. (10 mm)
9.6 VOLT CORDLESS DRILL DRIVER
MODEL NO. HP962
REPAIR SHEET

RYOBI 3/8 in. (10 mm), 9.6 VOLT CORDLESS DRILL DRIVER – MODEL NO. HP962



RYOBI 3/8 in. (10 mm), 9.6 VOLT CORDLESS DRILL DRIVER – MODEL NO. HP962

The model number will be found on a plate attached to the motor housing. Always mention the model number in all correspondence regarding your **CORDLESS DRILL DRIVER** or when ordering repair parts.

PARTS LIST

Key No.	Part Number	Description	Qty.	Key No.	Part Number	Description	Qty.
1	6620606	* SCREW (M3.5 X 16 mm)	7	15	3854101	CLUTCH CAP	1
2	6620614	* SCREW (M3.5 X 14 mm)	1	16	1130049	CHUCK SCREW	1
3	984708-001	HOUSING ASSEMBLY	1	17	6885501	CHUCK	1
4	2200938	GEAR BOX ASSEMBLY	1	18	6620311	* SCREW (M3 X 20 mm)	2
5	6621106	* SCREW (M3 X 6 mm)	2	19	6387101	MOUNTING PLATE	1
6	6702801	WASHER	2	20	6399201	DETENT RING	2
7	984709-001	MOTOR W/GEAR TRAIN ASSEMBLY	1	21	5553201	SPRING HOLDER	1
8	2901375	SWITCH ASSEMBLY	1	22	1311146	BATTERY PACK	1
9	4360006	BIT HOLDER	1	23	1411140	CHARGER	1
10	4750013	STEEL BALL	16	24	3051734	CARRYING CASE (NOT SHOWN)	1
11	4900099	CLUTCH WASHER	1	25	9418526	LOGO PLATE (NOT SHOWN)	1
12	6894301	TORQUE CONTROL SPRING	1	26	9418651	DATA PLATE (NOT SHOWN)	1
13	3000905	LEVEL	1		972000-873R	OPERATOR'S MANUAL	
14	5501402	SLEEVE	1		4-03		

WARNING: Improper repair of a double insulated tool can result in damage to the double insulation system possibly causing electrical shock or electrocution. Any repairs requiring disassembly of your tool requires safety testing and should only be performed by a Ryobi Authorized Service Center. For the service center nearest you call 1-800-525-2579.

* Standard Hardware Item – May Be Purchased Locally