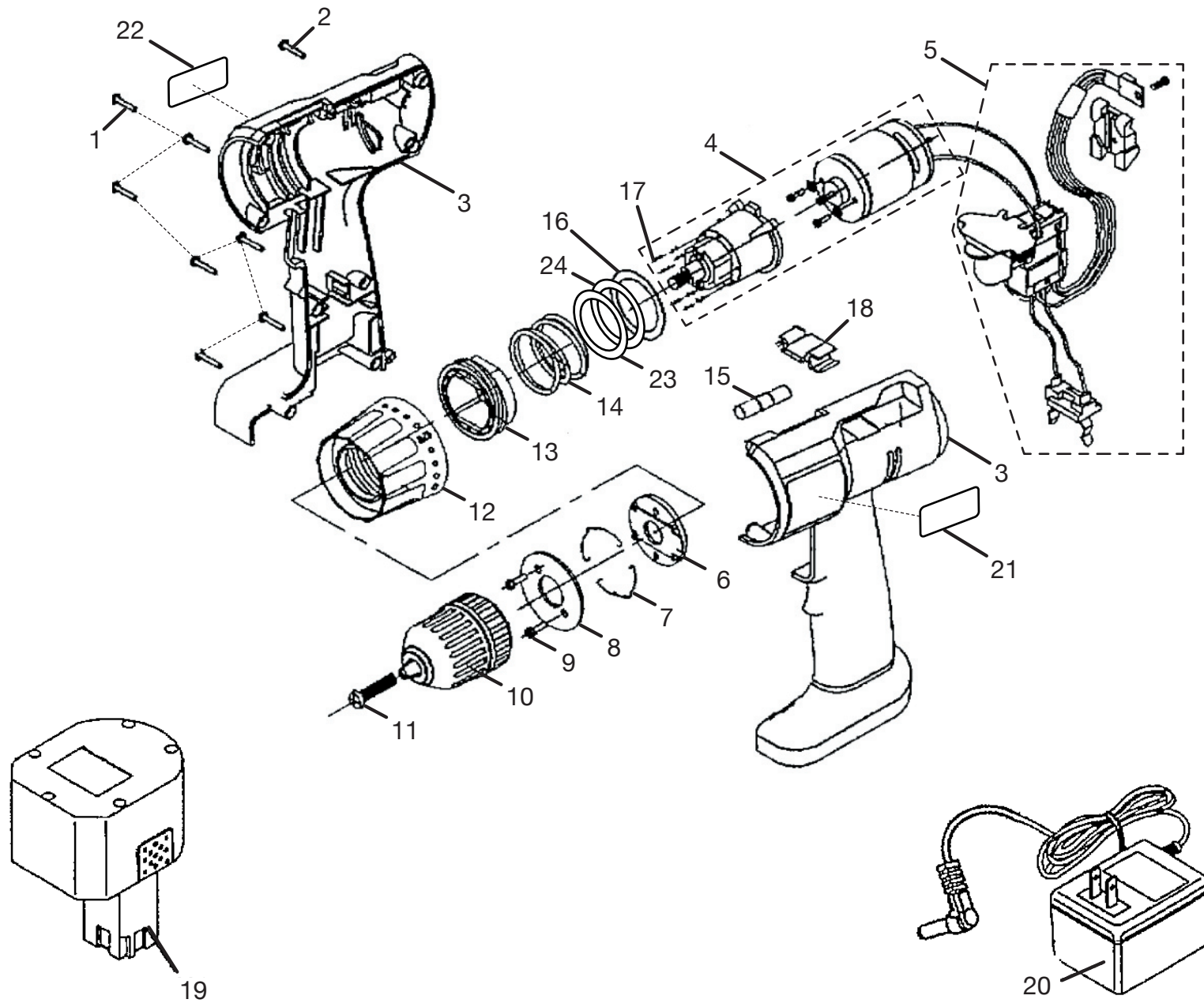


**RYOBI 3/8 in.**  
**7.2 VOLT CORDLESS DRILL DRIVER**  
**MODEL NO. HP722K**  
**REPAIR SHEET**

RYOBI 3/8 in., 7.2 VOLT CORDLESS DRILL DRIVER – MODEL NO. HP722K



## RYOBI 3/8 in., 7.2 VOLT CORDLESS DRILL DRIVER – MODEL NO. HP722K

The model number will be found on a plate attached to the motor housing. Always mention the model number in all correspondence regarding your **CORDLESS DRILL DRIVER** or when ordering repair parts.

KEY NO.	PART NUMBER	PARTS LIST DESCRIPTION	QTY.
1	6620606	* SCREW (M3.5 X 16 mm).....	7
2	6620614	* SCREW (M3.5 X 14 mm).....	1
3	200108018	HOUSING ASSEMBLY W/ LABELS .....	1
4	984369001	MOTOR & GEAR TRAIN ASSEMBLY (EXCLUDES KEY NO. 17).....	1
5	2901373	SWITCH ASSEMBLY .....	1
6	5553201	SPRING HOLDER .....	1
7	6399201	DETENT RING .....	2
8	6387101	MOUNTING PLATE .....	1
9	6620311	* SCREW (M3 X 20 mm).....	2
10	690032002	KEYLESS CHUCK.....	1
11	6612001	CHUCK SCREW.....	1
12	550514002	CLUTCH CAP .....	1
13	5501402	SLEEVE.....	1
14	6894301	TORQUE CONTROL SPRING .....	1
15	3000907	LEVEL ASSEMBLY .....	1
16	6901103	CLUTCH WASHER RING.....	1
17	6722001	STEEL BALL (4 mm) .....	16
18	5260411	BIT HOLDER .....	1
19	1311145	BATTERY PACK.....	1
20	7222701	CHARGER.....	1
21	9418525	LOGO PLATE .....	1
22	9418650	DATA PLATE .....	1
23	6901102	WASHER RING .....	1
24	6710501	CLUTCH WASHER.....	1
25	6782044	BIT (NOT SHOWN).....	1
26	6782045	BIT (NOT SHOWN).....	1
27	3051733	CARRYING CASE (NOT SHOWN).....	1
	972000872R	OPERATOR'S MANUAL (REV:00)	
	03-10-05		

**WARNING: Improper repair of a double insulated tool can result in damage to the double insulation system possibly causing electrical shock or electrocution. Any repairs requiring disassembly of your tool requires safety testing and should only be performed by a Ryobi Authorized Service Center. For the service center nearest you call 1-800-525-2579.**

\* Standard Hardware Item – May Be Purchased Locally