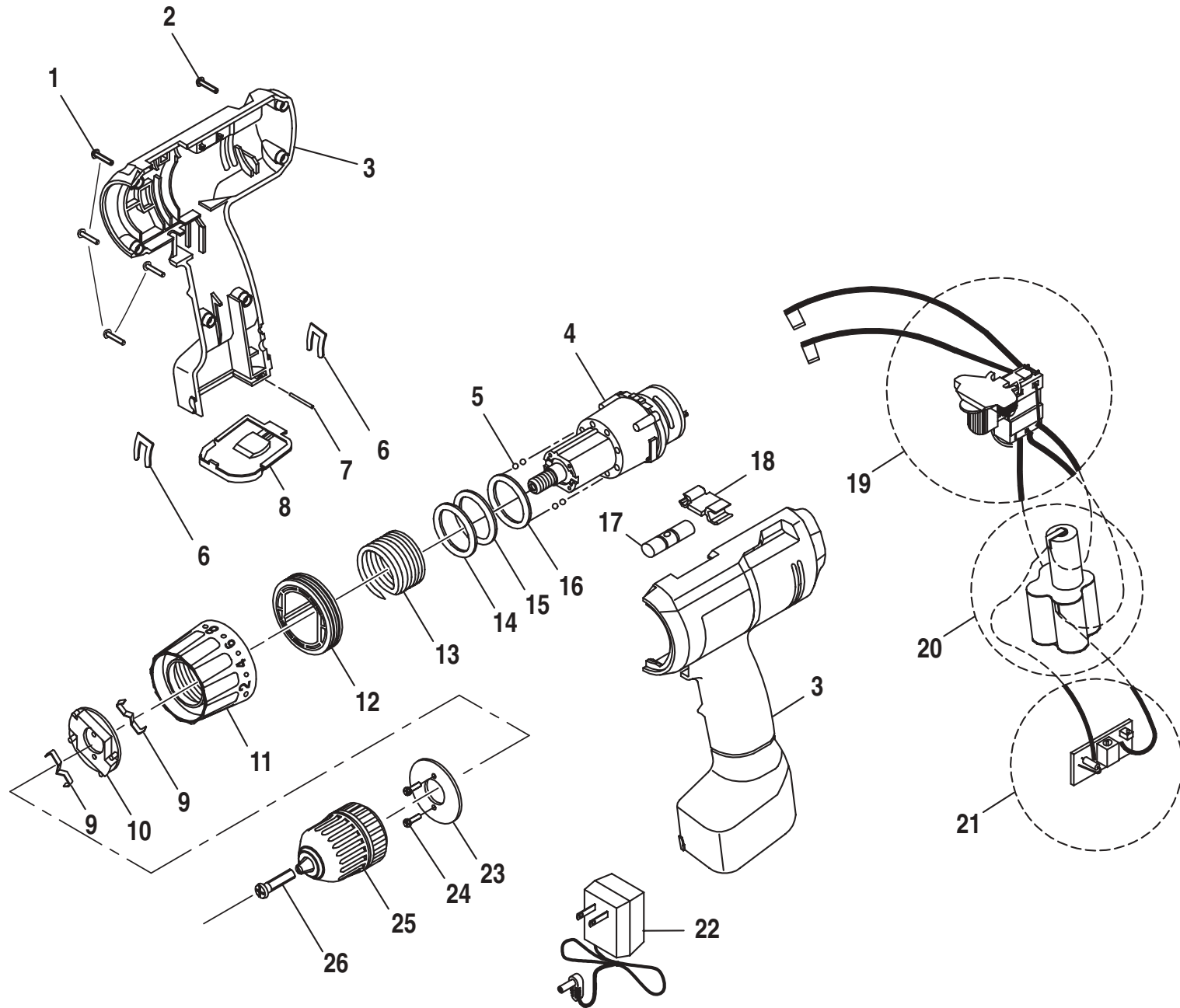


RYOBI 3/8 in. (10 mm)
6 VOLT CORDLESS DRILL DRIVER
MODEL NO. HP62
REPAIR SHEET

RYOBI 3/8 in. (10 mm), 6 VOLT CORDLESS DRILL DRIVER – MODEL NUMBER HP62



RYOBI 3/8 in. (10 mm), 6 VOLT CORDLESS DRILL DRIVER – MODEL NUMBER HP62

The model number will be found on a plate attached to the motor housing. Always mention the model number in all correspondence regarding your **CORDLESS DRILL DRIVER** or when ordering repair parts.

PARTS LIST

Key No.	Part Number	Description	Qty.	Key No.	Part Number	Description	Qty.
1	6620606	* SCREW (M3.5 X 16 mm)	5	15	6901102	WASHER	1
2	6620614	* SCREW (M3.5 X 14 mm)	1	16	6710501	WASHER	1
3	984705-001	HOUSING ASSEMBLY	1	17	3000907	LEVEL	1
4	984706-001	MOTOR ASSEMBLY	1	18	5260411	BIT HOLDER	1
5	6722001	BALL (4 mm)	16	19	2700527	SWITCH ASSEMBLY	1
6	6306601	U-CLIP	2	20	2401759	BATTERY CELL ASSEMBLY	1
7	6759601	SPRING PIN (2 mm X 20 mm)	1	21	2800831	PCB ASSEMBLY	1
8	3610405	TRAP DOOR	1	22	7224301	BATTERY CHARGER	1
9	6399201	SPRING PLATE	2	23	6387101	MOUNTING PLATE	1
10	5553201	SPRING HOLDER	1	24	6620311	* SCREW (M3 X 20 mm)	2
11	5554102	CLUTCH CAP	1	25	6903202	CHUCK	1
12	5501402	SLEEVE	1	26	6612001	CHUCK SCREW	1
13	6894301	TORQUE CONTROL SPRING	1	27	9418524	DATA PLATE (NOT SHOWN)	1
14	6901103	WASHER	1	28	9418649	LOGO PLATE (NOT SHOWN)	1
					972000-872	OPERATOR'S MANUAL	
					4-03		

WARNING: Improper repair of a double insulated tool can result in damage to the double insulation system possibly causing electrical shock or electrocution. Any repairs requiring disassembly of your tool requires safety testing and should only be performed by a Ryobi Authorized Service Center. For the service center nearest you call 1-800-525-2579.

* Standard Hardware Item – May Be Purchased Locally