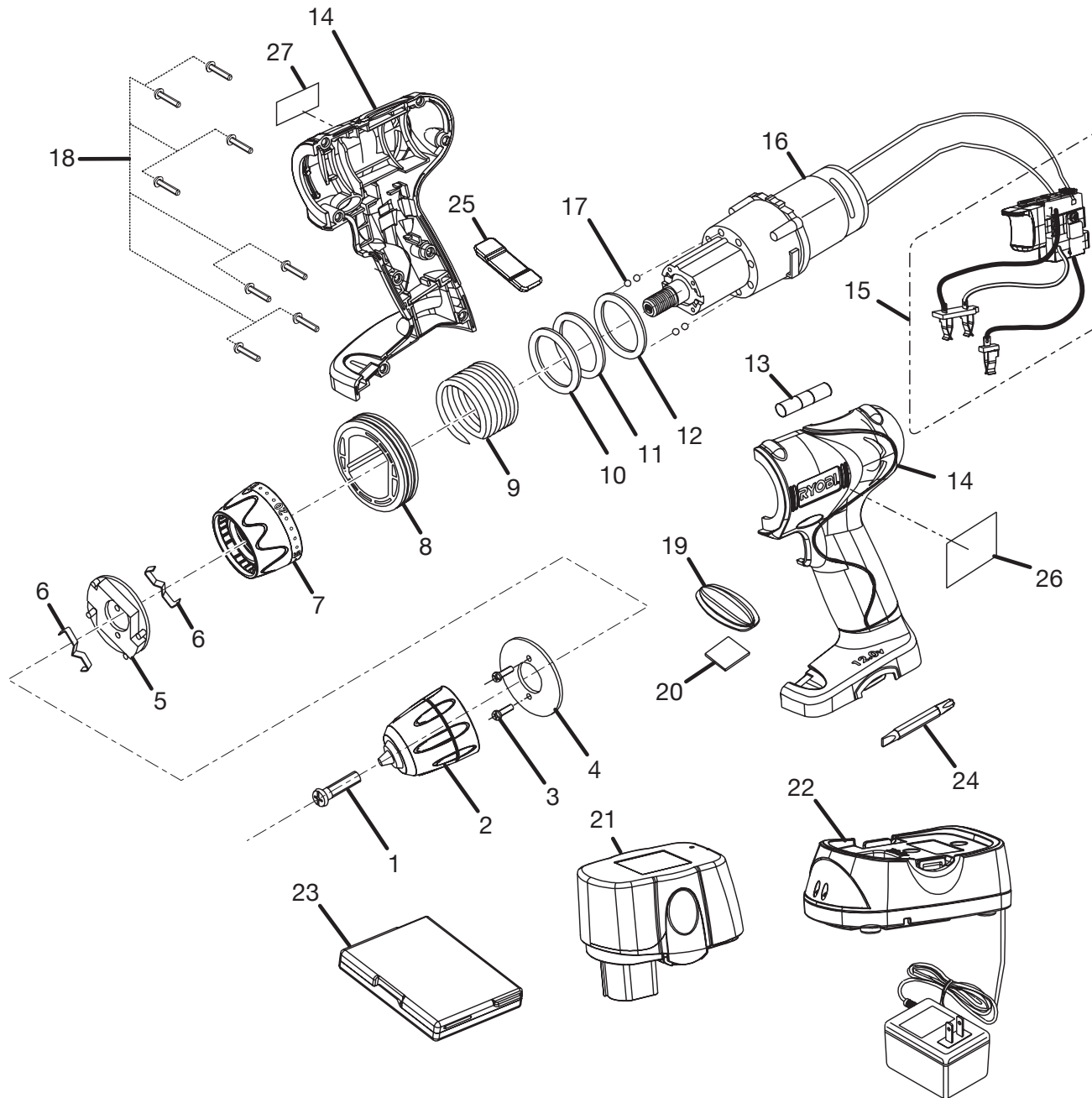


RYOBI
9.6 VOLT CORDLESS DRILL – MODEL NO. HP496
&
12 VOLT CORDLESS DRILL – MODEL NO. HP412
REPAIR SHEET

RYOBI 9.6 & 12 VOLT CORDLESS DRILL – MODEL NO. HP496 AND HP412



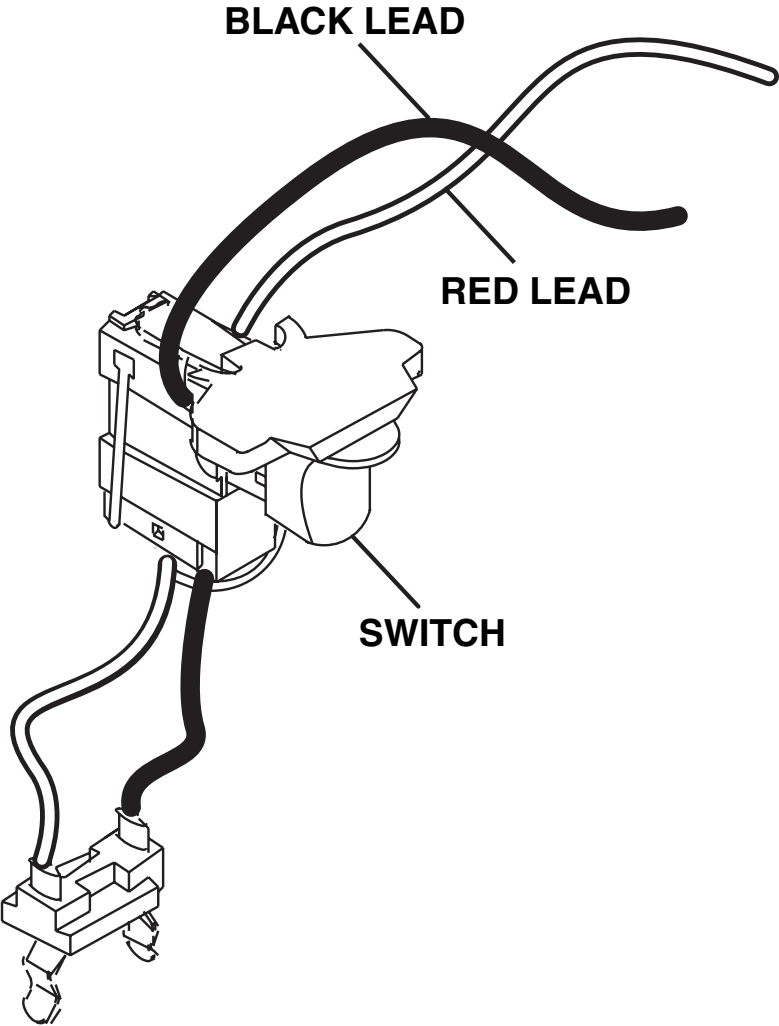
RYOBI 9.6 & 12 VOLT CORDLESS DRILL – MODEL NO. HP496 AND HP412

The model number will be found on a plate attached to the motor housing. Always mention the model number in all correspondence regarding your **RYOBI CORDLESS DRILL** or when ordering repair parts.

PARTS LIST

KEY NO.	PART NUMBER	DESCRIPTION	QTY.	KEY NO.	PART NUMBER	DESCRIPTION	QTY.
1	6612001	* SCREW (M5 X .8 X 26 mm)	1	16	210014028	MOTOR W/GEAR TRAIN ASSEMBLY (HP412)	
2	690031201	CHUCK	1		210014027	MOTOR W/GEAR TRAIN ASSEMBLY (HP496).....	1
3	6620311	* SCREW (M3 X 20 mm).....	2	17	6722001	BALL (4 mm).....	16
4	6387101	MOUNTING PLATE	1	18	6620606	* SCREW (M3.5 X 16 mm).....	8
5	5553201	SPRING HOLDER	1	19	570271001	BIT HOLDER	1
6	630922004	SPRING PLATE (HP412)		20	671479001	MAGNET TRAY.....	1
	6399201	SPRING PLATE (HP496).....	2	21	130269003	BATTERY PACK (HP412)	
7	512569001	CLUTCH CAP	1		130269002	BATTERY PACK (HP496)	1
8	5501402	SLEEVE	1	22	140295003	CHARGER (HP412)	
9	6894301	SPRING	1		140295002	CHARGER (HP496).....	1
10	6901103	WASHER	1	23	511540001	BIT BOX	1
11	6901102	WASHER	1	24	6782045	BIT (HP412)	
12	6710501	CLUTCH WASHER.....	1		6782044	BIT (HP496).....	1
13	3000907	TOP LEVEL ASSEMBLY.....	1	25	342567001	FORWARD/REVERSE SELECTOR	1
14	200202238	HOUSING ASSEMBLY (HP412)		26	940203042	LOGO LABEL	1
	200202237	HOUSING ASSEMBLY (HP496).....	1	27	940252088	DATA LABEL	1
15	270018068	SWITCH ASSEMBLY.....	1	28	120065022	28 PIECE BIT SET (NOT SHOWN)	1
				29	300912123	CARRYING CASE HP412 (NOT SHOWN)	
					300912124	CARRYING CASE HP496 (NOT SHOWN).....	1
					983000-501	OPERATOR'S MANUAL	
					983000-501R	REPAIR SHEET (REV:01)	
					02-01-05		

* STANDARD HARDWARE ITEM – MAY BE PURCHASED LOCALLY



WIRING DIAGRAM