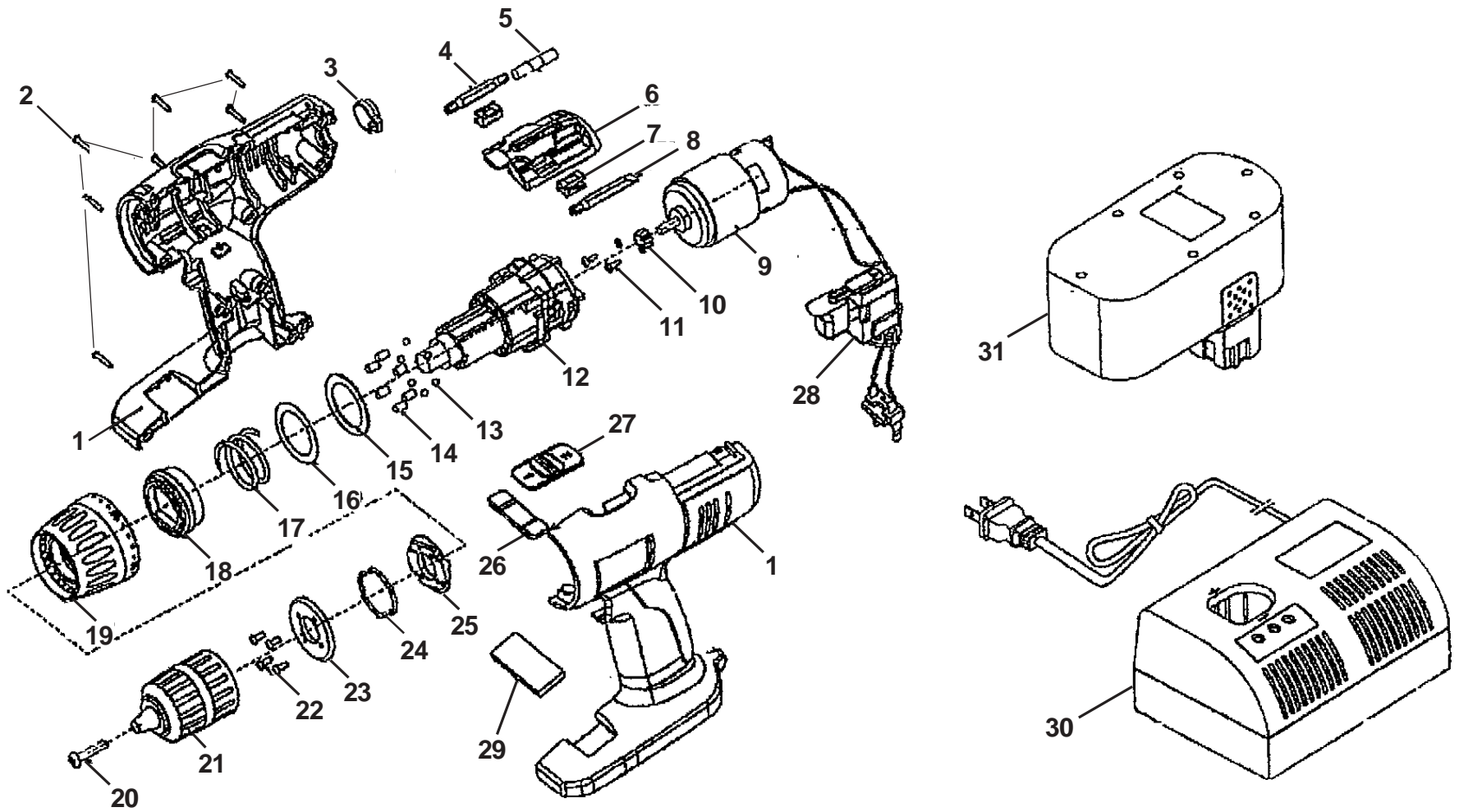


RYOBI 1/2 in.
18 VOLT CORDLESS DRILL DRIVER
MODEL NO. HP1802M
REPAIR SHEET

RYOBI 1/2 in., 18 VOLT CORDLESS DRILL DRIVER – MODEL NUMBER HP1802M



RYOBI 1/2 in., 18 VOLT CORDLESS DRILL DRIVER – MODEL NUMBER HP1802M

The model number will be found on a plate attached to the motor housing. Always mention the model number in all correspondence regarding your **DRILL DRIVER** or when ordering repair parts.

PARTS LIST

| Key No. | Part Number | Description | Qty. | Key No. | Part Number | Description | Qty. |
|---------|-------------|---|------|---------|-------------|---------------------------------|------|
| 1 | 984569-001 | HOUSING ASSEMBLY | 1 | 18 | 5437201 | SLEEVE | 1 |
| 2 | 6620605 | * SCREW (M3.5 X 16 mm) | 11 | 19 | 5474801 | CLUTCH CAP | 1 |
| 3 | 3048001 | REAR BUBBLE LEVEL | 1 | 20 | 6612003 | * SCREW (M5 X 26 mm) | 1 |
| 4 | 6782005 | DOUBLE BIT | 1 | 21 | 6806001 | CHUCK | 1 |
| 5 | 3000906 | LEVEL ASSEMBLY | 1 | 22 | 6620311 | * SCREW (M3 X 20 mm) | 4 |
| 6 | 5475401 | BIT STORAGE | 1 | 23 | 6359801 | MOUNTING PLATE | 1 |
| 7 | 6320601 | BIT CLIP | 2 | 24 | 6399201 | DETENT RING | 2 |
| 8 | 6782015 | DOUBLE BIT | 1 | 25 | 5434601 | SPRING HOLDER | 1 |
| 9 | 984570-001 | MOTOR ASM. (INCLUDES KEY NOS.10,11,12) | 1 | 26 | 5475201 | FORWARD/REVERSE LEVER | 1 |
| 10 | 6703001 | WASHER | 2 | 27 | 5475302 | 2-SPEED LEVER | 1 |
| 11 | 6621202 | * SCREW (M4 X 10 mm) | 2 | 28 | 2701070 | SWITCH ASSEMBLY | 1 |
| 12 | 2200594 | GEAR BOX ASSEMBLY | 1 | 29 | 6000303 | MAGNET | 1 |
| 13 | 6721901 | STEEL BALL | 6 | 30 | 1423701 | CHARGER | 1 |
| 14 | 6833802 | PIN | 6 | 31 | 1322401 | BATTERY PACK | 1 |
| 15 | 6703503 | CLUTCH WASHER | 1 | 32 | 9418529 | LOGO PLATE (NOT SHOWN) | 1 |
| 16 | 6838001 | CLUTCH WASHER | 1 | 33 | 9418654 | DATA PLATE (NOT SHOWN) | 1 |
| 17 | 6843401 | SPRING | 1 | 34 | 3051730 | CARRYING CASE (NOT SHOWN) | 1 |
| | | | | | 972000-874R | OPERATOR'S MANUAL | |
| | | | | | 2-03 | | |

WARNING: Improper repair of a double insulated tool can result in damage to the double insulation system possibly causing electrical shock or electrocution. Any repairs requiring disassembly of your tool requires safety testing and should only be performed by a Ryobi Authorized Service Center. For the service center nearest you call 1-800-525-2579.

* Standard Hardware Item – May Be Purchased Locally