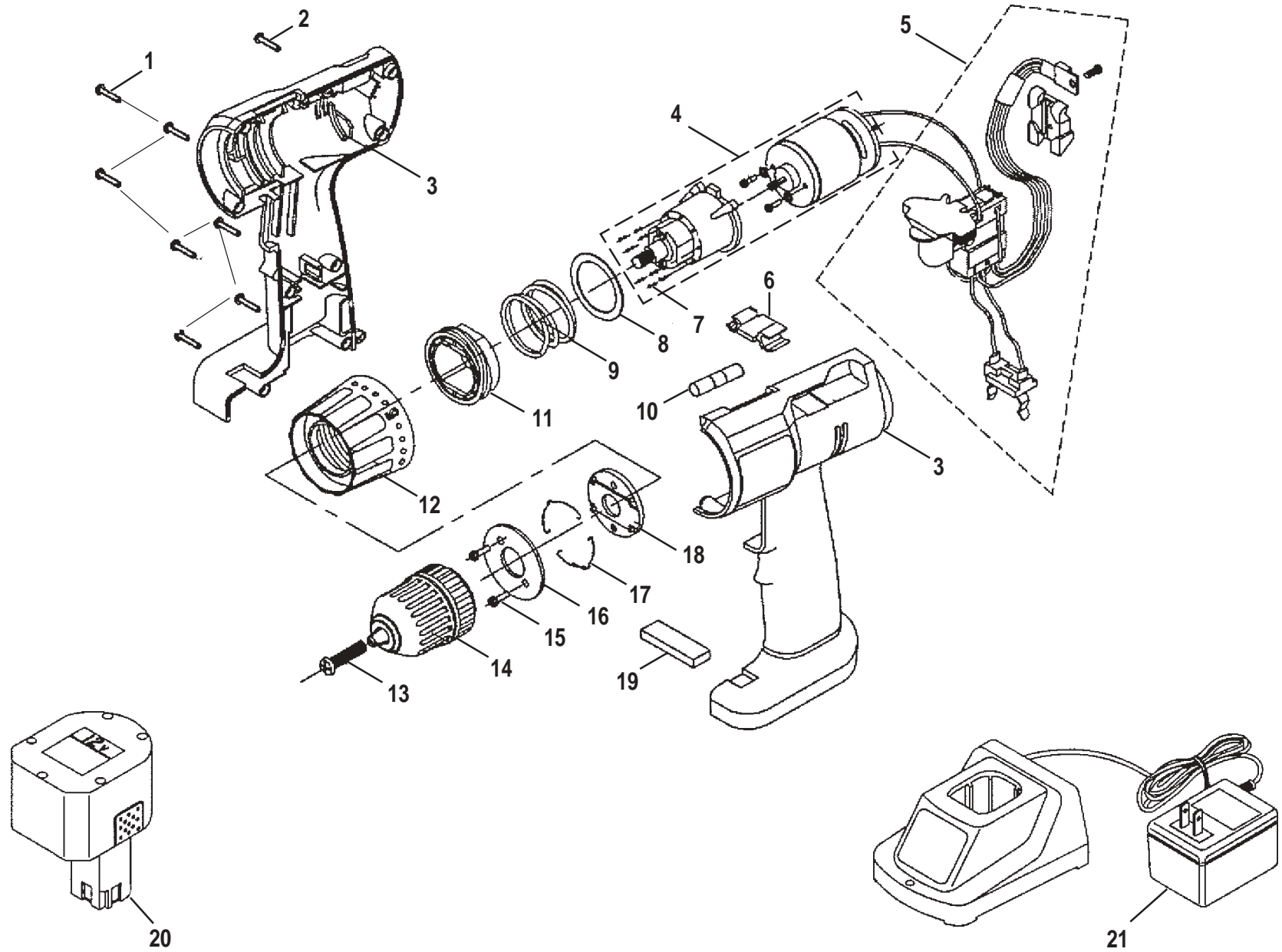


RYOBI 3/8 in. (10 mm)
12 VOLT CORDLESS DRILL DRIVER
MODEL NO. HP1202M
REPAIR SHEET

RYOBI 3/8 in., 12 VOLT CORDLESS DRILL DRIVER – MODEL NO. HP1202M



RYOBI 3/8 in., 12 VOLT CORDLESS DRILL DRIVER – MODEL NO. HP1202M

The model number will be found on a plate attached to the motor housing. Always mention the model number in all correspondence regarding your **CORDLESS DRILL DRIVER** or when ordering repair parts.

PARTS LIST

Key No.	Part Number	Description	Qty.	Key No.	Part Number	Description	Qty.
1	6620606	* SCREW (M3.5 X 16 mm)	7	13	1130049	MACHINE SCREW (L.H.T.)	1
2	6620614	* SCREW (M3.5 X 14 mm)	1	14	6885501	KEYLESS CHUCK	1
3	984571-001	HOUSING ASSEMBLY	1	15	6620311	* SCREW (M3 X 20 mm)	2
4	984572-001	MOTOR W/GEAR TRAIN ASSEMBLY	1	16	6387101	MOUNTING PLATE	1
5	2901375	SWITCH ASSEMBLY	1	17	6399201	DETENT RING	2
6	4360006	BIT HOLDER	1	18	5553201	SPRING HOLDER	1
7	4750013	STEEL BALL (4.0 mm)	16	19	6856905	MAGNET	1
8	4900099	CLUTCH WASHER	1	20	1311148	BATTERY PACK	1
9	6894301	SPRING - TORQUE CONTROL	1	21	1411141	CHARGER	1
10	3000905	LEVEL ASSEMBLY	1	22	3051735	CARRYING CASE (NOT SHOWN)	1
11	5501402	SLEEVE	1	23	9418527	LOGO PLATE (NOT SHOWN)	1
12	3854101	CLUTCH CAP	1	24	9418652	DATA PLATE (NOT SHOWN)	1
					972000-873R	OPERATOR'S MANUAL	
					8-03		

WARNING: Improper repair of a double insulated tool can result in damage to the double insulation system possibly causing electrical shock or electrocution. Any repairs requiring disassembly of your tool requires safety testing and should only be performed by a Ryobi Authorized Service Center. For the service center nearest you call 1-800-525-2579.

* Standard Hardware Item – May Be Purchased Locally