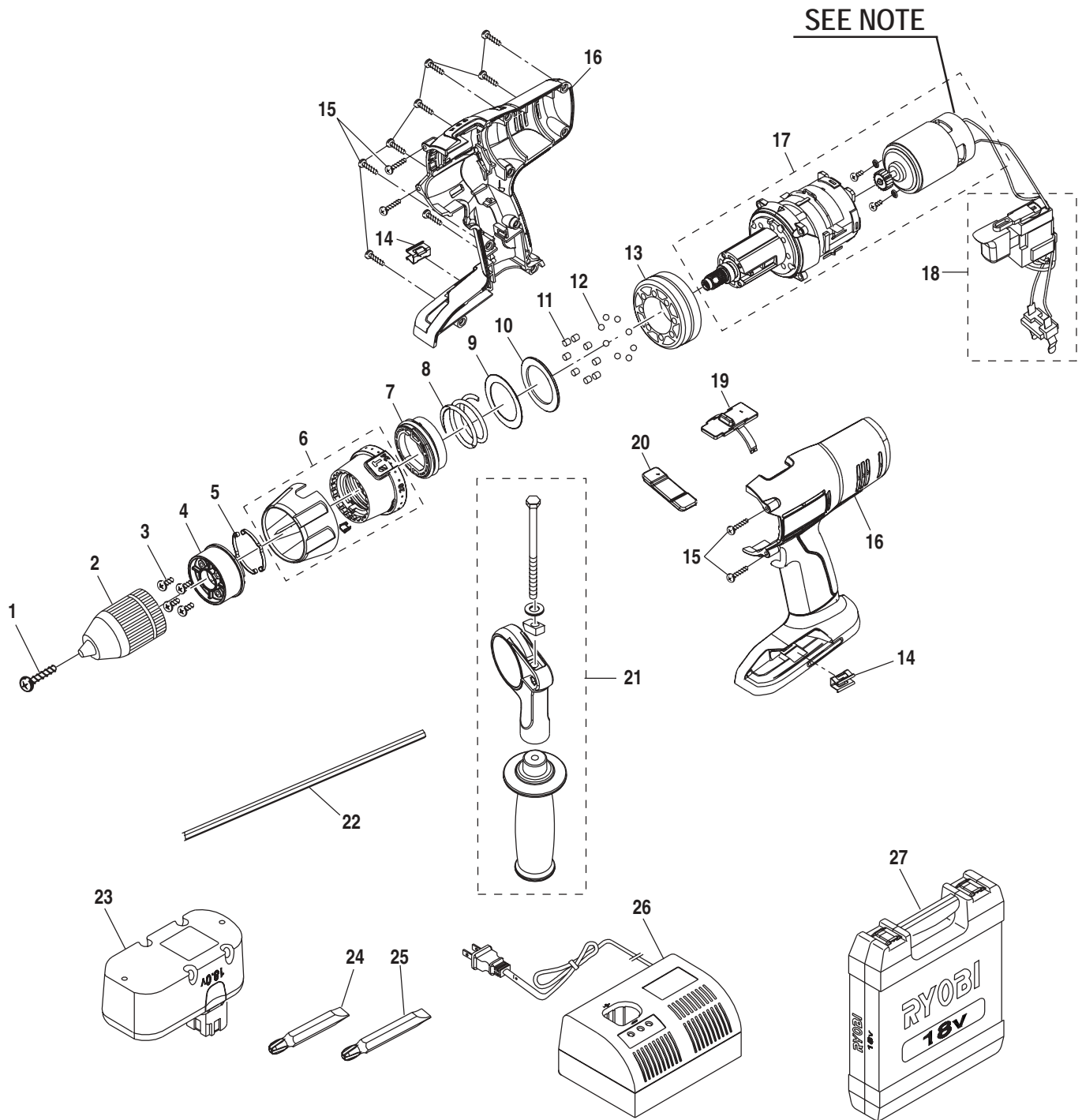


**RYOBI 1/2 in. (13 mm)
18 VOLT, THREE SPEED
CORDLESS HAMMER DRILL
MODEL NO. HD1830
REPAIR SHEET**

RYOBI 1/2 in. (13 mm) CORDLESS HAMMER DRILL – MODEL NUMBER HD1830



NOTE: The assembly shown represents an important part of the double insulated system. To avoid the possibility of alteration or damage to the system, service should be performed by your nearest Ryobi Authorized Service Center. For the service center nearest you call 1-800-525-2579.

RYOBI 1/2 in. (13 mm) CORDLESS HAMMER DRILL – MODEL NUMBER HD1830

The model number will be found on a plate attached to the motor housing. Always mention the model number in all correspondence regarding your **Hammer Drill** or when ordering repair parts.

PARTS LIST

Key No.	Part Number	Description	Qty.
1	6613402	* SCREW (M6 X 1.0 X 27 mm LH)	1
2	690032016	CHUCK (1/2 in.)	1
3	660206031	* SCREW (M3.5 X 15 mm)	4
4	640845001	SPRING PLATE HOLDER	1
5	630207005	SPRING PLATE	2
6	985141-001	CLUTCH CAP ASSEMBLY	1
7	540343004	SLEEVE	1
8	680095004	SPRING	1
9	630748004	CLUTCH CAP WASHER	1
10	680403003	CLUTCH WASHER	1
11	680338007	CLUTCH PIN	8
12	6721901	STEEL BALL (5.0 mm)	8
13	640671001	HANDLE MOUNTING	1
14	6320601	BIT CLIP	2
15	6620805	* SCREW (M4 X 16 mm)	12
16	985140-001	HOUSING ASSEMBLY	1
17	985142-001	MOTOR W/GEAR TRAIN ASSEMBLY	1
18	270016092	SWITCH ASSEMBLY	1
19	511372001	SPEED SELECTOR	1
20	540752002	FORWARD/REVERSE BUTTON	1
21	300188022	HANDLE ASSEMBLY	1
22	6341203	HEXAGON GUIDE ROD GAUGE W/GEAR	1
23	130255004	BATTERY PACK	1
24	6782044	BIT	1
25	6782045	BIT	1
26	1423701	CHARGER	1
27	300912021	CARRYING CASE	1
28	940237014	DATA PLATE (NOT SHOWN)	1
29	940203017	LOGO PLATE (NOT SHOWN)	1
	983000-339	OPERATOR'S MANUAL	
	983000-339R	REPAIR SHEET (REV:00)	
	03-03-05		

* Standard Hardware Item – May Be Purchased Locally