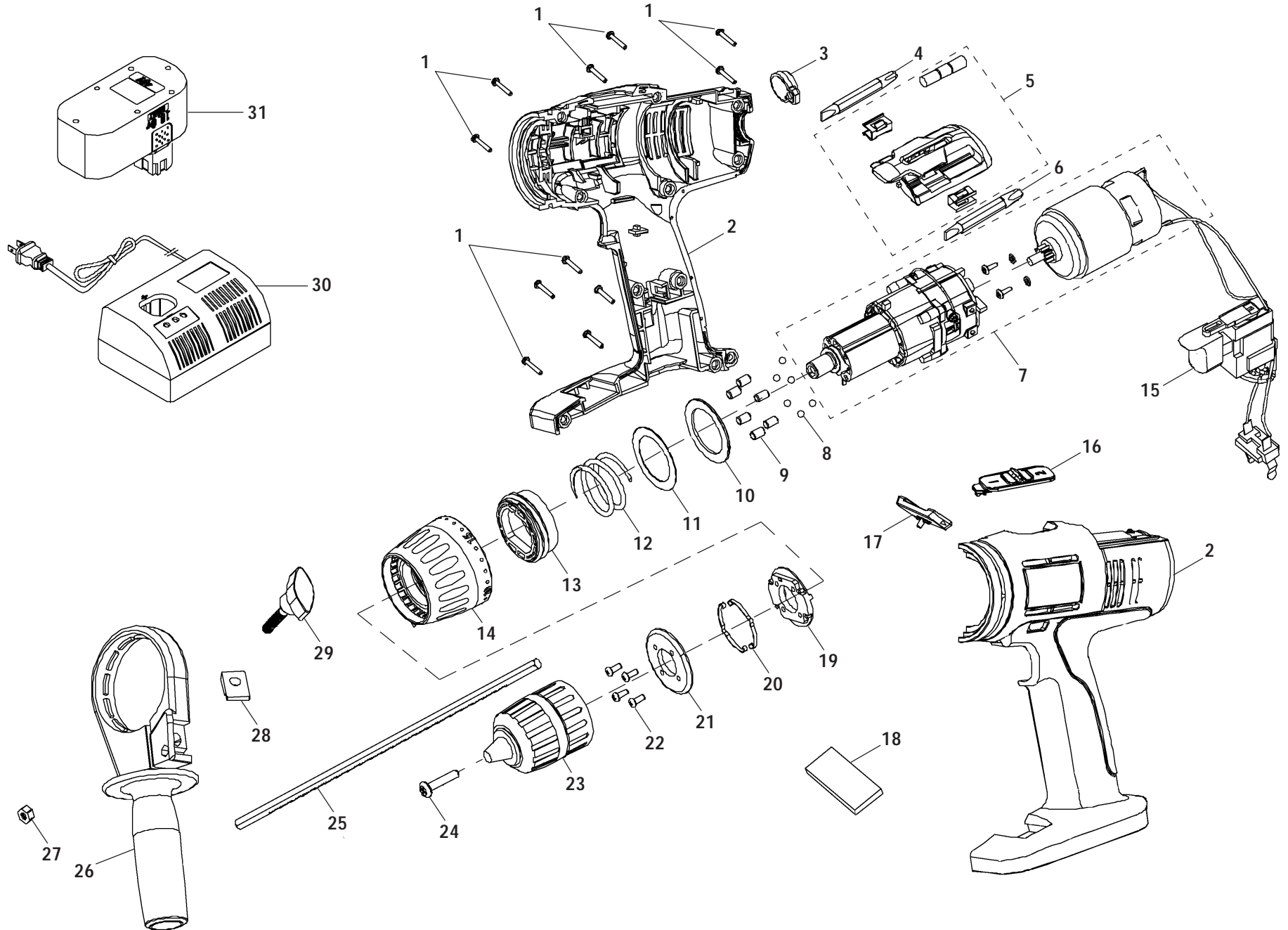


RYOBI 1/2 in. (13 mm)
CORDLESS HAMMER DRILL
MODEL NO. HD1800M
REPAIR SHEET

RYOBI 1/2 in. (13 mm), CORDLESS HAMMER DRILL - MODEL NUMBER HD1800M



RYOBI 1/2 in. (13 mm), CORDLESS HAMMER DRILL – MODEL NUMBER HD1800M

The model number will be found on a plate attached to the motor housing. Always mention the model number in all correspondence regarding your **Hammer Drill** or when ordering repair parts.

PARTS LIST

Key No.	Part Number	Description	Qty.	Key No.	Part Number	Description	Qty.
1	6620614	* SCREW (M3.5 X 14 mm)	11	21	6359801	MOUNTING PLATE	1
2	200202103	HOUSING ASSEMBLY W/LABELS	1	22	6620311	* SCREW (M3 X 20 mm)	4
3	3048001	REAR BUBBLE LEVEL	1	23	6903329	KEYLESS CHUCK W/LOCK	1
4	6782044	BIT	1	24	6613402	* SCREW (M6 X 1.0 X 27 mm)	1
5	300034002	BIT STORAGE AND LEVEL ASSEMBLY	1	25	6341203	GUIDE ROD	1
6	6782045	BIT	1	26	5568303	HANDLE	1
7	984645001	MOTOR W/GEAR TRAIN ASSEMBLY	1	27	6819601	* HEX NUT (M6)	1
8	6721901	STEEL BALL	6	28	6341102	SQUARE WASHER	1
9	6833802	PIN	6	29	3016102	ADJUST SCREW	1
10	6710501	* CLUTCH WASHER (0.8 mm)	1	30	1423701	CHARGER	1
11	6854701	* CLUTCH WASHER (0.2 mm)	1	31	1322401	BATTERY PACK	2
12	6843401	SPRING	1	32	3073052	CARRYING CASE (NOT SHOWN)	1
13	5437202	SLEEVE	1	33	940236030	LOGO PLATE (NOT SHOWN)	1
14	5913801	CLUTCH AND IMPACT CAP	1	34	940252047	DATA PLATE (NOT SHOWN)	1
15	2701647	SWITCH ASSEMBLY	1	35	560444002	FOAM PIECE (NOT SHOWN)	2
16	4089401	SPEED SELECTOR	1	300188012	HANDLE AND GUIDE ROD ASSEMBLY (INCLUDES KEY NOS. 25 - 29)	1	
17	5987601	FORWARD/REVERSE BUTTON	1	983000-196	OPERATOR'S MANUAL		
18	6000303	MAGNET	1	983000-196R	REPAIR SHEET		
19	5434610	SPRING HOLDER	1	4-21-04			
20	6392201	SPRING PLATE	2				

WARNING: Improper repair of a double insulated tool can result in damage to the double insulation system possibly causing electrical shock or electrocution. Any repairs requiring disassembly of your tool requires safety testing and should only be performed by a Ryobi Authorized Service Center. For the service center nearest you call 1-800-525-2579.

* Standard Hardware Item – May Be Purchased Locally