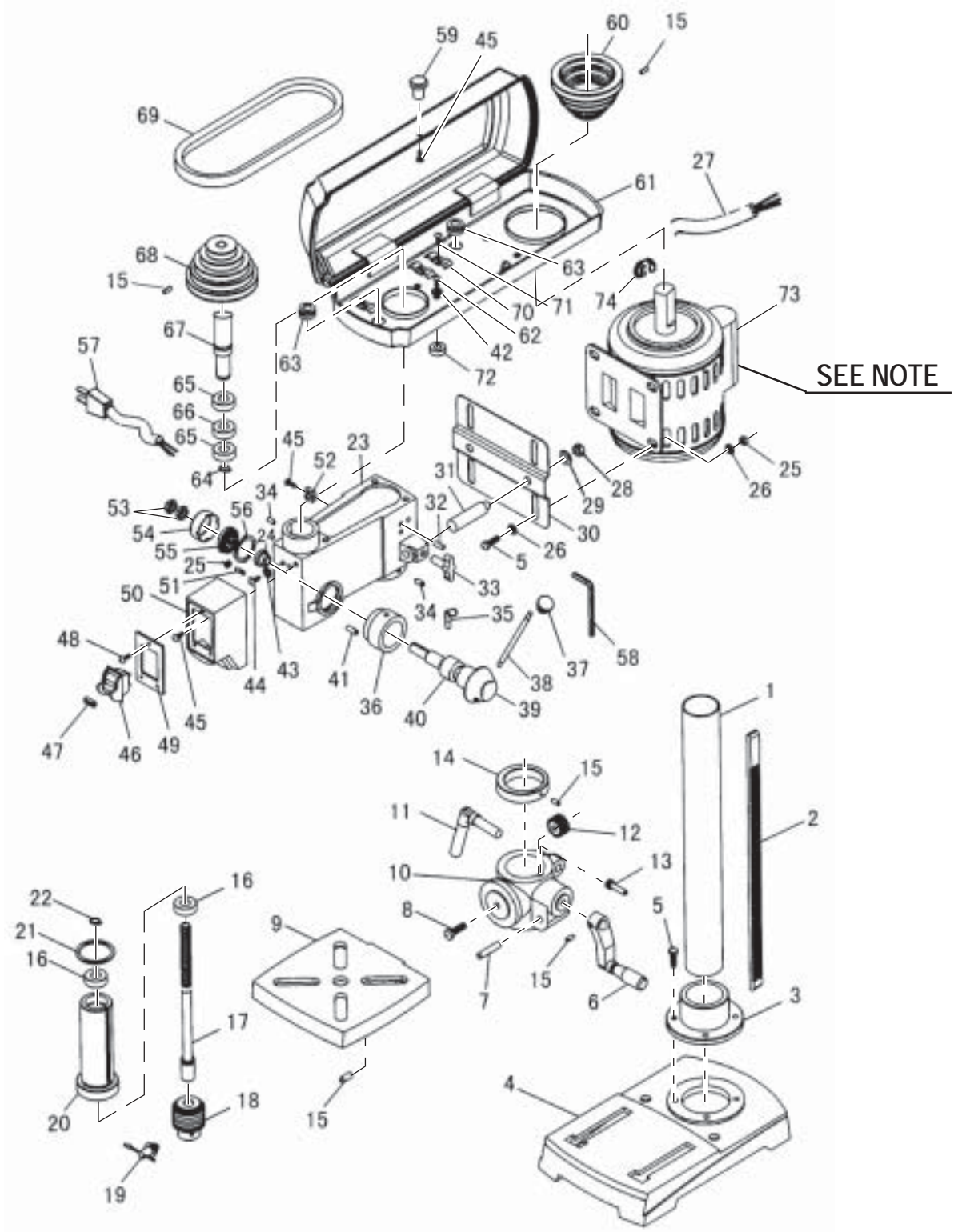


RYOBI
10 in. DRILL PRESS
MODEL NO. DP101
REPAIR SHEET

RYOBI 10 in. DRILL PRESS – MODEL NUMBER DP101



NOTE: The assembly shown represents an important part of the double insulated system. To avoid the possibility of alteration or damage to the system, service should be performed by your nearest Ryobi Authorized Service Center. For the service center nearest you call 1-800-525-2579.

RYOBI 10 in. DRILL PRESS – MODEL NUMBER DP101

The model number will be found on a plate attached to the motor housing. Always mention the model number in all correspondence regarding your **DRILL PRESS** or when ordering repair parts.

PARTS LIST

Key Part No. Number	Description	Qty.	Key Part No. Number	Description	Qty.		
1	13201003	COLUMN TUBE	1	41	16104010	STOP PIN	1
2	13201010	RACK	1	42	TDP07003	WASHER (M6)	4
3	13201002	BASE COLLAR	1	43	TDP08001	TOOTHED LOCKWASHER (M5)	2
4	13201001A	BASE	1	44	TDP07001	SCREW (M5 X 6 mm)	2
5	TDP01001	HEX SCREW (M8 X 20 mm)	4	45	TDP07002	SCREW (M5 X 14 mm)	2
6	16101009A	TABLE CRANK HANDLE	1	46	16102010B	SWITCH	1
7	13201007	GEAR SHAFT	1	47	16102010B1	SWITCH KEY	1
8	TDP05001	HEX SCREW (M12 X 25 mm)	1	48	TDP07005	PAN HD TAPPING SCREW	3
9	13201014D	TABLE	1	49	13102009Q	SWITCH PLATE	1
10	13201004	TABLE SUPPORT W/SCALE	1	50	13202008B	SWITCH BOX	1
11	16101013A	TABLE LOCK HANDLE	1	51	13202021	SPECIAL SET SCREW	1
12	13201006	GEAR	1	52	16103011A	CHUCK KEY HOLDER	1
13	13201008	WORM GEAR	1	53	TDP06003	HEX NUT (M12 X 1.75 mm)	2
14	13201011C	COLUMN COLLAR	1	54	13104008	SPRING CAP	1
15	TDP03001	SET SCREW (M8 X 10 mm)	3	55	13104009	TORSION SPRING	1
16	TDP02001	BALL BEARING (60201)	2	56	13104007	SPRING RETAINER	1
17	13203001A	SPINDLE SHAFT	1	57	13302015E2	POWER CORD	1
18	13103006M	CHUCK	1	58	TDP04001	HEX KEY (4 mm)	1
19	13103006M1	CHUCK KEY	1	59	16105008	PULLEY HOUSING KNOB	1
20	13203002D	QUILL TUBE	1	60	13205005	MOTOR PULLEY	1
21	13303006	QUILL GASKET	1	61	13205000H	PULLEY HOUSING	1
22	TDP10001	RETAINING RING	11	62	TDP07003	SCREW (M6 X 8 mm)	4
23	13202001G	HEAD	1	63	20105012	RUBBER BUSHING	2
24	13204006	SHAFT SUPPORT	1	64	TDP10002	RETAINING RING	1
25	TDP06001	HEX NUT (M8)	4	65	TDP02001	BALL BEARING (60201)	2
26	TDP11002	WASHER (M8)	8	66	13302023A	SPACER	1
27	13202016	MOTOR CORD	1	67	13202022	PULLEY INSERT	1
28	TDP06002	HEX NUT (M10)	2	68	13205006	SPINDLE PULLEY	1
29	TDP11001	LOCK WASHER (M10)	2	69	13205007	BELT (K31)	1
30	13202007	MOTOR BRACKET	1	70	13202014A	CORD CLAMP W/SLEEVE	3
31	13202002	MOTOR SUPPORT	2	71	TDP07004	SCREW (M5 X 10 mm)	3
32	TDP09001	ROLL PIN (M6 X 16 mm)	2	72	13105009	FOAM WASHER	4
33	13102005B	BELT TENSION KNOB	2	73	YYG71L404	MOTOR W/CORD & RELIEF	1
34	TDP03002	HEX SCREW (M8 X 8 mm)	2	74	TDP12001	BEND RELIEF	1
35	16104012	SCALE SET HANDLE	1	75	13206006E	LOGO PLATE	1
36	13304003	DEPTH STOP RING W/SCALE ...	1	76	13206007K	WARNING LABEL	1
37	13304011C	KNOB	3	77	13206008C	DATA PLATE	1
38	13204005A	FEED HANDLE	3	78	13206009A	SPEED CHART LABEL	1
39	13304001	HUB	1		972000-909	OPERATOR'S MANUAL	
40	13204002B	PINNION SHAFT	1		972000-909R	REPAIR SHEET	
					12-9-03		

* Standard Hardware Item — May Be Purchased Locally