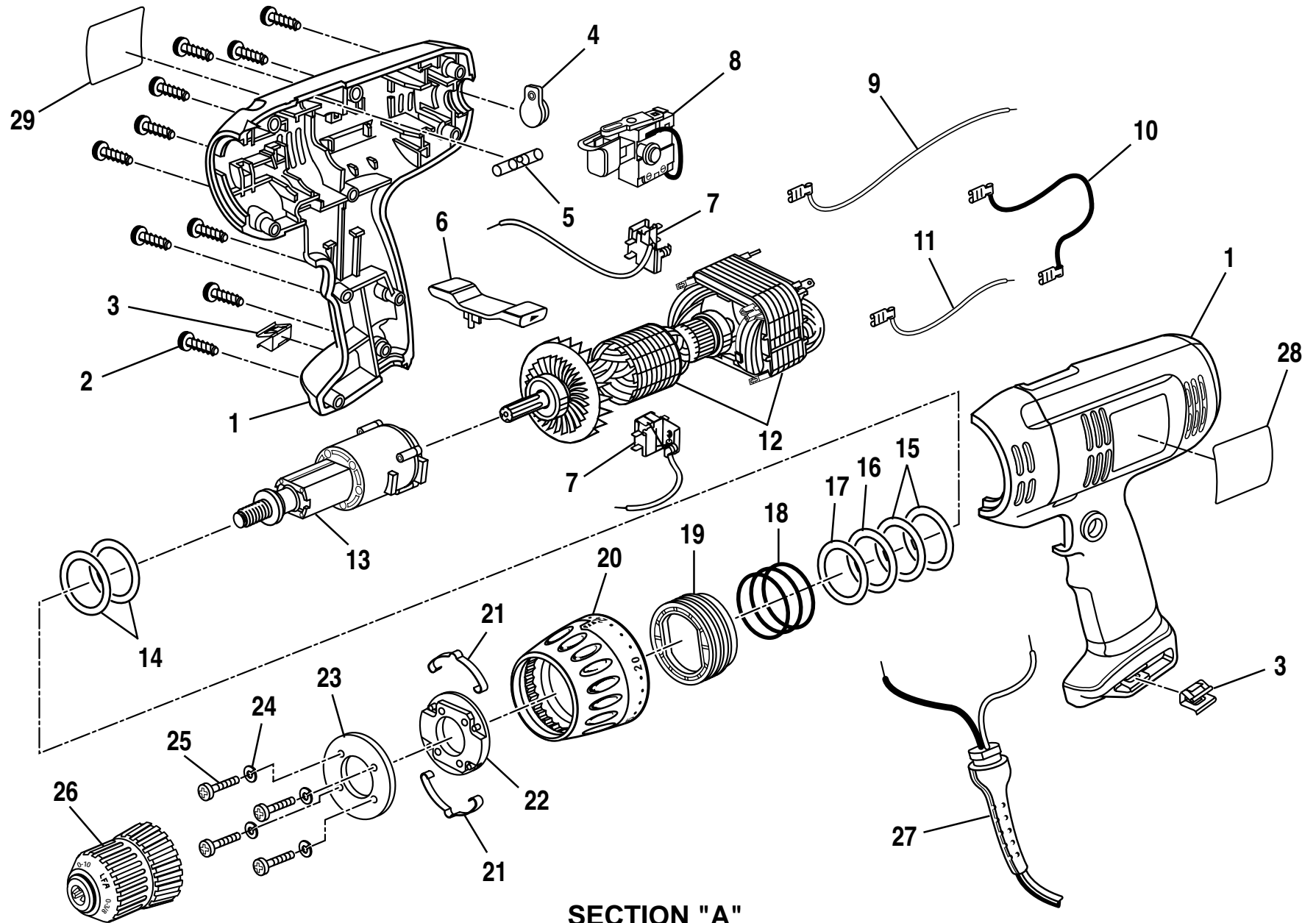


RYOBI 3/8 in. DRILL- DRIVER – MODEL NO. D45C



SECTION "A"

SECTION "A" REPRESENTS AN IMPORTANT PART OF THE DOUBLE INSULATED SYSTEM OF THIS TOOL. ANY REPAIR TO THIS TOOL REQUIRES DIELECTRIC TESTING TO INSURE CUSTOMER SAFETY AND TO COMPLY WITH COMPANY REQUIREMENTS.

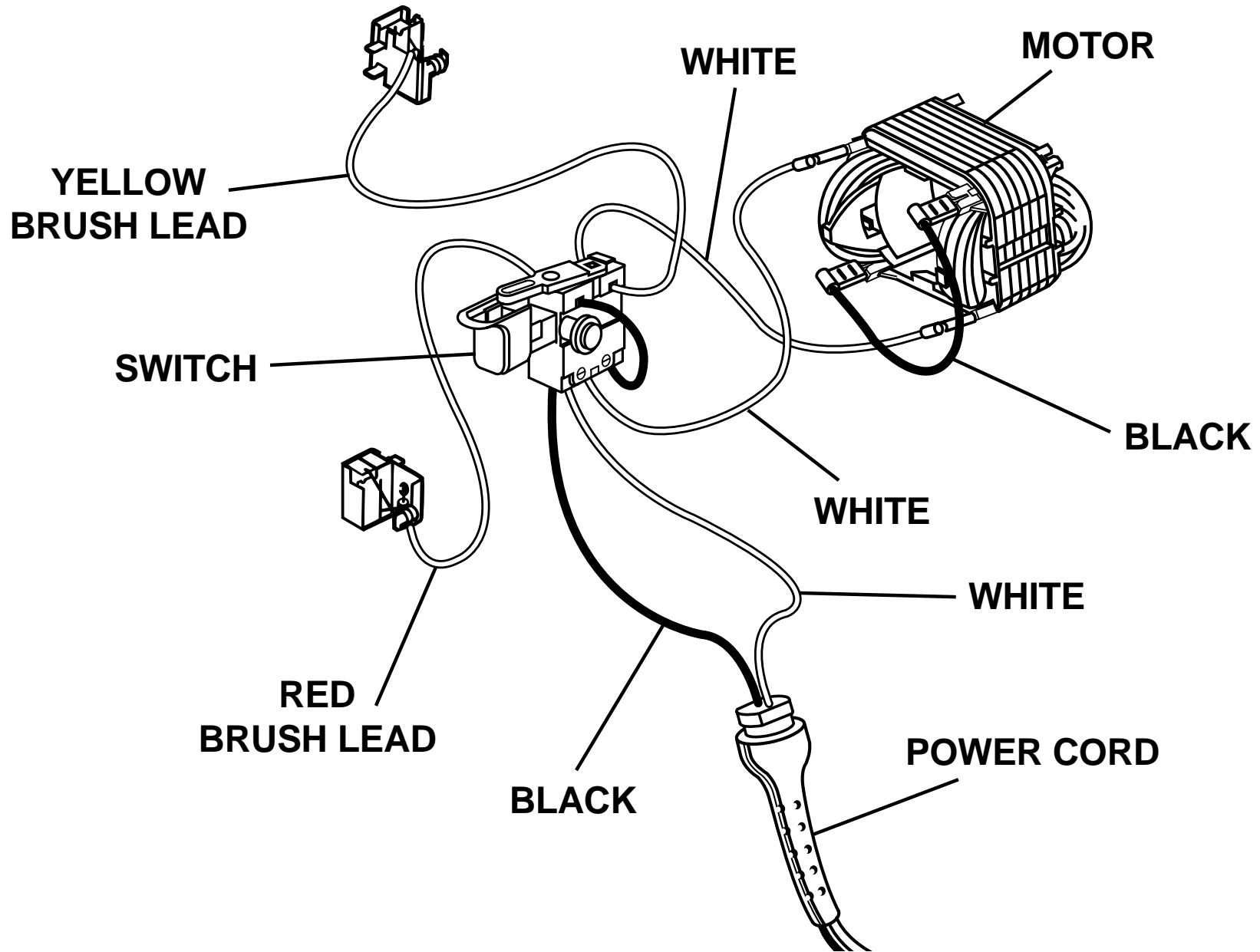
RYOBI 3/8 in. DRILL- DRIVER – MODEL NO. D45C

The model number will be found on a plate attached to the motor housing. Always mention the model number in all correspondence regarding your **DRILL-DRIVER** or when ordering repair parts.

PARTS LIST

Key No.	Part Number	Description	Quan.
1	982839-001	HOUSING ASSEMBLY	1
2	981901-001	* SCREW (M4 X 16 mm)	10
3	6320601	BIT CLIP	2
4	3048001	REAR BUBBLE LEVEL	1
5	3000901	TOP LEVEL	1
6	5422901	FORWARD-REVERSE SELECTOR	1
7	2906903	BRUSH ASSEMBLY	1
8	7619701	SWITCH	1
9	2908511	WHITE LEAD (100 mm)	1
10	2908505	BLACK LEAD (100 mm)	1
11	2908510	WHITE LEAD (250 mm)	1
12	2909424	MOTOR ASSEMBLY (INCLUDES ARMATURE AND FIELD)	1
13	2200913	GEAR BOX ASSEMBLY	1
14	6759003	WASHER (0.50 mm)	2
15	6897002	WASHER (0.20 mm)	2
16	6897005	WASHER (0.10 mm)	1
17	6897003	WASHER (0.15 mm)	1
18	6843401	SPRING	1
19	5437201	SLEEVE	1
20	5474801	CLUTCH CAP	1
21	6399201	SPRING PLATE	2
22	5434601	SPRING HOLDER	1
23	6359801	MOUNTING PLATE	1
24	6702801	* LOCK WASHER (M3)	4
25	6621120	* SCREW (M3 X 15 mm)	4
26	982674-001	3/8 in. KEYLESS CHUCK	1
27	7320201	POWER CORD	1
28	982673-001	LOGO PLATE	1
29	982672-001	DATA PLATE	1
30	982798-001	CARRYING CASE (NOT SHOWN)	1
	972000-875R	OWNER'S MANUAL	
	4-14-04		

* Standard Hardware Item – May Be Purchased Locally



WIRING DIAGRAM