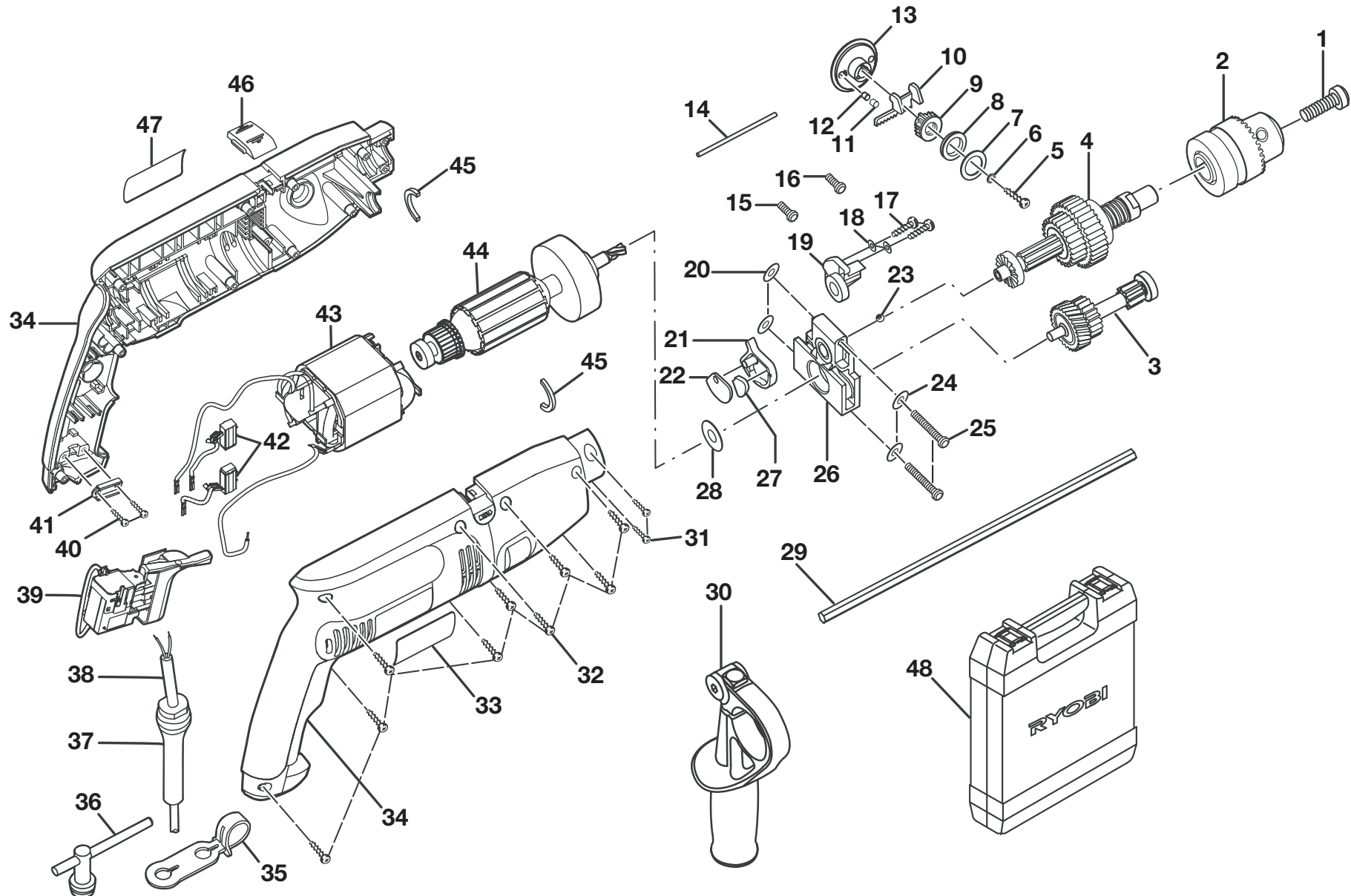


**RYOBI
HAMMER DRILL
MODEL NO. D551H
REPAIR SHEET**

RYOBI HAMMER DRILL – MODEL NUMBER D551H



RYOBI HAMMER DRILL – MODEL NUMBER D551H

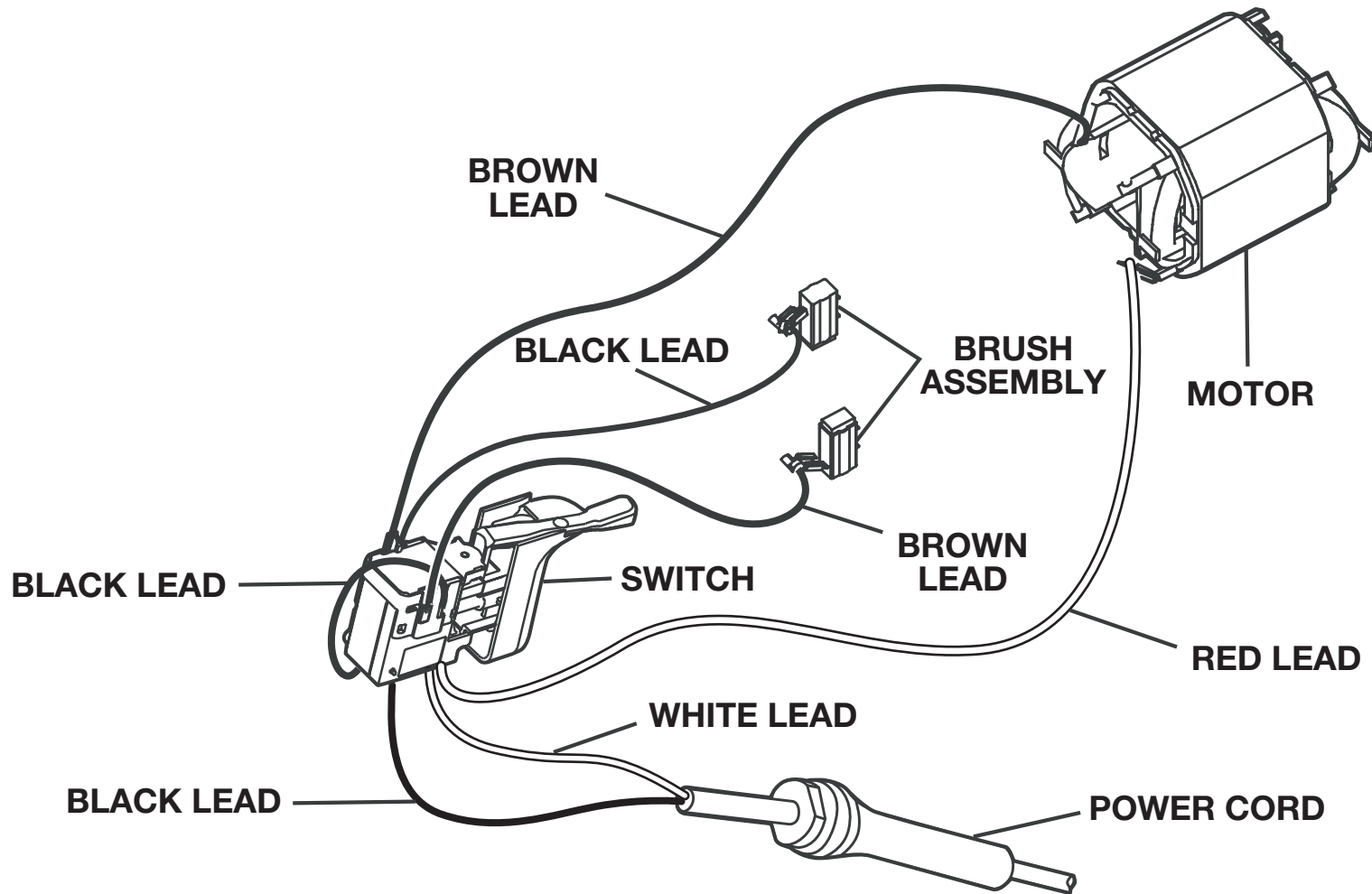
The model number will be found on a plate attached to the motor housing. Always mention the model number in all correspondence regarding your **HAMMER DRILL** or when ordering repair parts.

PARTS LIST

| KEY NO. | PART NUMBER | DESCRIPTION | QTY | KEY NO. | PART NUMBER | DESCRIPTION | QTY |
|---------|-------------|------------------------------------|-----|---------|-------------|--------------------------------|-----|
| 1 | 6613402 | SCREW (M6 X 27 mm) | 1 | 26 | 984721001 | BEARING PLATE ASSEMBLY | 1 |
| 2 | 690090009 | CHUCK..... | 1 | 27 | 690443001 | DRILL MODE INSERT | 1 |
| 3 | 984723001 | GEAR SHAFT ASSEMBLY..... | 1 | 28 | 900722002 | OIL SEAL..... | 1 |
| 4 | 984722001 | OUTPUT SPINDLE/GEAR ASSEMBLY | 1 | 29 | 6341203 | GUIDE ROD GAUGE | 1 |
| 5 | 6620310 | SCREW (M3 X 14 mm) | 1 | 30 | 3018808 | AUXILIARY HANDLE ASSEMBLY..... | 1 |
| 6 | 630636001 | SPRING WASHER | 1 | 31 | 6620805 | SCREW (M4 X 16 mm) | 2 |
| 7 | 690497001 | WASHER | 1 | 32 | 660208013 | SCREW (M4 X 20 mm) | 9 |
| 8 | 900701001 | FELT WASHER..... | 1 | 33 | 940999018 | DATA LABEL..... | 1 |
| 9 | 610305001 | SPEED ADJUST GEAR | 1 | 34 | 200202303 | HOUSING ASSEMBLY | 1 |
| 10 | 690441001 | SLIPPING RACK | 1 | 35 | 5678001 | CHUCK KEY STRAP..... | 1 |
| 11 | 690541001 | COPPER CAP | 1 | 36 | 6917601 | CHUCK KEY..... | 1 |
| 12 | 690542001 | SPRING..... | 1 | 37 | 5927402 | BEND RELIEF | 1 |
| 13 | 400234001 | SPEED BUTTON..... | 1 | 38 | 730202006 | POWER CORD | 1 |
| 14 | 690457001 | STEEL TRACK ROD | 1 | 39 | 984719001 | SWITCH ASSEMBLY | 1 |
| 15 | 660290004 | SCREW (M3 X 5 mm) | 1 | 40 | 6620801 | SCREW (M4 X 12 mm) | 2 |
| 16 | 660099001 | SCREW (M2.6 X 8 mm) | 1 | 41 | 6906901 | CORD CLAMP..... | 1 |
| 17 | 660206018 | SCREW (M3.5 X 15 mm) | 2 | 42 | 984720001 | BRUSH ASSEMBLY SET | 1 |
| 18 | 680379001 | SPRING WASHER | 2 | 43 | 740399001 | FIELD ASSEMBLY | 1 |
| 19 | 690942003 | ARMATURE SHAFT SUPPORT | 1 | 44 | 984718001 | ARMATURE ASSEMBLY | 1 |
| 20 | 690885001 | WASHER..... | 2 | 45 | 900694001 | FELT SEAL | 1 |
| 21 | 590233001 | HAMMER ADJUST LEVER | 1 | 46 | 590296001 | MODE SELECTOR..... | 1 |
| 22 | 690477001 | HAMMER ADJUST PLATE..... | 1 | 47 | 940999017 | LOGO LABEL | 1 |
| 23 | 6721901 | STEEL BALL | 1 | 48 | 300636097 | CARRYING CASE | 1 |
| 24 | 6703001 | SPRING WASHER | 2 | | 983000633 | OPERATOR'S MANUAL (960974001) | |
| 25 | 660237005 | SCREW (M4 X 37 mm) | 2 | | 983000633R | REPAIR SHEET (REV:00) | |
| | | | | | 03-17-05 | | |

WARNING: Improper repair of a double insulated tool can result in damage to the double insulation system possibly causing electrical shock or electrocution. Any repairs requiring disassembly of your tool requires safety testing and should only be performed by a Ryobi Authorized Service Center. For the service center nearest you call 1-800-525-2579.

* STANDARD HARDWARE ITEM – MAY BE PURCHASED LOCALLY



WIRING DIAGRAM