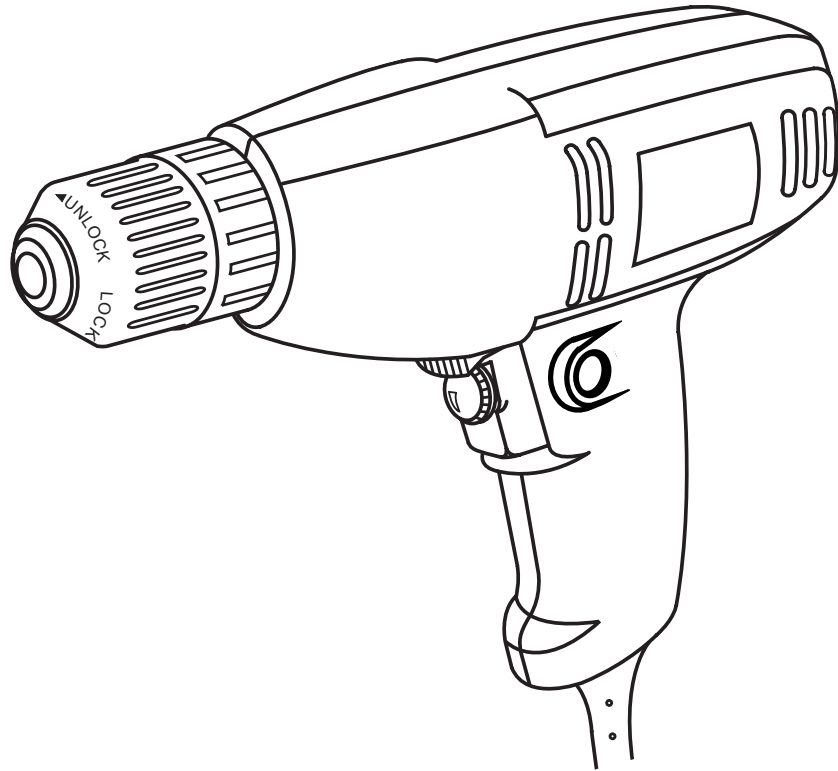




OWNER'S OPERATING MANUAL

3/8 in. (10 mm) Electric Drill – D28VSR

DOUBLE INSULATED



SPECIFICATIONS:

Chuck Capacity	1/16 in. (1.6 mm) To 3/8 in. (10 mm)
Switch	Adjustable Variable Speed/Reversible
Rating	120 volts, 60 Hz, AC
Input	3.0 Amperes
No Load Speed	0-1300 RPM
Horsepower	1/3

THANK YOU FOR BUYING A RYOBI DRILL.

Your new drill has been engineered and manufactured to Ryobi's high standard for dependability, ease of operation, and operator safety. Properly cared for, it will give you years of rugged, trouble-free performance.

⚠ CAUTION: Carefully read through this entire owner's manual before using your new drill. Pay close attention to the Rules for Safe Operation, Warnings, and Cautions. If you use your drill properly and only for what it is intended, you will enjoy years of safe, reliable service.

Thank you again for buying Ryobi tools.

SAVE THIS MANUAL FOR FUTURE REFERENCE

TABLE OF CONTENTS

1. Product Specifications	1
2. Table Of Contents	2
3. Rules For Safe Operation	2-4
4. Operation	5-10
5. Maintenance	11
6. Parts Ordering / Service	12

RULES FOR SAFE OPERATION

The purpose of safety symbols is to attract your attention to possible dangers. The safety symbols, and the explanations with them, deserve your careful attention and understanding. The safety warnings do not by themselves eliminate any danger. The instructions or warnings they give are not substitutes for proper accident prevention measures.

SYMBOL	MEANING
--------	---------



SAFETY ALERT SYMBOL:

Indicates caution or warning. May be used in conjunction with other symbols or pictographs.



WARNING: Failure to obey a safety warning can result in serious injury to yourself or to others. Always follow the safety precautions to reduce the risk of fire, electric shock and personal injury.



CAUTION: Failure to obey a safety warning may result in property damage or personal injury to yourself or to others. Always follow the safety precautions to reduce the risk of fire, electric shock and personal injury.

NOTE: Advises you of information or instructions vital to the operation or maintenance of the equipment.

DOUBLE INSULATION

Your Ryobi power tool is double insulated. This means you are separated from the tool's electrical system by two complete sets of electrical insulation. This extra layer of insulation is intended to protect the user from electrical shock due to a break in the wiring insulation. All exposed metal parts are isolated from the internal metal motor components with protecting insulation. Double insulated tools do not need to be grounded.



WARNING:

The double insulated system is intended to protect the user from shock resulting from a break in the tool's internal wiring. Observe all normal safety precautions related to avoiding electrical shock.

IMPORTANT

Servicing of a tool with double insulation requires extreme care and knowledge of the system and should be performed only by a qualified service technician. For service we suggest you return the tool to your nearest **RYOBI AUTHORIZED SERVICE CENTER** for repair. When servicing use only identical Ryobi replacement parts.



WARNING:

Do not attempt to operate this tool until you have read thoroughly and understand completely all instructions, safety rules, etc. contained in this manual. Failure to comply can result in accidents involving fire, electric shock, or serious personal injury. Save owner's manual and review frequently for continuing safe operation, and instructing others who may use this tool.

READ ALL INSTRUCTIONS

1. **KNOW YOUR POWER TOOL.** Read owner's manual carefully. Learn its applications and limitations as well as the specific potential hazards related to this tool.
2. **GUARD AGAINST ELECTRICAL SHOCK** by preventing body contact with grounded surfaces. For example: Pipes, radiators, ranges, refrigerator enclosures.
3. **KEEP GUARDS IN PLACE** and in working order.
4. **KEEP WORK AREA CLEAN.** Cluttered areas and benches invite accidents.
5. **AVOID DANGEROUS ENVIRONMENT.** Don't use power tool in damp or wet locations or expose to rain. Keep work area well lit.
6. **KEEP CHILDREN AND VISITORS AWAY.** All visitors should wear safety glasses and be kept a safe distance from work area. Do not let visitors contact tool or extension cord.
7. **STORE IDLE TOOLS.** When not in use tools should be stored in a dry and high or locked-up place - out of the reach of children.
8. **DON'T FORCE TOOL.** It will do the job better and safer at the rate for which it was designed.
9. **USE RIGHT TOOL.** Don't force small tool or attachment to do the job of a heavy duty tool. Don't use tool for purpose not intended - for example - A circular saw should never be used for cutting tree limbs or logs.
10. **WEAR PROPER APPAREL.** Do not wear loose clothing or jewelry that can get caught in the tool's moving parts and cause personal injury. Rubber gloves and nonskid footwear are recommended when working outdoors. Wear protective hair covering to contain long hair and keep it from being drawn into nearby air vents.
11. **ALWAYS WEAR SAFETY GLASSES.** Everyday eyeglasses have only impact-resistant lenses; they are **NOT** safety glasses.
12. **PROTECT YOUR LUNGS.** Wear a face or dust mask if operation is dusty.
13. **PROTECT YOUR HEARING.** Wear hearing protection during extended periods of operation.
14. **DON'T ABUSE CORD.** Never carry tool by cord or yank it to disconnect from receptacle. Keep cord from heat, oil and sharp edges.
15. **SECURE WORK.** Use clamps or a vise to hold work. Both hands are needed to operate the tool.
16. **DON'T OVERREACH.** Keep proper footing and balance at all times. Do not use on a ladder or unstable support.
17. **MAINTAIN TOOLS WITH CARE.** Keep tools sharp at all times, and clean for best and safest performance. Follow instructions for lubricating and changing accessories.
18. **DISCONNECT TOOLS.** When not in use, before servicing, or when changing attachments, blades, bits, cutters, etc., all tools should be disconnected from power supply.
19. **REMOVE ADJUSTING KEYS AND WRENCHES.** Form habit of checking to see that keys and adjusting wrenches are removed from tool before turning it on.
20. **AVOID ACCIDENTAL STARTING.** Don't carry plugged-in tools with finger on switch. Be sure switch is off when plugging in.
21. **MAKE SURE YOUR EXTENSION CORD IS IN GOOD CONDITION.** When using an extension cord, be sure to use one heavy enough to carry the current your product will draw. An undersized cord will cause a drop in line voltage resulting in loss of power and overheating. A wire gage size (A.W.G.) of at least 16 is recommended for an extension cord 100 feet or less in length. A cord exceeding 100 feet is not recommended. If in doubt, use the next heavier gage. The smaller the gage number, the heavier the cord.
22. **OUTDOOR USE EXTENSION CORDS.** When tool is used outdoors, use only extension cords suitable for use outdoors. Outdoor approved cords are marked with the suffix W-A, for example - SJTW-A or SJOW-A.
23. **KEEP BITS CLEAN AND SHARP.** Sharp bits minimize stalling and kickback.
24. **KEEP HANDS AWAY FROM DRILLING AREA.** Keep hands away from bits. Do not reach underneath work while bit is rotating. Do not attempt to remove material while bit is rotating.
25. **NEVER USE IN AN EXPLOSIVE ATMOSPHERE.** Normal sparking of the motor could ignite fumes.
26. **INSPECT TOOL CORDS PERIODICALLY** and if damaged, have repaired at your nearest authorized service center. Stay constantly aware of cord location.
27. **INSPECT EXTENSION CORDS PERIODICALLY** and replace if damaged.

RULES FOR SAFE OPERATION (Continued)

28. **KEEP HANDLES DRY, CLEAN, AND FREE FROM OIL AND GREASE.** Always use a clean cloth when cleaning. Never use brake fluids, gasoline, petroleum-based products or any strong solvents to clean your tool.
29. **STAY ALERT.** Watch what you are doing and use common sense. Do not operate tool when you are tired. Do not rush.
30. **CHECK DAMAGED PARTS.** Before further use of the tool, a guard or other part that is damaged should be carefully checked to determine that it will operate properly and perform its intended function. Check for alignment of moving parts, binding of moving parts, breakage of parts, mounting, and any other conditions that may affect its operation. A guard or other part that is damaged should be properly repaired or replaced by an authorized service center unless indicated elsewhere in this instruction manual.
31. **DO NOT USE TOOL IF SWITCH DOES NOT TURN IT ON AND OFF.** Have defective switches replaced by an authorized service center.
32. **DRILLING INTO ELECTRICAL WIRING IN WALLS CAN CAUSE DRILL BIT AND CHUCK TO BECOME ELECTRICALLY LIVE.** Do not touch the chuck or metal housing when drilling into a wall; grasp only the insulated handle(s) provided on the tool.
33. **INSPECT FOR** and remove all nails from lumber before drilling.
34. **DRUGS, ALCOHOL, MEDICATION.** Do not operate tool while under the influence of drugs, alcohol, or any medication.
35. **WHEN SERVICING USE ONLY IDENTICAL RYOBI REPLACEMENT PARTS.**
36. **POLARIZED PLUGS.** To reduce the risk of electric shock, this tool has a polarized plug (one blade is wider than the other). This plug will fit in a polarized outlet only one way. If the plug does not fit fully in the outlet, reverse the plug. If it still does not fit, contact a qualified electrician to install the proper outlet. Do not change the plug in any way.
37. **SAVE THESE INSTRUCTIONS.** Review them frequently and use them to instruct others who may use this tool. If you loan someone this tool, loan them these instructions also.



WARNING:

Some dust created by power sanding, sawing, grinding, drilling, and other construction activities contains chemicals known to cause cancer, birth defects or other reproductive harm. Some examples of these chemicals are:

- lead from lead-based paints,
- crystalline silica from bricks and cement and other masonry products, and
- arsenic and chromium from chemically-treated lumber.

Your risk from these exposures varies, depending on how often you do this type of work. To reduce your exposure to these chemicals: work in a well ventilated area, and work with approved safety equipment, such as those dust masks that are specially designed to filter out microscopic particles.



WARNING:



The operation of any drill can result in foreign objects being thrown into your eyes, which can result in severe eye damage. Before beginning power tool operation, always wear safety goggles or safety glasses with side shields and a full face shield when needed. We recommend Wide Vision Safety Mask for use over eyeglasses or standard safety glasses with side shields.



Look for this symbol to point out important safety precautions. It means attention!!! Your safety is involved.

OPERATION

KNOW YOUR ELECTRIC DRILL

See Figure 1.

Before attempting to use your drill, familiarize yourself with all operating features and safety requirements.



WARNING:

If any parts are missing do not operate your drill until the missing parts are replaced. Failure to do so could result in possible serious injury.

APPLICATIONS

(Use only for the purposes listed below)

1. Drilling in wood.
2. Drilling in ceramics, plastics, fiberglass, and laminates.
3. Drilling in both hard and soft metals.
4. Using driving accessories, such as driving screws with screwdriver bits.
5. Mixing paints.

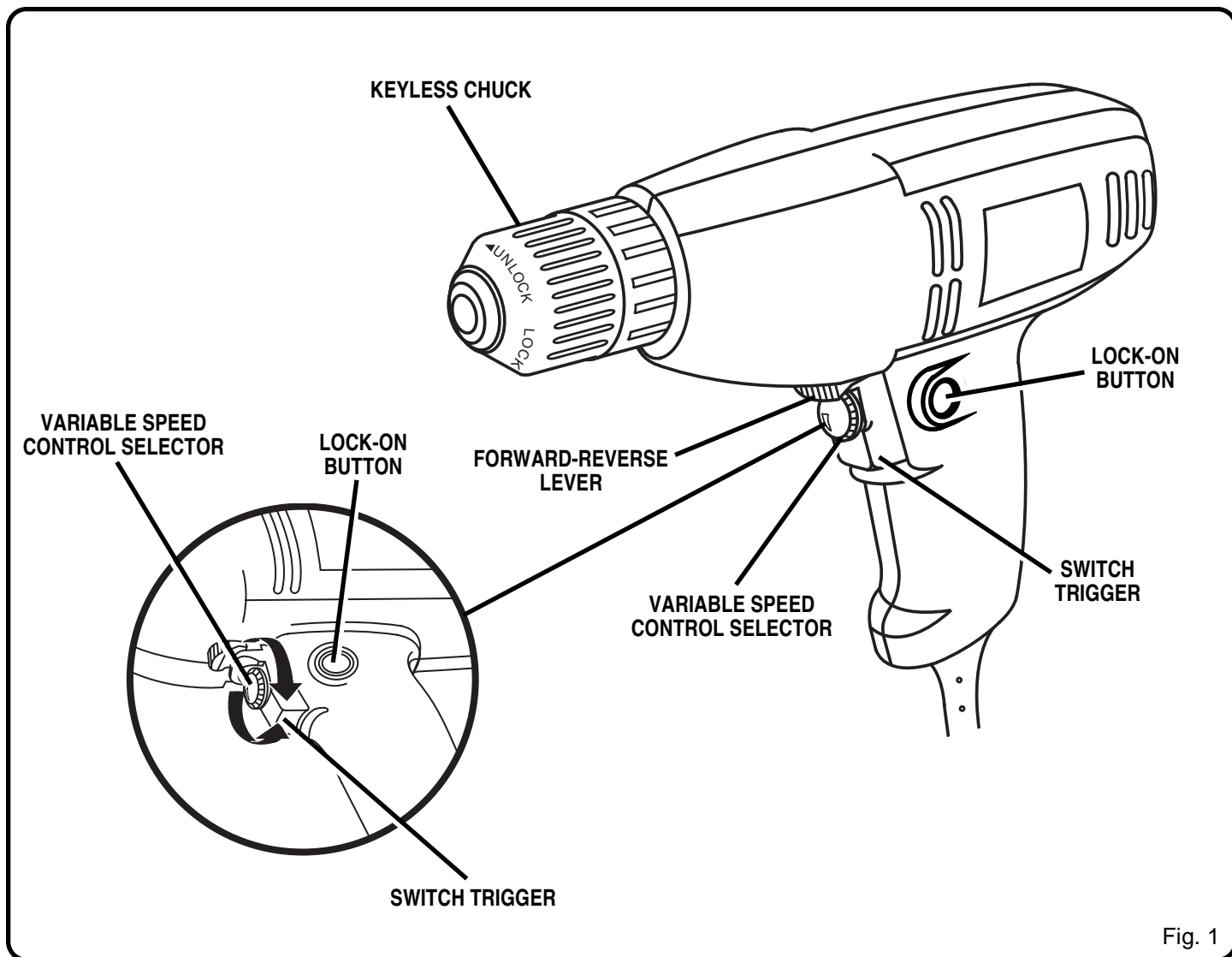


Fig. 1



WARNING:

Do not allow familiarity with your drill to make you careless. Remember that a careless fraction of second is sufficient to inflict severe injury.

ELECTRICAL CONNECTION

Your drill has a precision built Ryobi electric motor. It should be connected to a **power supply that is 120 volts, 60 Hz only**. Do not operate this tool on direct current (DC). A voltage drop of more than 10 percent will cause a loss of power and the motor will overheat. If this tool does not operate when plugged into an outlet, double-check the power supply.

OPERATION

KEYLESS CHUCK

See Figure 2.

Your new drill has a keyless chuck. As the name implies, you can hand tighten or release drill bits in the chuck jaws. Grasp and hold the collar of the chuck with one hand. Rotate the chuck body with your other hand. The arrows on the chuck indicate which direction to rotate the chuck body in order to **LOCK** (tighten) or **UNLOCK** (release) the drill bit.

NOTE: Closing chuck jaws completely without a bit inserted could cause premature failure of the chuck.



WARNING:

Do not hold chuck body with one hand and use power of the drill to tighten chuck jaws on drill bits. Chuck body could slip in your hand or your hand could slip and come in contact with rotating drill bit. This could cause an accident resulting in serious personal injury.

SWITCH

See Figure 3.

To turn your drill **ON**, depress the switch trigger. Release switch trigger to turn your drill **OFF**.

LOCK-ON BUTTON

See Figure 3.

Your drill is equipped with a "lock-on" feature, which is convenient when continuous drilling for extended periods of time is required. To lock-on, depress the switch trigger, push in and hold the lock-on button located on the side of the handle, then release switch trigger. Release lock-on button and your drill will continue running.

To release the lock, depress the switch trigger and release it.

If you have the "lock-on" feature engaged during use and your drill becomes disconnected from power supply, disengage the "lock-on" feature immediately.



WARNING:

Before connecting your drill to power supply source, always check to be sure it is not in "lock-on" position (depress and release switch trigger). Failure to do so could result in accidental starting of your drill resulting in possible serious injury. Also, do not lock the trigger on jobs where your drill may need to be stopped suddenly.

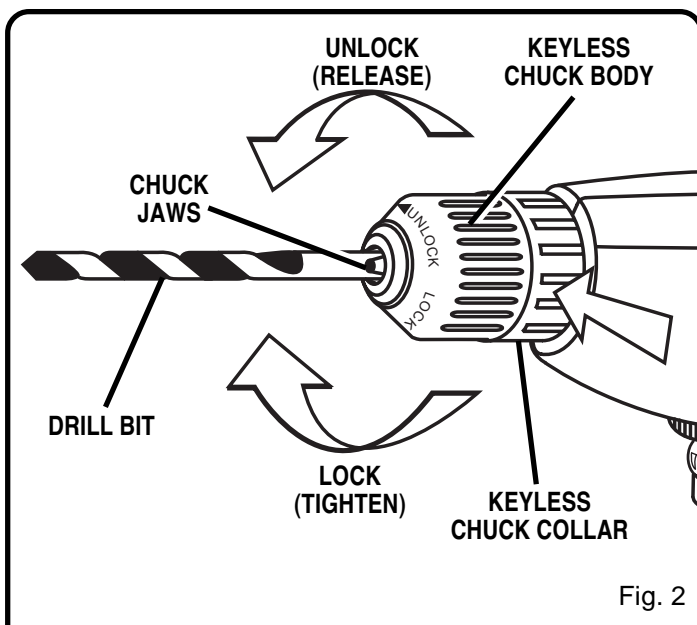


Fig. 2

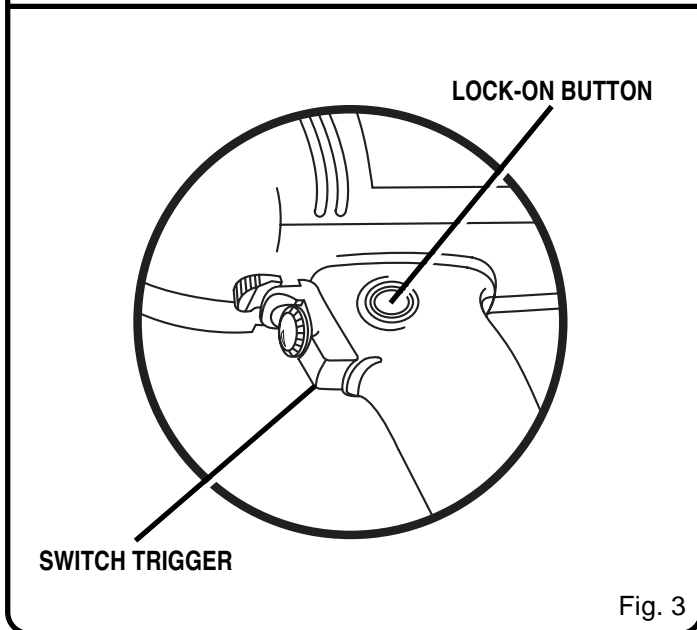


Fig. 3

OPERATION

REVERSIBLE

See Figure 4.

Your drill has the feature of being reversible. The direction of chuck rotation is controlled by a lever located above the switch trigger. With your drill held in normal operating position, the direction of rotation lever should be positioned to the left of the switch for drilling operation. The direction of rotation is reversed when the lever is to the right of the switch.

The design of the switch will not permit changing the direction of rotation while the drill is running. Release the switch trigger and allow the drill to stop before changing its direction.

NOTE: Your drill will not run unless switch lever is pushed fully to the left or right.

VARIABLE SPEED

See Figure 5.

Your drill has a variable speed control selector designed to allow operator control and adjustment of speed and torque limits. The speed and torque of your drill can be increased or decreased by rotating the variable speed control selector in the direction of the arrows shown in figure 5.

NOTE: Hold your drill in normal operating position and turn the variable speed control selector clockwise to increase the speed and torque of your drill. Turn counterclockwise to decrease the speed and torque of your drill.

If you desire to lock the switch on at a given speed, depress the switch trigger, push in and hold the lock-on button, and release the switch trigger. Next, adjust the variable speed control selector until the desired speed is reached.

NOTE: If the variable speed control selector is fully turned in the counterclockwise direction (zero setting) your drill may not run.

If you desire not to use the variable speed control selector, turn it in the full clockwise direction. This will allow the speed of your drill to be fully controlled by the amount of switch trigger depression.

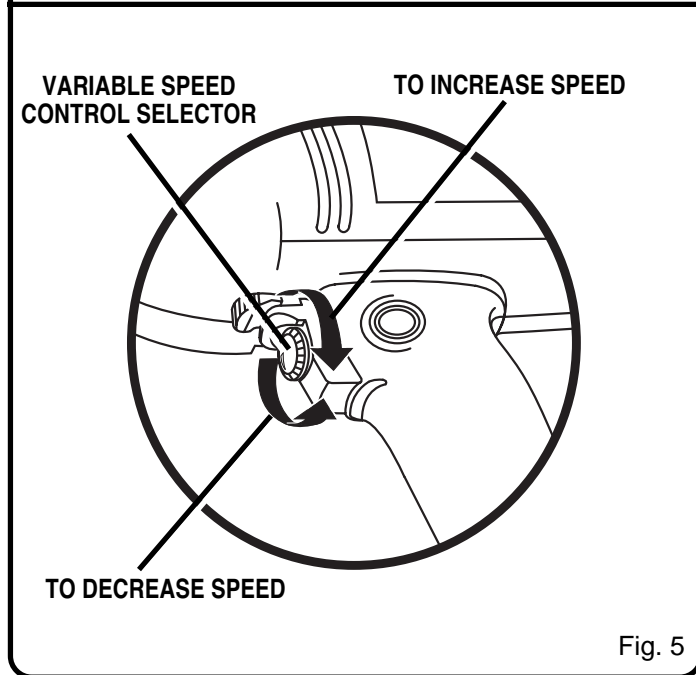
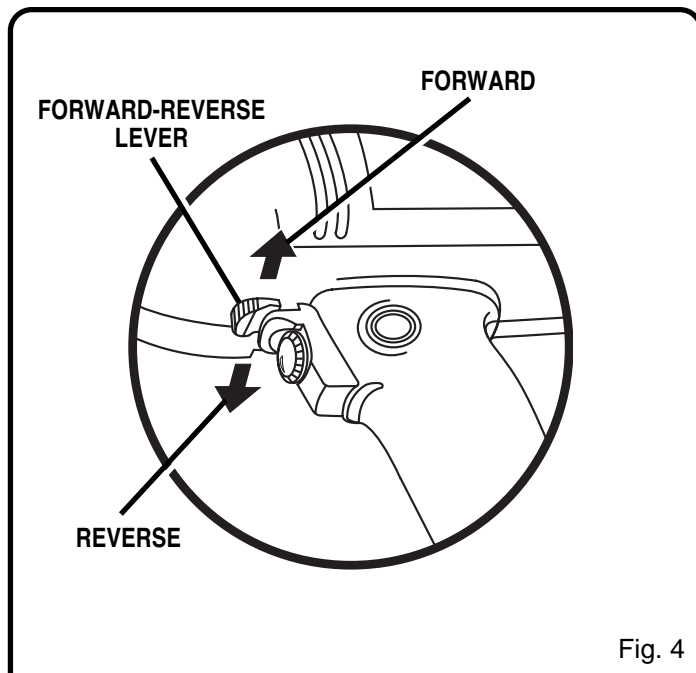
Avoid running your drill at low speeds for extended periods of time. Running at low speeds under constant usage may cause your drill to become overheated. If this occurs, cool your drill by running it without a load and at full speed.

The following guidelines may be used in determining correct speed for various applications:

LOW speed is ideal when minimum speed and power is required. For example: starting holes without center punching, driving screws, mixing paint, and drilling in ceramics.

MEDIUM speed is suitable for drilling hard metals, plastics, and laminates.

HIGH speed produces best results when maximum power is required. For example: drilling in wood; soft metals such as aluminum, brass, and copper; and when using driving accessories.



OPERATION

WARNING:

Your drill should never be connected to power supply when you are assembling parts, making adjustments, installing or removing drill bits, or when not in use. Disconnecting your drill will prevent accidental starting that could cause serious injury.

TO INSTALL BITS

See Figure 6.

1. **UNPLUG YOUR DRILL.**

WARNING:

Failure to unplug your drill could result in accidental starting causing serious injury.

2. Open or close the chuck jaws to a point where the opening is slightly larger than the drill bit you intend to use. Also, raise the front of your drill slightly to keep the drill bits from falling out of the chuck jaws.
3. Insert drill bit into chuck the full length of the jaws.

WARNING:

Do not insert drill bit into chuck jaws and tighten as shown in figure 7. This could cause drill bit to be thrown from your drill resulting in possible serious personal injury or damage to your chuck.

4. Tighten the chuck jaws securely on drill bit.
5. To tighten the chuck jaws on drill bit; grasp and hold the collar of the chuck with one hand, while rotating the chuck body with your other hand.

NOTE: Rotate the chuck body in the direction of the arrow marked **LOCK** to tighten chuck jaws. **Do not use a wrench to tighten or loosen the chuck jaws.**

TO REMOVE BITS

1. **UNPLUG YOUR DRILL.**

WARNING:

Failure to unplug your drill could result in accidental starting causing serious injury.

2. Loosen the chuck jaws from drill bit.
3. To loosen: grasp and hold the collar of the chuck with one hand, while rotating chuck body with your other hand.

NOTE: Rotate chuck body in the direction of the arrow marked **UNLOCK** to loosen chuck jaws. **Do not use a wrench to tighten or loosen the chuck jaws.**

4. Remove drill bit from chuck jaws.

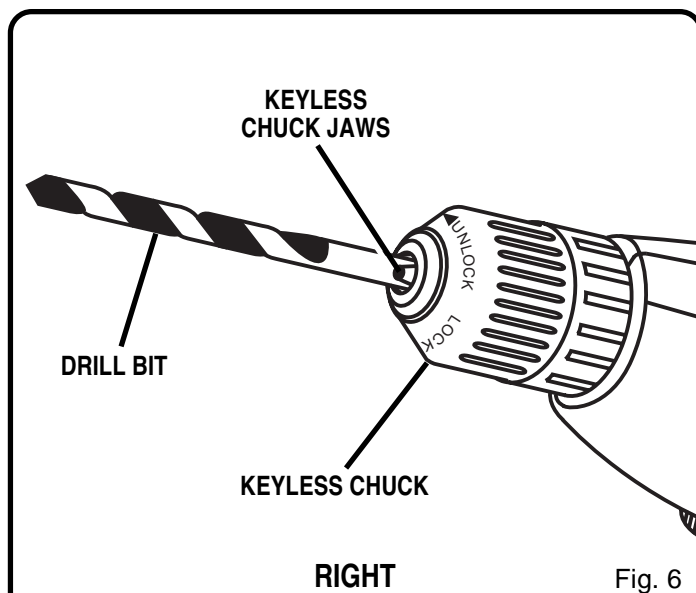


Fig. 6

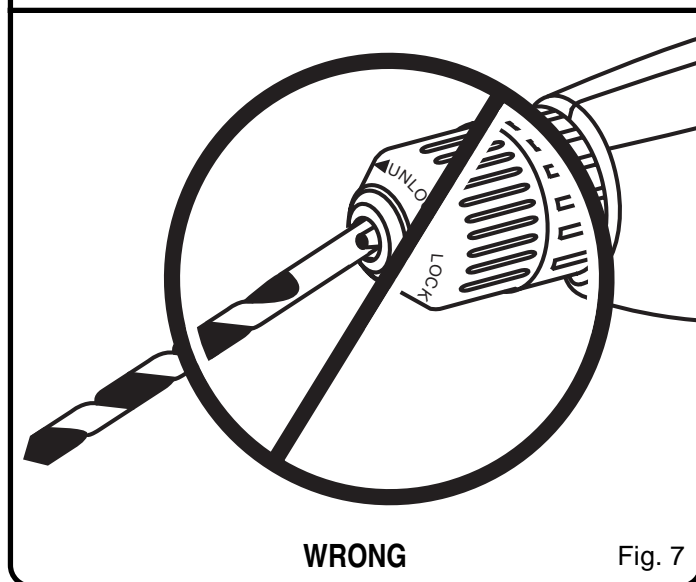


Fig. 7

OPERATION



WARNING:

Always wear safety goggles or safety glasses with side shields when operating drill. Failure to do so could result in dust, shavings, or loose particles being thrown into your eyes, resulting in possible serious injury.

DRILLING

See Figure 8.

1. Depress and release the switch trigger to be sure your drill is in **OFF** position before connecting it to power supply.
2. Check the direction of rotation lever for correct setting (forward or reverse). See Figure 4, Page 7.
3. Secure the material to be drilled in a vise or with clamps to keep it from turning as the drill bit rotates.
4. Plug your drill into power supply source.
5. Hold your drill firmly and place the bit at the point to be drilled.
6. Depress the switch trigger to start your drill. Do not lock the switch **ON** for jobs where your drill may need to be stopped suddenly.
7. Move the drill bit into the workpiece applying only enough pressure to keep the bit cutting. Do not force your drill or apply side pressure to elongate a hole. Let your drill and bit do the work. See Figure 8.



WARNING:

Be prepared for binding or breakthrough. When these situations occur, drill has a tendency to grab and kick in the opposite direction and could cause loss of control when breaking through material. If not prepared, this loss of control can result in possible serious injury.

When drilling hard, smooth surfaces use a center punch to mark the desired hole location. This will prevent the drill bit from slipping off center as the hole is started. However, the variable speed feature allows starting holes without center punching if desired. To accomplish this, operate your drill at a low speed until the hole is started.

When drilling metals use a light oil on the drill bit to keep it from overheating. The oil will prolong the life of the bit and increase the drilling action.

If the bit jams in the workpiece or if your drill stalls, stop the tool immediately. Remove the bit from the workpiece and determine the reason for jamming.

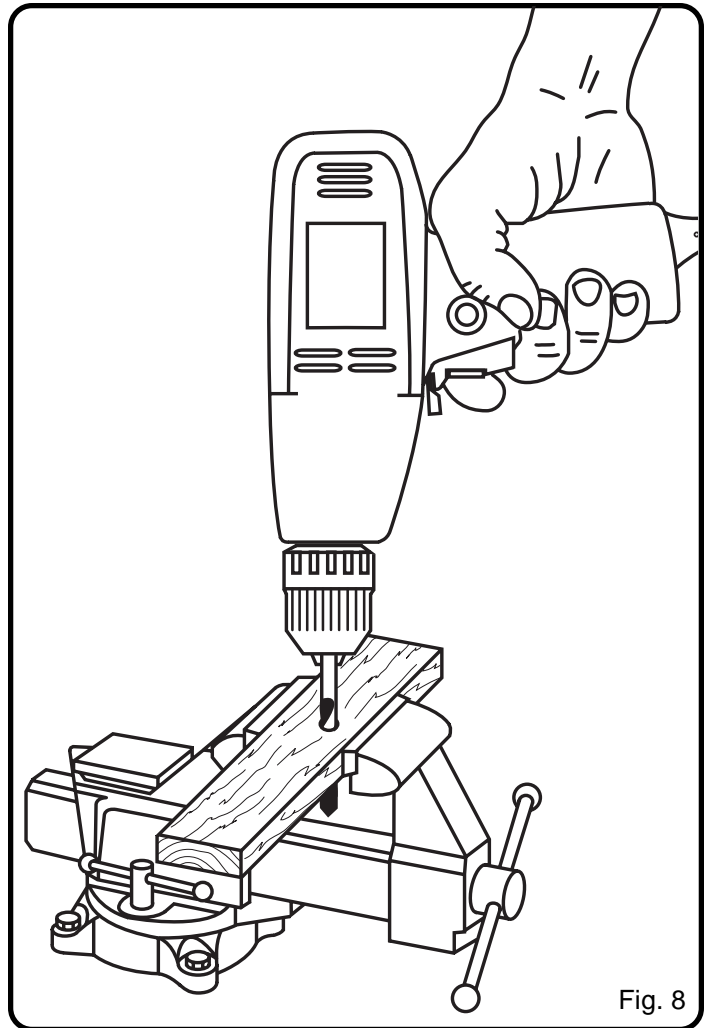


Fig. 8

OPERATION

CHUCK REMOVAL

See Figure 9.

Whenever necessary to remove the chuck for replacement, etc., use the following procedure for chuck removal:

1. **UNPLUG YOUR DRILL.**



WARNING:

Failure to unplug your drill could result in accidental starting causing serious injury.

2. Open chuck jaws.
3. Insert a 5/16 inch or larger hex key wrench (Allen wrench) into the chuck of your drill and tighten the chuck jaws securely.
4. Tap sharply with a mallet in a counterclockwise direction.
5. This will loosen the chuck on the spindle.
6. It can now be unscrewed by hand. See Figure 9.
7. Open the chuck jaws and remove hex key wrench.

TO RETIGHTEN A LOOSE CHUCK

The chuck may at times become loose on the spindle and develop a wobble. To tighten, follow these steps:

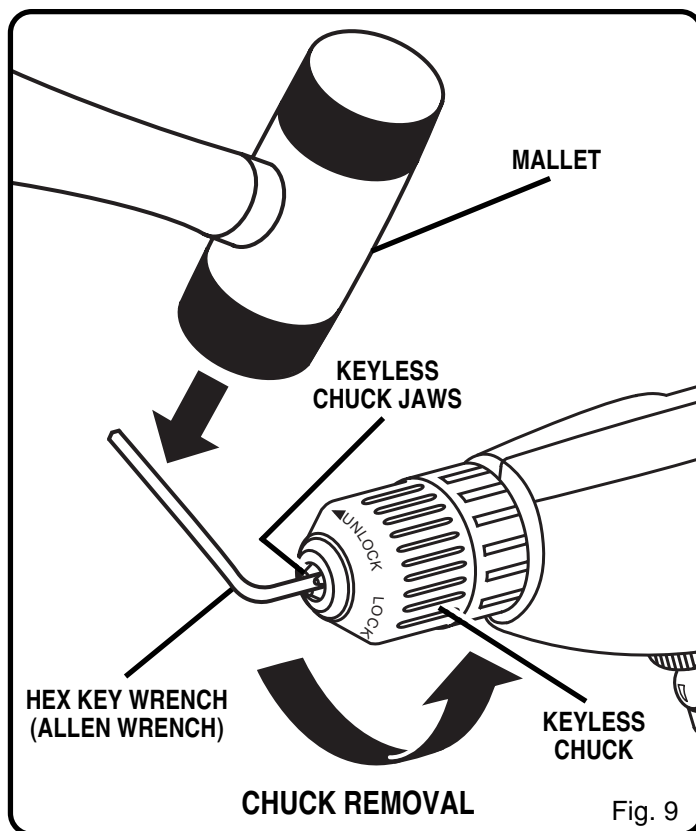
1. **UNPLUG YOUR DRILL.**



WARNING:

Failure to unplug your drill could result in accidental starting causing serious injury.

2. Insert hex key wrench into chuck and tighten chuck jaws securely.
3. Tap Allen wrench sharply with a mallet in a clockwise direction.
4. This will tighten the chuck on the spindle.
5. Open the chuck jaws and remove hex key wrench.



MAINTENANCE



WARNING:

When servicing use only identical Ryobi replacement parts. Use of any other parts may create a hazard or cause product damage.

GENERAL

Avoid using solvents when cleaning plastic parts. Most plastics are susceptible to damage from various types of commercial solvents and may be damaged by their use. Use clean cloths to remove dirt, carbon dust, etc.



WARNING:

Do not at any time let brake fluids, gasoline, petroleum-based products, penetrating oils, etc. come in contact with plastic parts. They contain chemicals that can damage, weaken, or destroy plastic.

EXTENSION CORDS

The use of any extension cord will cause some loss of power. To keep the loss to a minimum and to prevent tool from overheating, use an extension cord that is heavy enough to carry the current the tool will draw.

A wire gage size (A.W.G.) of at least **16** is recommended for an extension cord 100 feet or less in length. When working outdoors, use an extension cord that is suitable for outdoor use. The cord's jacket will be marked **WA**.



CAUTION:

Keep extension cords away from the drilling area and position the cord so that it will not get caught on lumber, tools, etc., during drilling operation.

When electric tools are used on fiberglass boats, sports cars, wallboard, spackling compounds, or plaster, it has been found that they are subject to accelerated wear and possible premature failure, as the fiberglass chips and grindings are highly abrasive to bearings, brushes, commutators, etc. Consequently it is not recommended that this tool be used for extended work on any fiberglass material, wallboard, spackling compounds, or plaster. During any use on fiberglass it is extremely important that the tool is cleaned frequently by blowing with an air jet.



WARNING:

Always wear safety goggles or safety glasses with side shields during power tool operation or when blowing dust. If operation is dusty, also wear a dust mask.



WARNING:

Check extension cords before each use. If damaged replace immediately. Never use tool with a damaged cord since touching the damaged area could cause electrical shock resulting in serious injury.



WARNING:

Do not use this product as a component of other products. Also, do not use attachments or accessories not recommended for use with this product. Any such use could result in possible serious personal injury.

LUBRICATION

All of the bearings in this tool are lubricated with a sufficient amount of high grade lubricant for the life of the unit under normal operating conditions. Therefore, no further lubrication is required.



OWNER'S OPERATING MANUAL

3/8 in. (10 mm) Electric Drill – D28VSR

DOUBLE INSULATED

- **SERVICE**

Now that you have purchased your tool, should a need ever exist for repair parts or service, simply contact your nearest Ryobi Authorized Service Center. Be sure to provide all pertinent facts when you call or visit. Please refer to the Service Center insert or call 1-800-525-2579 in the United States or 1-800-265-6778 in Canada for your nearest Ryobi Authorized Service Center. You can also check our web site at www.ryobi.com for a complete list of Authorized Service Centers.

- **MODEL NO. AND SERIAL NO.**

The model number of this tool will be found on a plate attached to the motor housing. Please record the model number and serial number in the space provided below.

- **HOW TO ORDER REPAIR PARTS**

WHEN ORDERING REPAIR PARTS,
ALWAYS GIVE THE FOLLOWING INFORMATION:

- MODEL NUMBER **D28VSR**
- SERIAL NUMBER _____

RYOBI TECHNOLOGIES INC.

1428 Pearman Dairy Road Anderson, SC 29625
Post Office Box 1207 Anderson, SC 29622-1207
Phone 1-800-525-2579

RYOBI TECHNOLOGIES INC.

Post Office Box 910
Cambridge, Ontario N1R 6K2
Phone 1-800-265-6778