

**RYOBI**  
**7-1/4 in. LASER CIRCULAR SAW**  
**MODEL NO. CSB140LZ**

RYOBI CIRCULAR SAW – MODEL NUMBER CSB140LZ

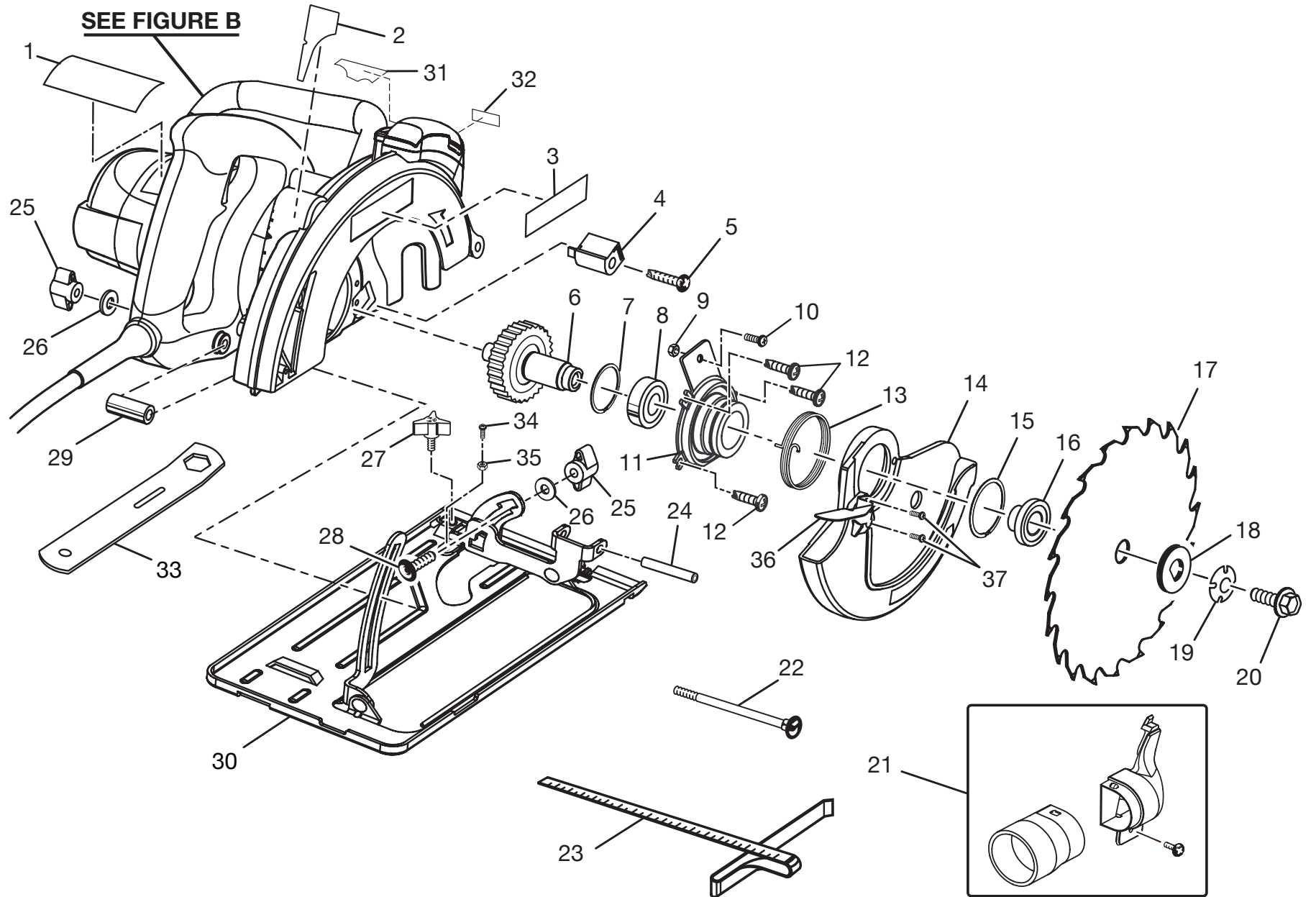


FIGURE A

## RYOBI CIRCULAR SAW – MODEL NUMBER CSB140LZ

The model number will be found on a plate attached to the motor housing. Always mention the model number in all correspondence regarding your **CIRCULAR SAW** or when ordering parts.

### PARTS LIST (FIGURE A)

KEY NO.	PART NUMBER	DESCRIPTION	QTY	KEY NO.	PART NUMBER	DESCRIPTION	QTY
1	940214079	DATA PLATE.....	1	17	680783004	SAW BLADE .....	1
2	940266003	CUTTING DEPTH LABEL.....	1	18	998463001	OUTER BLADE WASHER .....	1
3	940304082	LOGO PLATE .....	1	19	623547002	SPRING WASHER .....	1
4	974900001	BUMPER .....	1	20	612999001	BLADE SCREW .....	1
5	982492131	* SCREW (8-32 X 3/4 in. FIL. HD.) .....	1	21	982829001	DUST NOZZLE KIT .....	1
6	982822001	GEAR AND SPINDLE ASSEMBLY .....	1	22	621433007	* CARRIAGE BOLT (1/4-20 X 4 in.) .....	1
7	617096002	RETAINING RING.....	1	23	969862009	RIP GUIDE .....	1
8	615972004	BALL BEARING .....	1	24	6898001	ROLL PIN.....	1
9	6802201	HEX NUT.....	1	25	5526604	ADJUSTMENT KNOB .....	2
10	6621205	SCREW.....	1	26	931744059	FLAT WASHER.....	2
11	6447902	LOWER BLADE GUARD SUPPORT .....	1	27	550828004	KNOB BOLT .....	1
12	610122003	* SCREW (8-32 X 3/8 in. PAN HD.) .....	3	28	621433001	* CARRIAGE BOLT (1/4-20 X 1 in.) .....	1
13	967952001	TORSION SPRING.....	1	29	5542303	SPACER.....	1
14	6447602	LOWER BLADE GUARD.....	1	30	3053005	BASE ASSEMBLY .....	1
15	718602804	RETAINING RING.....	1	31	940299474	LAZER WARNING LABEL A .....	1
16	967887003	INNER FLANGE BUSHING.....	1	32	940299475	LAZER WARNING LABEL B .....	1
				33	974716001	WRENCH .....	1
				34	614658010	* SCREW (8-32 X 3/8 in. PAN HD.) .....	1
				35	706404007	* HEX NUT (8-32) .....	1
				36	590180002	HANDLE LEVER.....	1
				37	615954003	* SCREW (8-18 X 3/8 in. PAN HD.) .....	2

\* STANDARD HARDWARE ITEM – MAY BE PURCHASED LOCALLY.

RYOBI CIRCULAR SAW – MODEL NUMBER CSB140LZ

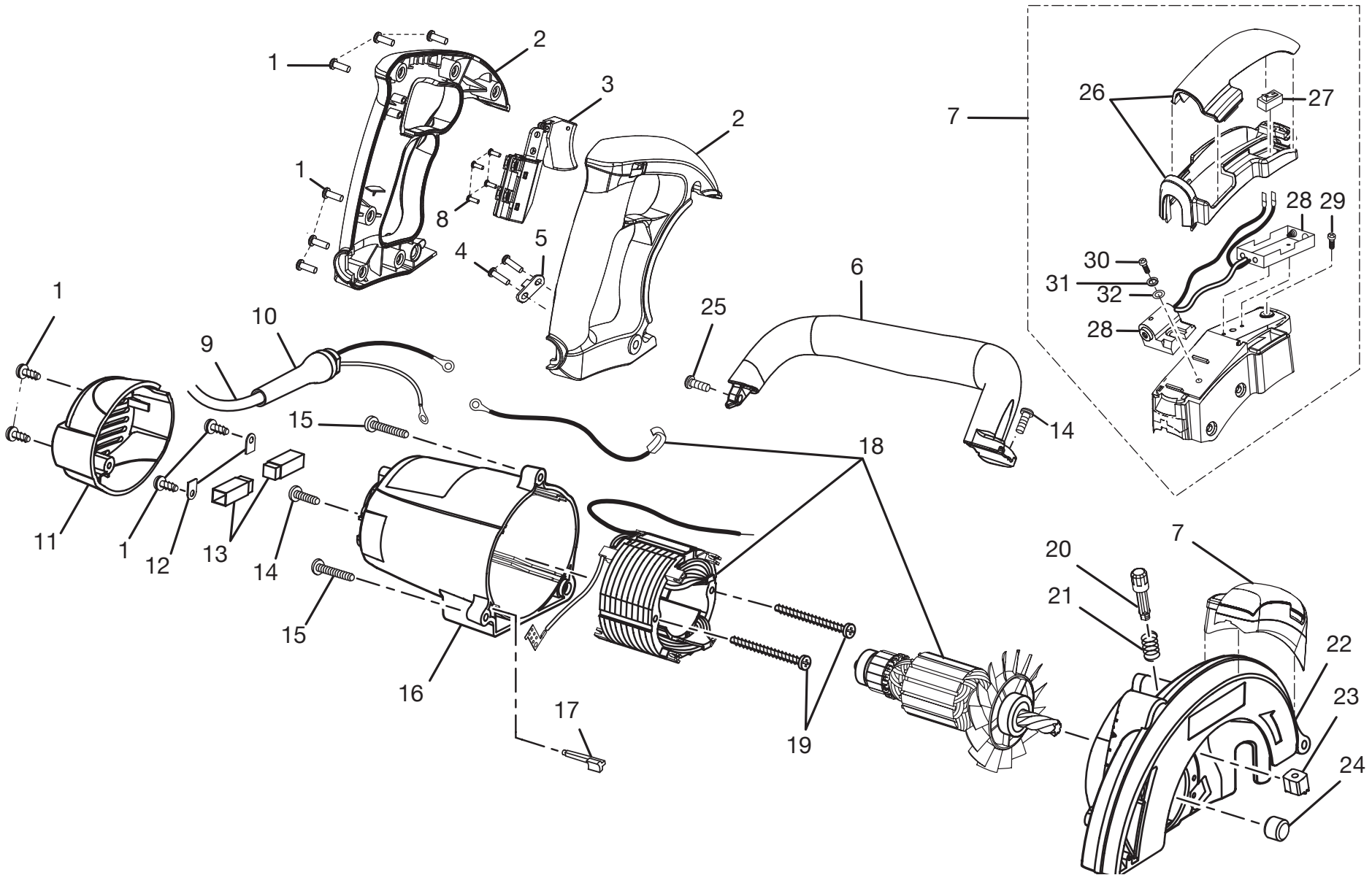


FIGURE B

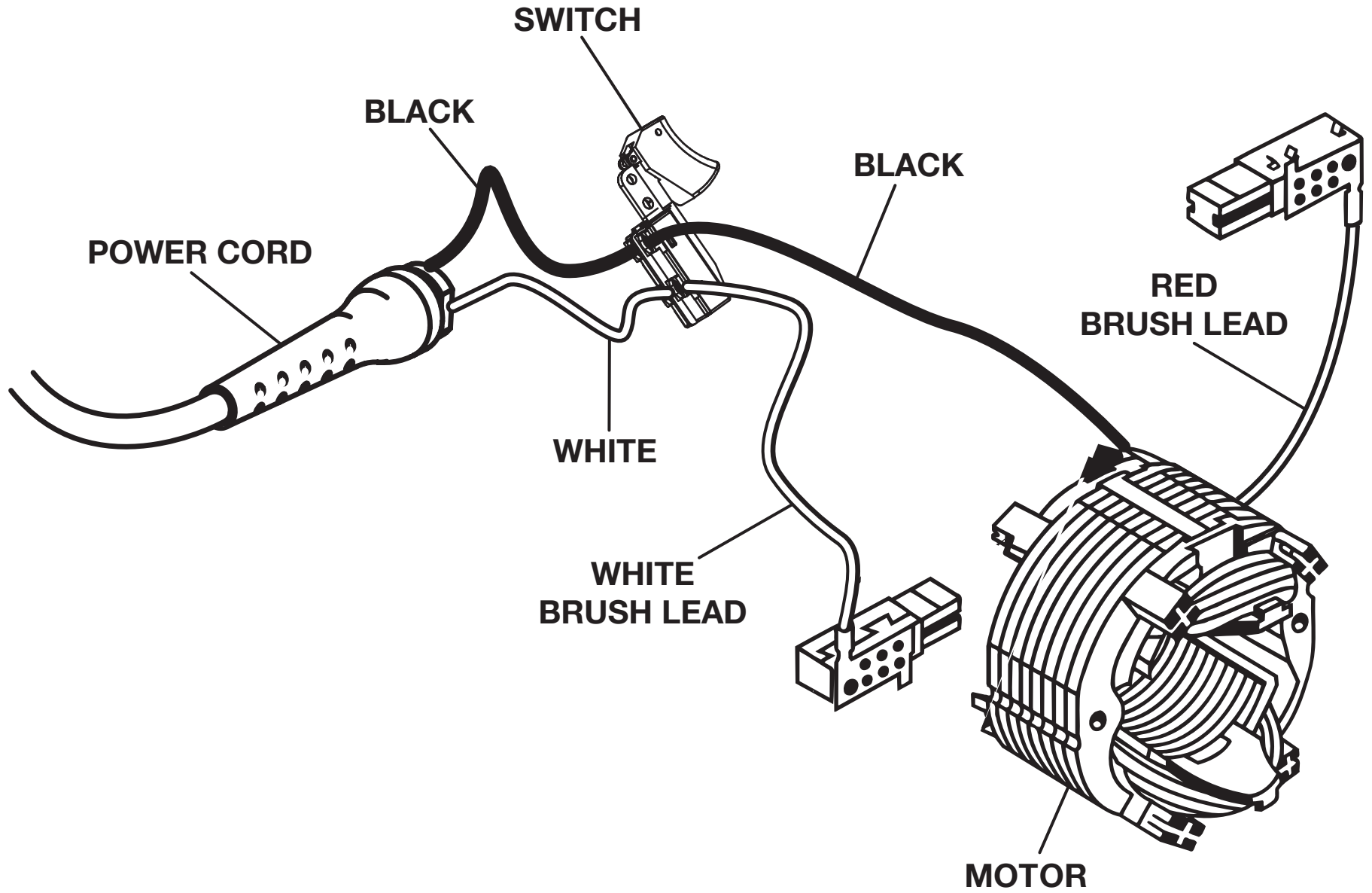
**⚠ WARNING: IMPROPER REPAIR OF A DOUBLE INSULATED TOOL CAN RESULT IN DAMAGES TO THE DOUBLE INSULATION SYSTEM POSSIBLY CAUSING ELECTRICAL SHOCK OR ELECTROCUTION. ANY REPAIRS REQUIRING DISASSEMBLY OF YOUR TOOL REQUIRES SAFETY TESTING AND SHOULD ONLY BE PERFORMED BY A RYOBI AUTHORIZED SERVICE CENTER. FOR THE SERVICE CENTER NEAREST YOU CALL 1-800-525-2579.**

## RYOBI CIRCULAR SAW – MODEL NUMBER CSB140LZ

The model number will be found on a plate attached to the motor housing. Always mention the model number in all correspondence regarding your **CIRCULAR SAW** or when ordering parts.

### PARTS LIST (Figure B)

KEY NO.	PART NUMBER	DESCRIPTION	QTY.
1	968702007	* SCREW (8-16 X 1/2 in. PAN HD.).....	10
2	200235003	HANDLE ASSEMBLY .....	1
3	760245003	SWITCH .....	1
4	6620614	* SCREW (M3.5 X 14mm).....	2
5	590924001	CORD CLAMP.....	1
6	5532101	HANDLE .....	1
7	301122001	LAZER GUIDE ATTACHMENT.....	1
8	660320001	SCREW .....	4
9	290086022	CORD .....	1
10	590274005	BEND RELIEF.....	1
11	380320003	END CAP .....	1
12	617800002	CLAMP .....	2
13	968173001	BRUSH ASSEMBLY .....	2
14	982500131	* SCREW (10-24 X 3/4 in. PAN HD.).....	2
15	982500137	* SCREW (10-24 X 1-1/8 in. PAN HD.) .....	2
16	5531904	MOTOR HOUSING.....	1
17	5579301	WIRE HOLDER.....	1
18	200146020	MOTOR ASSEMBLY .....	1
19	660101004	* SCREW (8-10 X 2-1/2 in. PAN HD.) .....	2
20	5542103	SHAFT - GEAR RACK .....	1
21	621342000	SPRING .....	1
22	640544004	UPPER BLADE GUARD .....	1
23	6889601	RACK - SHAFT LOCK .....	1
24	968149003	SLEEVE BEARING .....	1
25	6631303	SCREW (8-16 PH) .....	1
26	200314001	LASER GUIDE HOUSING ASSEMBLY.....	1
27	301246001	SWITCH .....	1
28	301245001	LASER/BATTERY ASSEMBLY.....	1
29	660212034	* SCREW (M4 X 8 mm PAN HD.).....	1
30	660212035	* SCREW (M4 X 10 mm PAN HD.).....	1
31	670115001	LOCK WASHER .....	1
32	671664001	WASHER .....	1
	3063679	CARRYING CASE (NOT SHOWN).....	1
	983000474	OPERATOR'S MANUAL	
	983000474R	REPAIR SHEET (Rev: 00)	
	09-03-04		



**WIRING DIAGRAM**