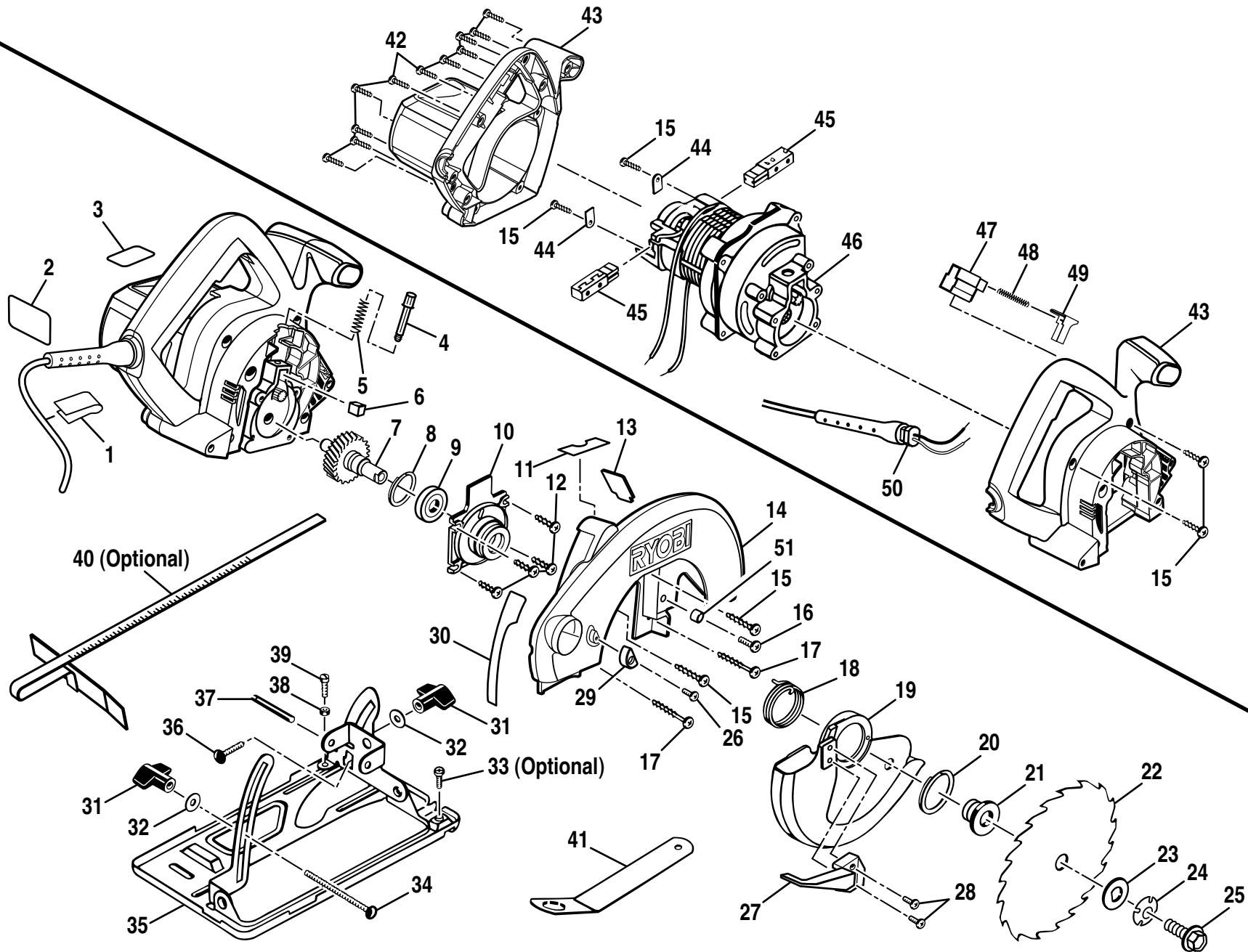


RYOBI CIRCULAR SAW – MODEL NUMBER CSB1308



WARNING: Improper repair of a double insulated tool can result in damages to the double insulation system possibly causing electrical shock or electrocution. Any repairs requiring disassembly of your tool requires safety testing and should only be performed by an Authorized Service Center.

RYOBI CIRCULAR SAW – MODEL NUMBER CSB1308

The model number will be found on a plate attached to the motor housing. Always mention the model number in all correspondence regarding your **CIRCULAR SAW** or when ordering repair parts.

PARTS LIST

Key No.	Part Number	Description	Quan.	Key No.	Part Number	Description	Quan.
1	982424-001	CORD TAG	1	29	976907-001	BUMPER	1
2	982383-001	DATA PLATE	1	30	976989-001	SCALE DECAL	1
3	980476-001	LOGO PLATE	1	31	979848-001	ADJUSTMENT KNOB	2
4	976987-001	GEAR RACK SHAFT	1	32	931744-059	WASHER	2
5	621342-000	SPRING	1	33	969778-001	SCREW OPTIONAL (USED WITH KEY NO. 40) (#10-32 X 3/8 in. PAN HD. COMB.)	1
6	968906-001	GEAR RACK	1	34	621433-018	CARRIAGE BOLT (1/4-20 X 3-3/4 in.)	1
7	968308-010	GEAR AND SPINDLE	1	35	974802-002	BASE ASSEMBLY	1
8	617096-002	RETAINING RING	1	36	621433-001	CARRIAGE BOLT (1/4-20 X 5/8 in.)	1
9	968305-007	BALL BEARING (NTN#6003LLBC3/1E)	1	37	941401-004	ROLL PIN	1
10	968091-002	LOWER BLADE GUARD SUPPORT	1	38	706404-007	HEX NUT (#8-32)	1
11	976986-001	SPINDLE LOCK DECAL	1	39	614658-010	SCREW (#8-32 X 3/8 in. PAN HD.)	1
12	974999-001	SCREW (#10-16 X 3/4 in. PAN HD.)	4	40	969862-009	EDGE GUIDE OPTIONAL (USE WITH KEY NO. 33)	1
13	976988-001	SHIELD	1	41	974716-001	WRENCH (9/16 in.)	1
14	982333-001	UPPER BLADE GUARD ASSEMBLY	1	42	617966-031	SCREW (#8-10 X 3/4 in.)	11
15	968702-011	SCREW (#8-16 X 3/4 in. PAN HD.)	6	43	974547-002	HOUSING ASSEMBLY	1
16	968705-009	SCREW (#10-24 X 5/8 in. PAN HD.)	1	44	617800-002	BRUSH TUBE CLAMP	2
17	617966-023	SCREW (#8-10 X 2-5/8 in. PAN HD.)	3	45	968304-009	BRUSH TUBE ASSEMBLY	2
18	967952-001	TORSION SPRING	1	46	969807-004	MOTOR MODULE ASSEMBLY (INCLUDES ONE OF KEY NO. 42)	1
19	974771-002	LOWER BLADE GUARD	1	47	968303-103	SWITCH	1
20	718602-804	RETAINING RING	1	48	974565-001	COMPRESSION SPRING	1
21	967887-003	INNER FLANGE BUSHING	1	49	974545-002	SWITCH TRIGGER	1
22	972443-002	BLADE	1	50	999506-008	CORD	1
23	998463-001	OUTER BLADE WASHER	1	51	703429-870	NYLON WASHER	1
24	623547-002	SPRING WASHER	1	52	980372-001	CARRYING CASE – NOT SHOWN	1
25	612999-001	BLADE SCREW (3/8-16 X 3/4 in. WASHER HD.)	1		972000-831R 8-01	OWNER'S MANUAL	
26	090404-080	SCREW (M4 X 8 PAN HD.)	1				
27	976906-002	BLADE GUARD HANDLE	1				
28	615954-003	SCREW (#8-18 X 3/8 in. PAN HD. T. F.) ...	2				

RYOBI CIRCULAR SAW – MODEL NUMBER CSB1308

WIRING DIAGRAM