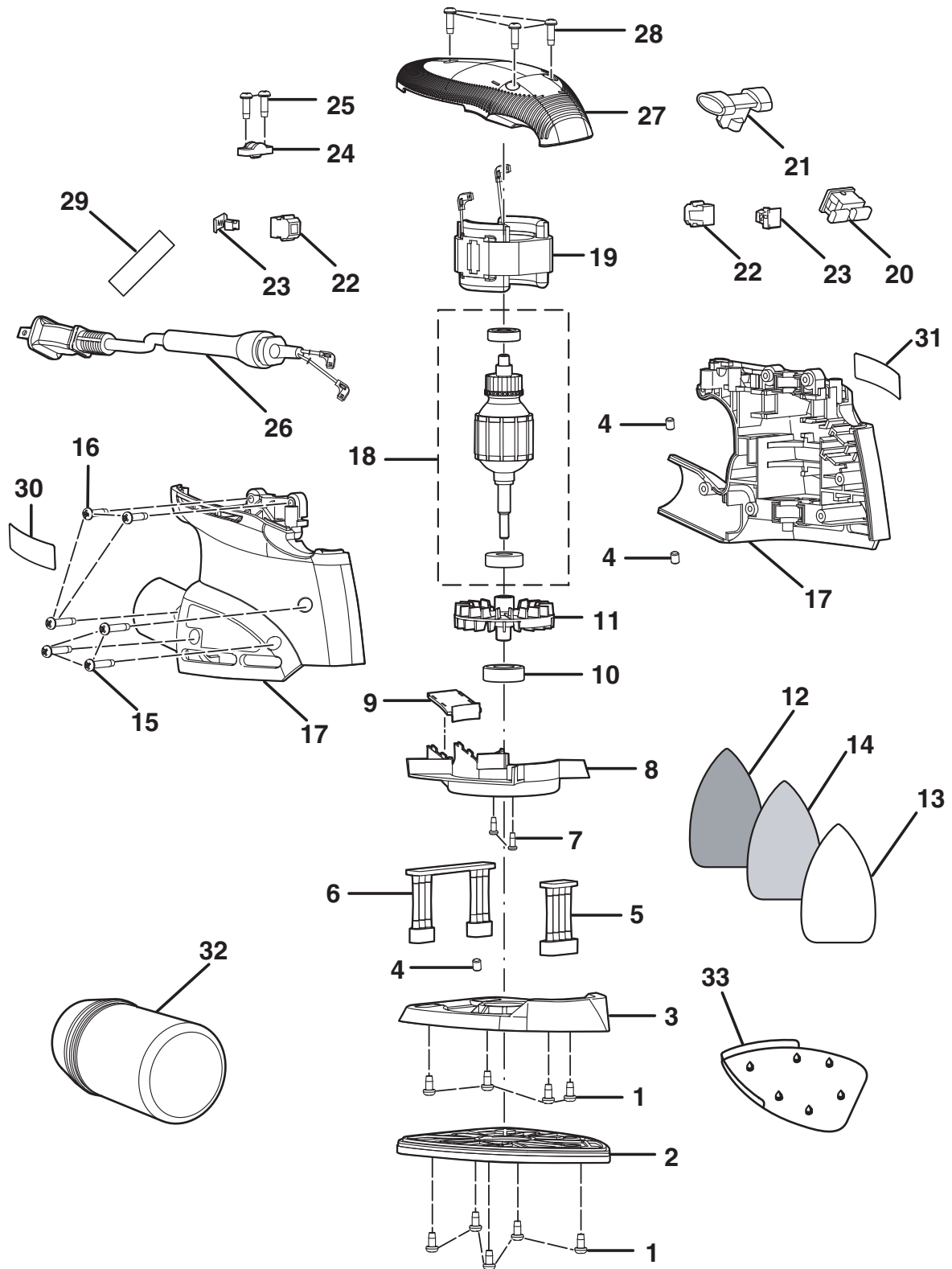


**RYOBI  
CORNER CAT SANDER  
MODEL NO. CFS1502  
REPAIR SHEET**

RYOBI CORNER CAT SANDER – MODEL NUMBER CFS1502



**NOTE:** To avoid the possibility of alteration or damage to this product, service should be performed by your nearest Ryobi Authorized Service Center. For the service center nearest you call 1-800-525-2579.

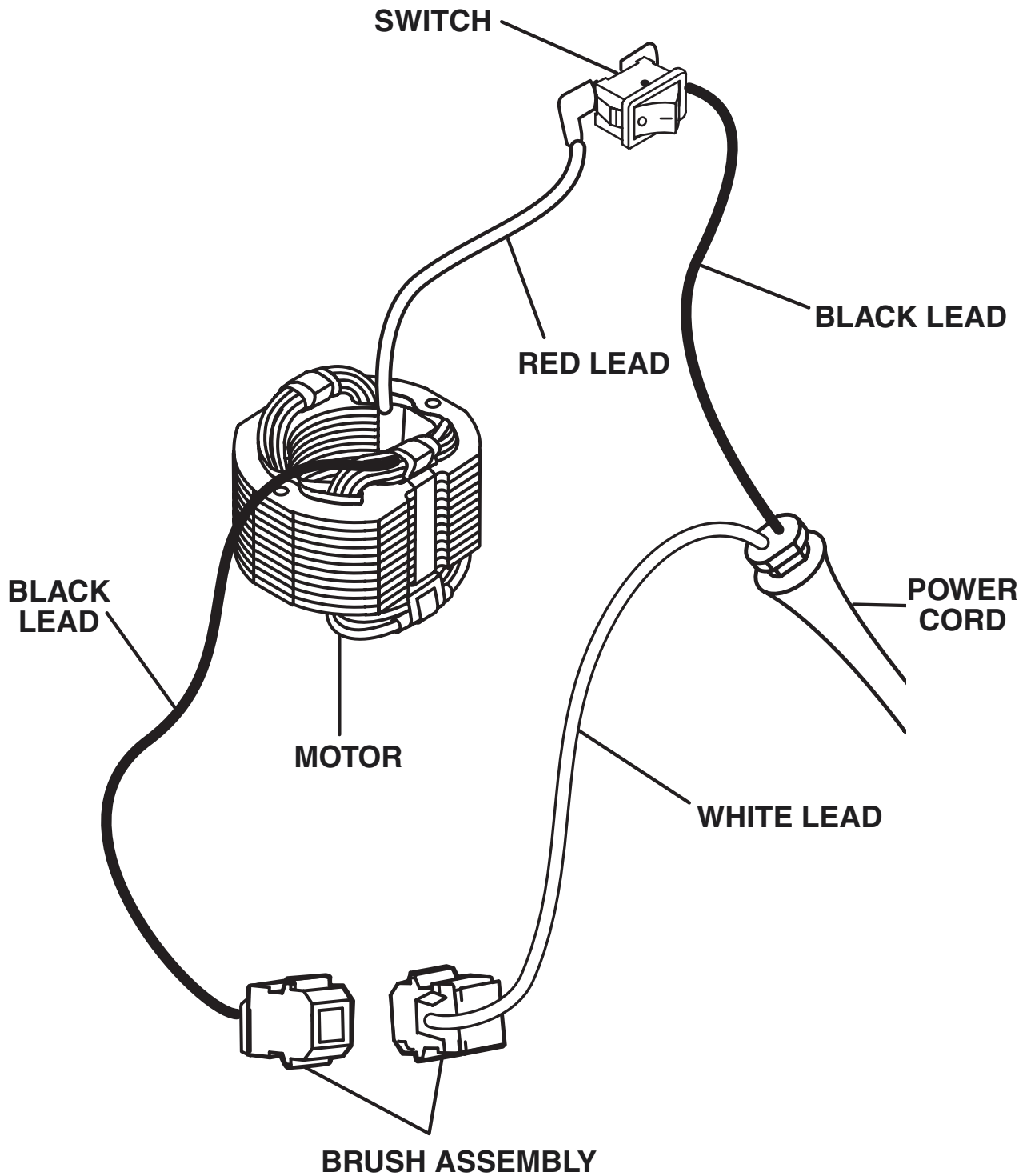
## RYOBI CORNER CAT SANDER – MODEL NUMBER CFS1502

The model number will be found on a plate attached to the motor housing. Always mention the model number in all correspondence regarding your **CORNER CAT SANDER** or when ordering repair parts.

### PARTS LIST

Key No.	Part Number	Description	Qty.
1	CFS1501-01	SCREW (M4.2 X 8 mm PAN HD.) .....	9
2	CFS1501-02	PLATEN ASSEMBLY .....	1
3	CFS1501-03	PLATEN SUPPORT .....	1
4	CFS1501-04	RUBBER PIN.....	3
5	CFS1501-05	CUSHION SUPPORT (FRONT).....	1
6	CFS1501-06	CUSHION SUPPORT (REAR) .....	1
7	CFS1501-07	SCREW (M3 X 8 mm PAN HD.) .....	2
8	CFS1501-08	FAN BAFFLE .....	1
9	CFS1501-09	DUST PORT COVER .....	1
10	CFS1501-10	BALL BEARING (628Z).....	1
11	CFS1501-11	FAN .....	1
12	CFS1501-36	HEAVY SCRUB PAD .....	1
13	CFS1501-37	LIGHT SCRUB PAD .....	1
14	CFS1501-38	POLISHING SCRUB PAD .....	1
15	CFS1501-16	SCREW (M4.2 X 20 mm PAN HD.) .....	3
16	CFS1501-17	SCREW (M4.2 X 16 mm PAN HD.) .....	3
17	CFS1501-18	HOUSING ASSEMBLY .....	1
18	CFS1501-12	ARMATURE ASSEMBLY .....	1
19	CFS1501-21	FIELD ASSEMBLY .....	1
20	CFS1501-22	SWITCH.....	1
21	CFS1501-23	SWITCH TRIGGER .....	1
22	CFS1501-24	BRUSH HOLDER .....	2
23	CFS1501-25	BRUSH ASSEMBLY .....	2
24	CFS1501-26	CORD CLAMP .....	1
25	CFS1501-27	SCREW (M4.2 X 12 mm PAN HD.) .....	2
26	CFS1501-28	POWER CORD ASSEMBLY .....	1
27	039110006002	TOP COVER W/OVERMOLD .....	1
28	CFS1501-30	SCREW (M4.2 X 14 mm PAN HD.) .....	3
29	039110006005	CORD LABEL.....	1
30	039110006004	LOGO LABEL.....	1
31	039110006003	DATA LABEL.....	1
32	CFS1501-31	DUST BAG .....	1
33	CFS1501-32	PUNCHER.....	1
34	CFS1501-33	60 GRIT SANDPAPER (NOT SHOWN).....	1
35	CFS1501-34	120 GRIT SANDPAPER (NOT SHOWN).....	1
36	CFS1501-35	240 GRIT SANDPAPER (NOT SHOWN).....	1
37	039110006015	CARRYING CASE (NOT SHOWN) .....	1
	983000663	OPERATOR'S MANUAL (039110006006)	
	983000663R	REPAIR SHEET (REV:00)	
	02-21-05		

\* Standard Hardware Item – May Be Purchased Locally



**WIRING DIAGRAM**