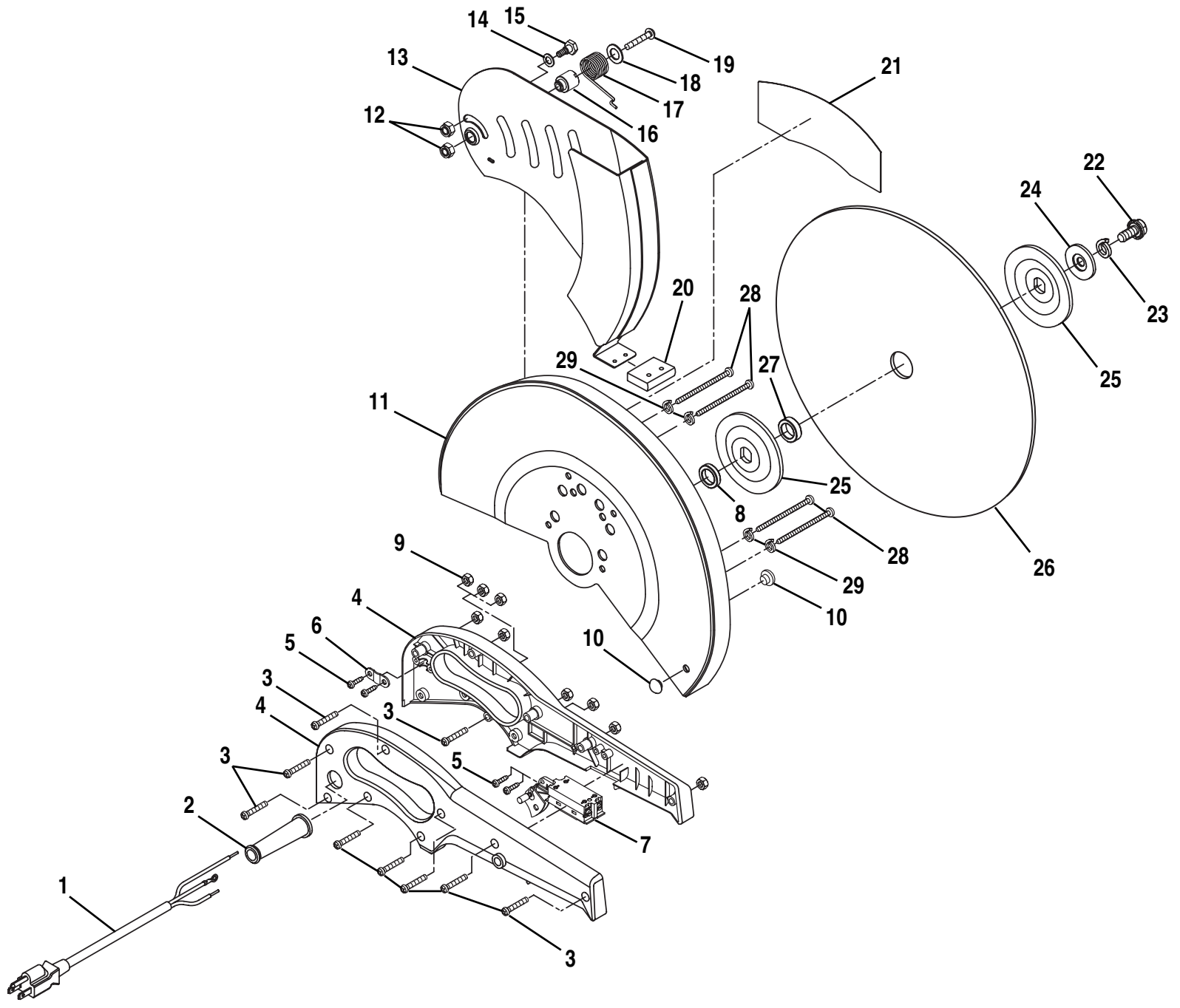


RYOBI
CUT-OFF MACHINE
MODEL NO. C357
REPAIR SHEET

RYOBI 14 in. (356 mm) CUT-OFF MACHINE – MODEL NO. C357

FIGURE A



RYOBI 14 in. (356 mm) CUT-OFF MACHINE – MODEL NO. C357

The model number will be found on a plate attached to the motor housing. Always mention the model number in all correspondence regarding your **Cut-Off Machine** or when ordering repair parts.

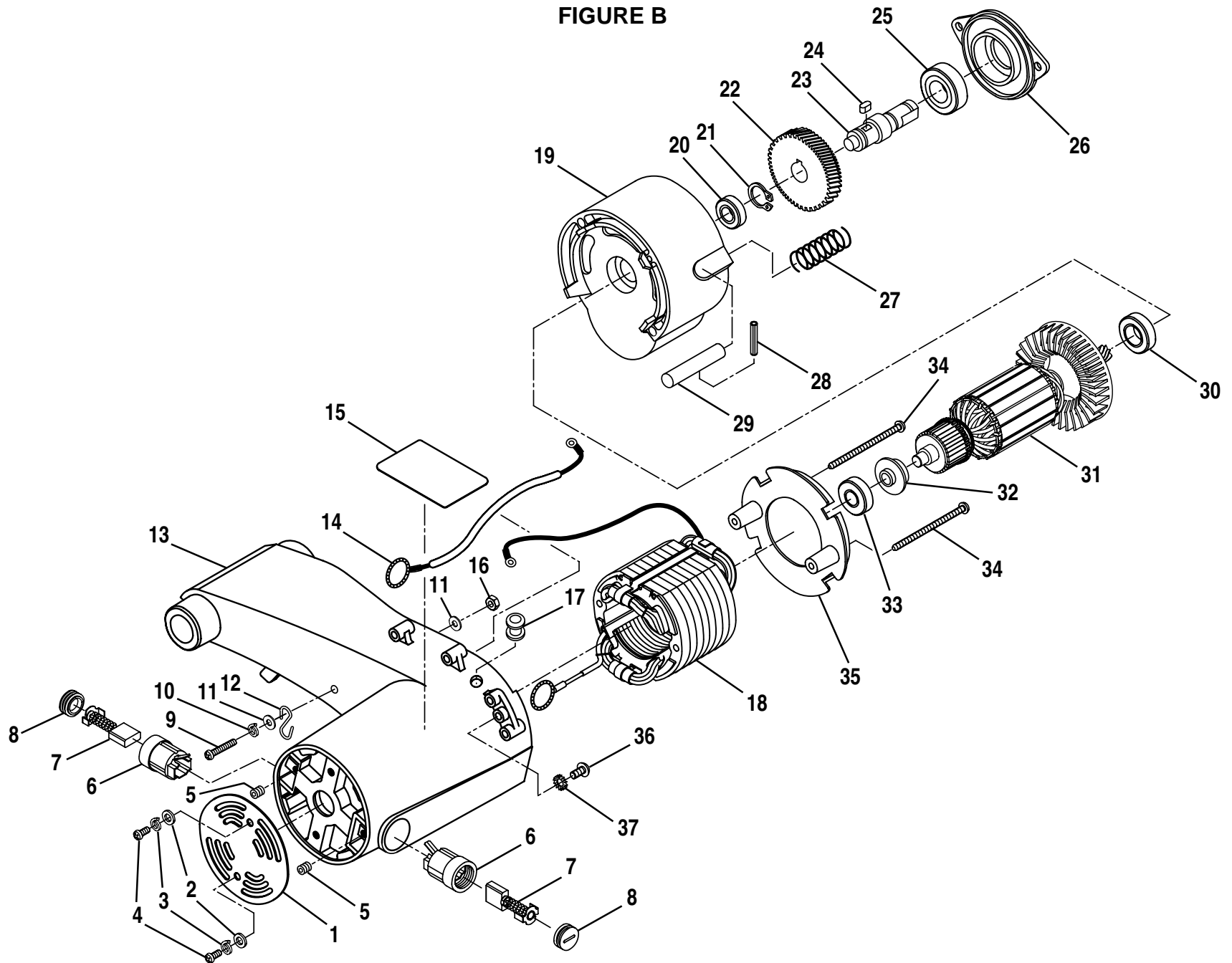
PARTS LIST FOR FIGURE A

Key No.	Part Number	Description	Quan.	Key No.	Part Number	Description	Quan.
1	C357085-BB	Power Cord (14 AWG)	1	16	C357020-BB	Spring Pin	1
2	C357084-BB	Bend Relief	1	17	C357017-BB	Spring	1
3	C357074-BB	* Screw (M5 X 25)	9	18	C357018-BB	* Washer (M1)	1
4	C357125-BB	Handle Assembly	1	19	C357019-BB	* Screw (M6 X 30)	1
5	C357070-BB	* Screw (ST4.2 X 10)	4	20	C357021-BB	Plastic Cover	1
6	C357071-BB	Cord Clamp	1	21	C357008-BB	Logo Plate	1
7	C357083-BB	Switch	1	22	C357012-BB	Wheel Bolt (M10 X 20)	1
8	C357005-BB	Inner Washer	1	23	C357042-BB	Spring Washer	1
9	C357077-BB	* Nut (M5)	9	24	C357011-BB	Outer Washer	1
10	C357007-BB	Shock Absorber	2	25	C357010-BB	Flange Washer	2
11	C357001-BB	Upper Blade Guard	1	26	C357009-BB	Wheel	1
12	C357013-BB	Lock Nut	2	27	C357006-BB	Spacer	1
13	C357014-BB	Lower Blade Guard	1	28	C357004-BB	* Screw (M6 X 78)	4
14	C357015-BB	* Washer (M3)	1	29	C357003-BB	* Spring Washer (M6)	4
15	C357016-BB	* Screw (M6 X16)	1				

* STANDARD HARDWARE ITEM — MAY BE PURCHASED LOCALLY

RYOBI 14 in. (356 mm) CUT-OFF MACHINE – MODEL NO. C357

FIGURE B



RYOBI 14 in. (356 mm) CUT-OFF MACHINE – MODEL NO. C357

The model number will be found on a plate attached to the motor housing. Always mention the model number in all correspondence regarding your **Cut-Off Machine** or when ordering repair parts.

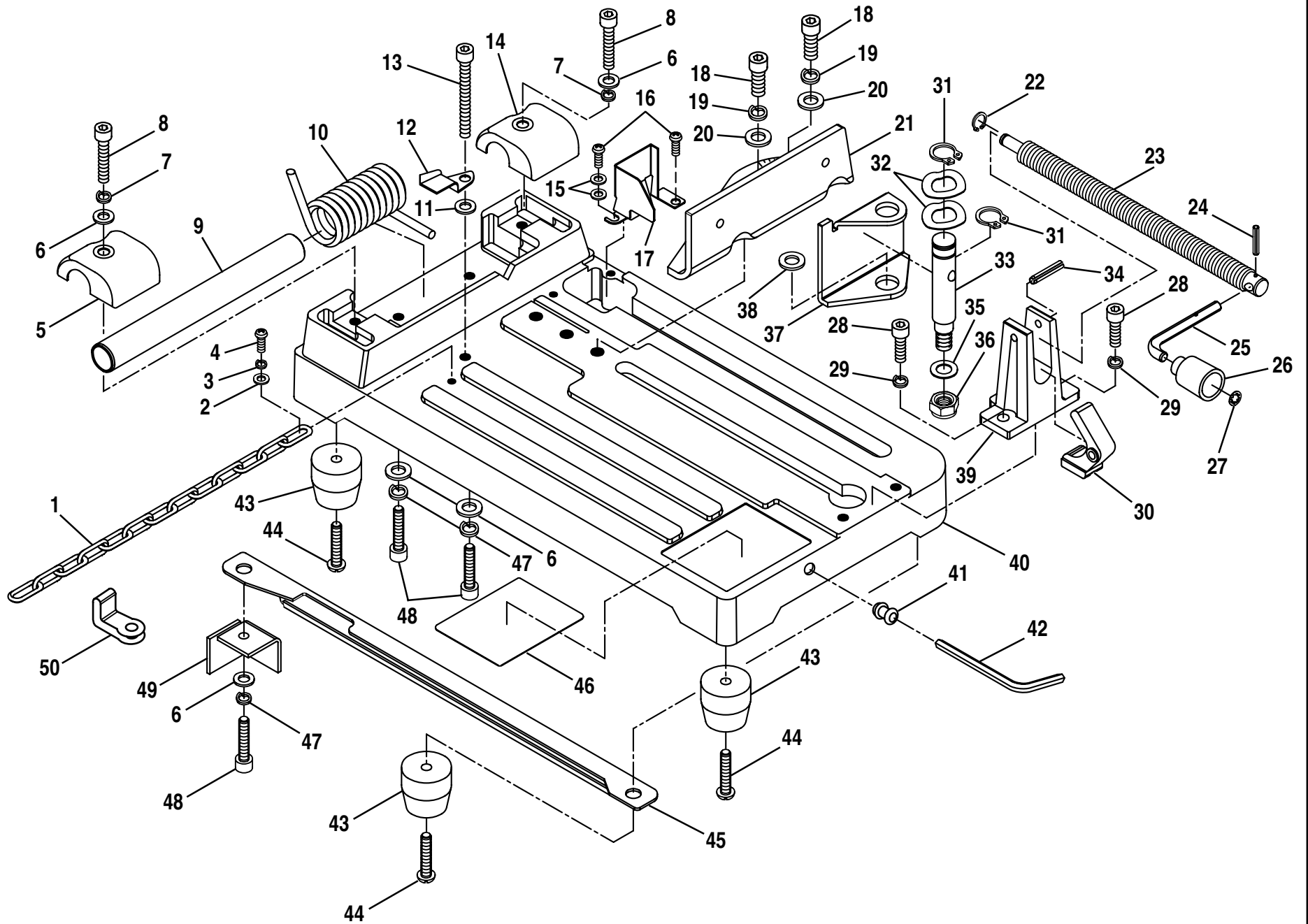
PARTS LIST FOR FIGURE B

Key No.	Part Number	Description	Quan.	Key No.	Part Number	Description	Quan.
1	C357026-BB	End Cap	1	20	C357045-BB	Ball Bearing (6000).....	1
2	C357029-BB	* Flat Washer (M5)	2	21	C357053-BB	Retaining Ring	1
3	C357028-BB	* Spring Washer (M5)	2	22	C357046-BB	Gear	1
4	C357027-BB	* Screw (M5 X 8).....	2	23	C357048-BB	Gear Shaft	1
5	C357061-BB	* Screw (M5 X 12).....	2	24	C357047-BB	Flat Pin (M5 X 10)	1
6	C357025-BB	Brush Holder	2	25	C357049-BB	Ball Bearing (6203).....	1
7	C357024-BB	Brush Assembly	2	26	C357054-BB	Gear Cover	1
8	C357023-BB	Brush Cap	2	27	C357050-BB	Spring	1
9	C357115-BB	* Screw (M5 X 20).....	1	28	C357052-BB	Roll Pin	1
10	C357116-BB	* Spring Washer (M5)	1	29	C357051-BB	Top Pin	1
11	C357117-BB	* Flat Washer (M5)	2	30	C357043-BB	Ball Bearing (6002).....	1
12	C357119-BB	Chain Hook.....	1	31	C357041-BB	Armature Assembly	1
13	C357022-BB	Motor Housing	1	32	C357040-BB	Insulation Plate	1
14	C357030-BB	Lead Wire	1	33	C357039-BB	Ball Bearing	1
15	C357035-BB	Data Plate.....	1	34	C357038-BB	* Screw (M5 X 75).....	2
16	C357118-BB	* Lock Nut (M5).....	1	35	C357037-BB	Fan Baffle	1
17	C357057-BB	Grommet	1	36	C357034-BB	* Screw (M5 X 10).....	1
18	C357036-BB	Field Assembly	1	37	C357031-BB	* Lock Washer w/Teeth (M5).....	1
19	C357044-BB	Gear Case	1		972000-882	Owner's Manual (REV:00)	
					02-24-05		

* STANDARD HARDWARE ITEM — MAY BE PURCHASED LOCALLY

RYOBI 14 in. (356 mm) CUT-OFF MACHINE – MODEL NO. C357

FIGURE C



RYOBI 14 in. (356 mm) CUT-OFF MACHINE – MODEL NO. C357

The model number will be found on a plate attached to the motor housing. Always mention the model number in all correspondence regarding your **Cut-Off Machine** or when ordering repair parts.

PARTS LIST FOR FIGURE C

Key No.	Part Number	Description	Quan.	Key No.	Part Number	Description	Quan.
1	C357103-BB	Chain	1	26	C357081-BB	Handle Cover	1
2	C357110-BB	* Flat Washer (M6)	1	27	C357092-BB	* Lock Washer (M6)	1
3	C357111-BB	* Spring Washer (M6)	1	28	C357098-BB	* Hex Socket Screw (M8 X 20)	2
4	C357112-BB	* Screw (M6 X 30)	1	29	C357097-BB	* Spring Washer (M8)	2
5	C357058-BB	Left Cover	1	30	C357094-BB	Rocker	1
6	C357105-BB	* Flat Washer (M8)	5	31	C357082-BB	* Retaining Ring (M18)	2
7	C357056-BB	* Spring Washer (M8)	2	32	C357088-BB	* Spring Washer (M18)	2
8	C357055-BB	* Socket Hex Head Screw (M8 X 40)	2	33	C357089-BB	Pin	1
9	C357060-BB	Pivot Shaft	1	34	C357099-BB	* Roll Pin (M6 X 30)	1
10	C357062-BB	Spring	1	35	C357090-BB	* Flat Washer (M1)	1
11	C357121-BB	Flat Washer	1	36	C357086-BB	* Hex Lock Nut (M12)	1
12	C357114-BB	Lock Wrench	1	37	C357095-BB	Bracket	1
13	C357113-BB	* Hex Socket Screw (M8 X 70)	1	38	C357087-BB	Flat Washer	1
14	C357063-BB	Right Cover	1	39	C357096-BB	Plunger Housing	1
15	C357122-BB	Flat Washer	2	40	C357109-BB	Base	1
16	C357065-BB	* Screw (M6 X 18)	2	41	C357120-BB	Grommet	1
17	C357064-BB	Rear Lower Guard	1	42	C357091-BB	Hex Key	1
18	C357069-BB	* Hex Socket Screw (M10 X 25)	2	43	C357100-BB	Rubber Foot	3
19	C357068-BB	* Spring Washer (M10)	2	44	C357101-BB	* Screw (M8 X 36)	3
20	C357067-BB	* Washer (M10)	2	45	C357102-BB	Safety Guard	1
21	C357066-BB	Fence	1	46	C357093-BB	Warning Label	1
22	C357072-BB	* Retaining Ring (M9)	1	47	C357108-BB	Spring Washer	3
23	C357073-BB	Threaded Rod (M18 X 344)	1	48	C357106-BB	* Hex Socket Screw (M8 x 25)	3
24	C357079-BB	* Roll Pin (M3 X 16)	1	49	C357104-BB	Foot	1
25	C357080-BB	Handle	1	50	C357123-BB	Chain Bracket	1

* STANDARD HARDWARE ITEM — MAY BE PURCHASED LOCALLY