

**RYOBI**

**10 in. (254 mm)**

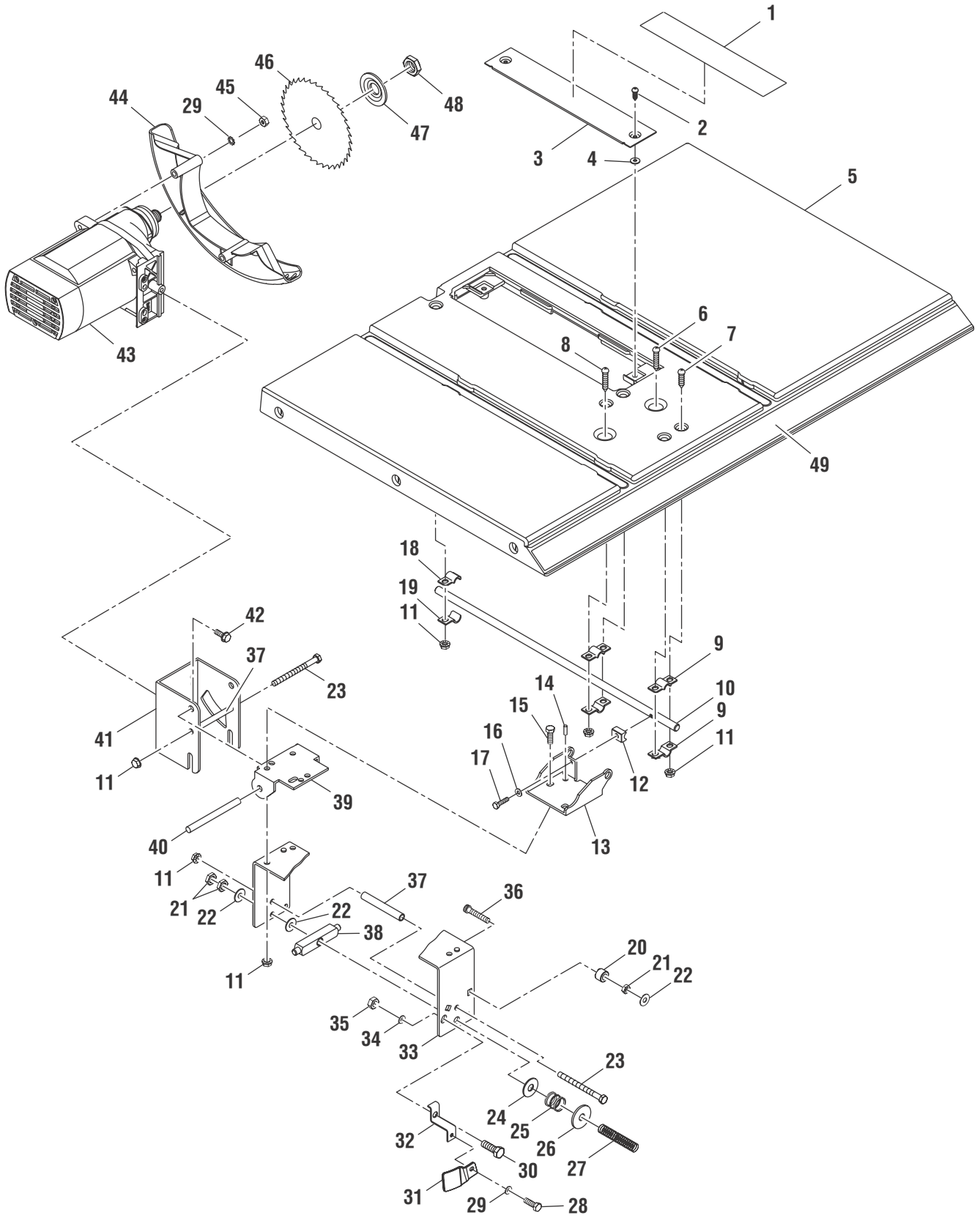
**TABLE SAW**

**MODEL NO. BTS11**

**REPAIR SHEET**

RYOBI 10 in. TABLE SAW – MODEL NUMBER BTS11

FIGURE A



**NOTE:** The assembly shown represents an important part of the double insulated system. To avoid the possibility of alteration or damage to the system, service should be performed by your nearest Ryobi Authorized Service Center. For the service center nearest you call 1-800-525-2579.

## RYOBI 10 in. TABLE SAW – MODEL NUMBER BTS11

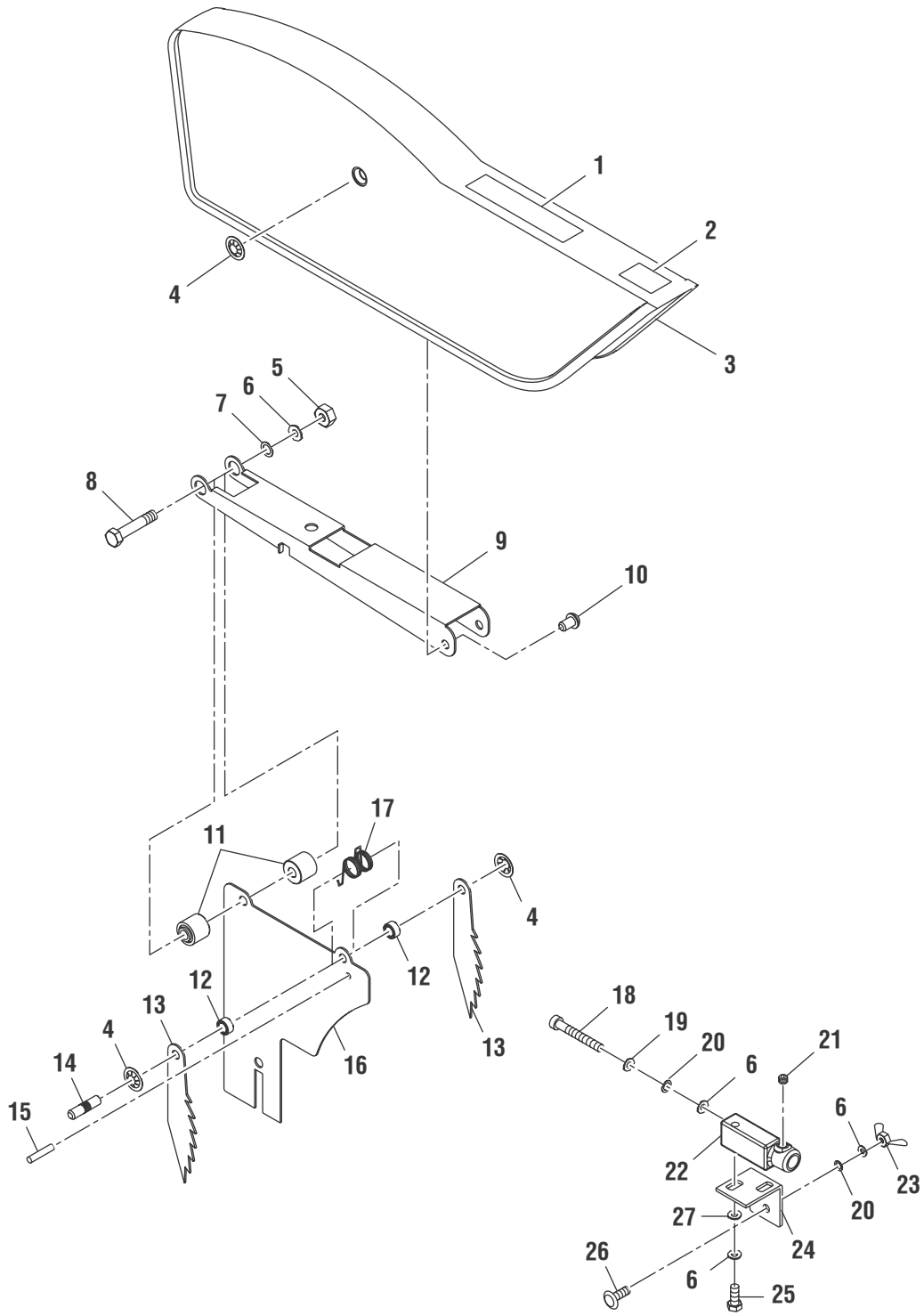
The model number will be found on a plate attached to the motor housing. Always mention the model number in all correspondence regarding your **TABLE SAW** or when ordering repair parts.

### PARTS LIST FOR FIGURE A

Key No.	Part Number	Description	Qty.
1	9101145333301	TABLE INSERT LABEL .....	1
2	410542003	* SCREW (M4 X 10 mm) .....	2
3	0101210303-35	TABLE INSERT .....	1
4	0101141303	RUBBER WASHER (D5.2 X D14 X 3T) .....	2
5	0101210102	TABLE .....	1
6	410138701	* SCREW (1/4-20 X 7/8 in. NYLOCK) .....	1
7	410102702	* SCREW (1/4-20 X 7/8 in.) .....	5
8	410138702	* SCREW (1/4-20 X 29 mm NYLOCK) .....	1
9	0101010303	STRAP (LONG) .....	4
10	0101210901	PIVOT ROD .....	1
11	411062701	* LOCK NUT (1/4-20) .....	10
12	0101010501	BLOCK .....	1
13	0101010304	PIVOT UPPER BRACKET .....	1
14	414011001	SPRING PIN (D4 X 13 mm) .....	1
15	410162701	* SCREW (1/4-20 X 3/4 in. CHEESE HD.) .....	3
16	412041001	LOCK WASHER (5 mm) .....	1
17	410017001	* HEX SCREW (M5 X 20 mm) .....	1
18	0101060310	STRAP (SHORT) .....	1
19	0101060309	STRAP .....	1
20	0101010903	SPACER (D9 X D14.5 X 10.5 mm) .....	1
21	411012701	* HEX NUT (1/4-20) .....	3
22	412012701	* WASHER (D1/4 in. X D16 X 1T) .....	4
23	410012702	* SCREW (1/4- 20 X 3-1/4 in. HEX HD.) .....	2
24	412012702	* WASHER (D3/8 in. X D1 X 1.5T) .....	1
25	0101010906	SPRING (D19 X 18 X 1.6 mm) .....	1
26	412012708	* WASHER (D1/2 in. X D1-1/4 in. X 2.5T) .....	1
27	0101010907	SPRING (D11.8 X D0.9 X 60 mm) .....	1
28	410282702	* HEX SCREW (3/16-24 X 3/8 in.) .....	1
29	412042001	* LOCK WASHER (D5) .....	1
30	410012703	* HEX SCREW (5/16-18 X 5/8 in.) .....	1
31	0101210209	INDICATOR .....	1
32	0101140304	INDICATOR SEAT (RYOBI) .....	1
33	0101210302	DRIVING BRACKET .....	1
34	412042701	* LOCK WASHER (5/16 in.) .....	1
35	411012702	* HEX NUT (5/16-18) .....	1
36	410032708	* CARRIAGE SCREW (1/4-20 X 1-1/4 in.) .....	1
37	0101010905	SPACER (D9.5 X 68 mm) .....	2
38	0101210902	DRIVING BLOCK .....	1
39	0101010305	MIDDLE BRACKET .....	1
40	414011002	SPRING PIN (D8 X 90 mm) .....	1
41	0101010308	MOTOR BRACKET .....	1
42	410162003	* SCREW (M6 X 18 mm CHEESE HD.) .....	3
43	A101210101	MOTOR ASSEMBLY .....	1
44	0101210210	LOWER BLADE GUARD .....	1
45	411062002	* HEX LOCK NUT (M5) .....	2
46	422010025	BLADE (10 in. X 5/8 in. X 24T) .....	1
47	0101010302	FLANGE .....	1
48	0101010920	ARBOR NUT (5/8-18) .....	1
49	9101215330301	SCALE .....	1

\* Standard Hardware Item – May Be Purchased Locally

FIGURE B



## RYOBI 10 in. TABLE SAW – MODEL NUMBER BTS11

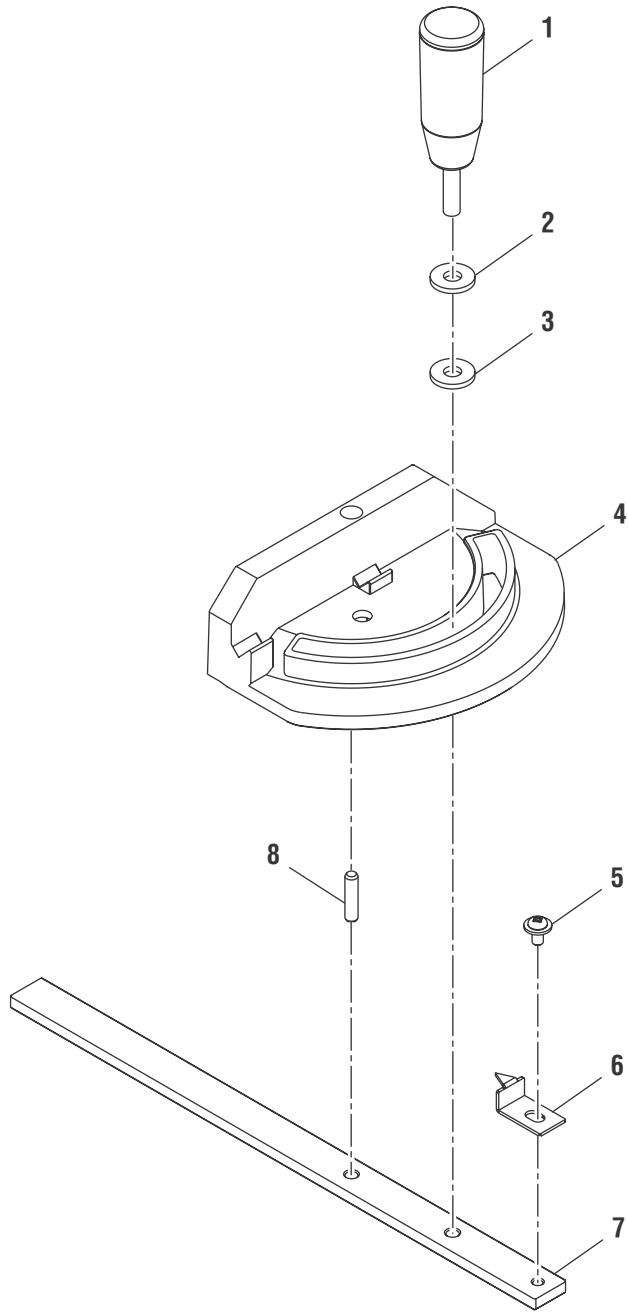
The model number will be found on a plate attached to the motor housing. Always mention the model number in all correspondence regarding your **TABLE SAW** or when ordering repair parts.

### PARTS LIST FOR FIGURE B

Key No.	Part Number	Description	Qty.
	A101211001	UPPER BLADE GUARD AND RIVING ASSEMBLY (INCLUDES KEY NOS. 1-17)	
	A101211601	RIVING ASSEMBLY (INCLUDES KEY NOS. 12-16)	
1	91012153330201	LABEL .....	1
2	9101145330202	LABEL .....	1
3	0101210206	UPPER BLADE BUARD.....	1
4	0101010911	* QUICK NUT (6 X D16 X 0.5T) .....	4
5	411012701	* HEX NUT (1/4-20).....	1
6	412042702	* LOCK WASHER (1/4 in.).....	5
7	412012701	* WASHER (1/4 in. X D16 X 1T) .....	1
8	0101010804	* HEX BOLT (1/4 in. X 38.5 mm) .....	1
9	0101010316	BRACKET .....	1
10	0152011816	RIVET (D6 X L9.5).....	2
11	0101210201	SPACER .....	2
12	0101210202	SPACER (D6.4 X D10 X 5.5).....	2
13	0101140301	ANTI-KICK BACK.....	2
14	0101010912	PIN (6 X 25 mm) .....	1
15	414011003	SPRING PIN (D4 X 20 mm) .....	1
16	0101140207	RIVING KNIFE .....	1
17	0101010914	TORSION SPRING .....	1
18	410151709	* HEX SOCKET SCREW (1/4-20 X 57 mm) .....	1
19	412032701	* LOCK WASHER (1/4 in.).....	1
20	412012030	* WASHER (D6.5 X D16 X 1.5T).....	2
21	410071017	* SET SCREW (M6 X 6 mm).....	1
22	0101210101	MOUNTING BLOCK.....	1
23	411172002	* WING NUT (M6).....	1
24	0101140302	MOUNTING BRACKET.....	1
25	410012701	* HEX SCREW (1/4-20 X 1/2 in.).....	2
26	410032004	* CARRIAGE BOLT (M6 X 18 mm).....	1
27	412012721	* FLAT WASHER (1/4 in. X D13 X 1T) .....	2
28	A101011504	HARDWARE PACK 10114 (NOT SHOWN - INCLUDES KEY NOS. 21, 22, & 24).....	1

\* Standard Hardware Item – May Be Purchased Locally

FIGURE C



**RYOBI 10 in. TABLE SAW – MODEL NUMBER BTS11**

The model number will be found on a plate attached to the motor housing. Always mention the model number in all correspondence regarding your **TABLE SAW** or when ordering repair parts.

**PARTS LIST FOR FIGURE C**

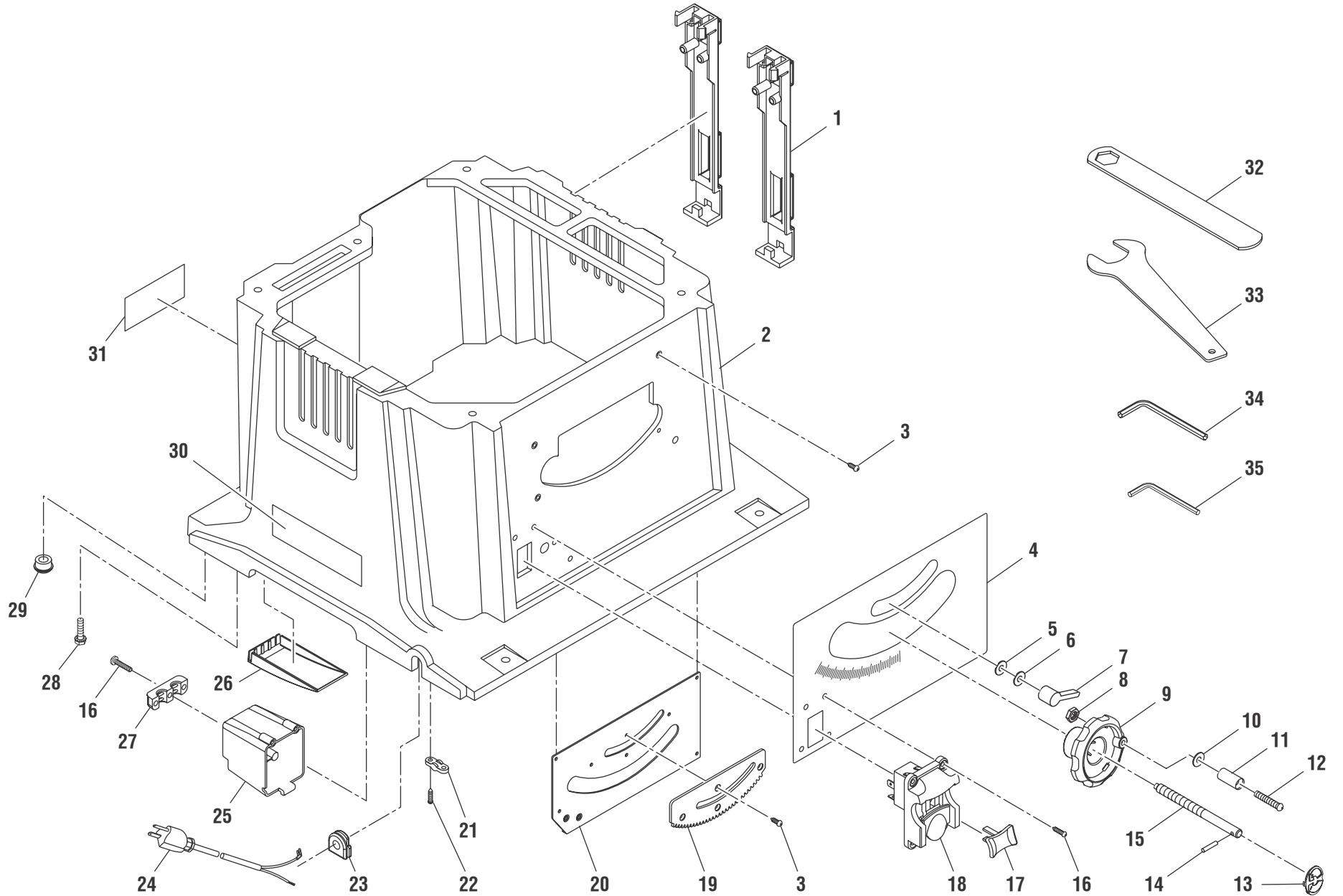
<b>Key No.</b>	<b>Part Number</b>	<b>Description</b>	<b>Qty.</b>
	A101210801	MITER GAUGE ASSEMBLY	
1	A131015202	KNOB .....	1
2	412012701	* WASHER (D1/4 X D16 X 1T).....	1
3	412080001	* NYLON WASHER (D6.5 X D16 X 2T).....	1
4	0101140212-112	MITER GAGE.....	1
5	410332701	* SCREW (3/16 in. X 24 UNC X 1/4 in.) .....	1
6	0101140307	MITER INDICATOR.....	1
7	0101211801	MITER BAR .....	1
8	0101140902	PIN (D4.7 X 20 mm).....	1
	983000-491	OPERATOR'S MANUAL	
	983000-491R	REPAIR SHEET	
	6-4-04		

\* Standard Hardware Item – May Be Purchased Locally

RYOBI TABLE SAW - MODEL NUMBER BTS11

FIGURE D

8





## RYOBI TABLE SAW – MODEL NUMBER BTS11

The model number will be found on a plate attached to the motor housing. Always mention the model number in all correspondence regarding your **TABLE SAW** or when ordering repair parts.

### PARTS LIST FOR FIGURE D

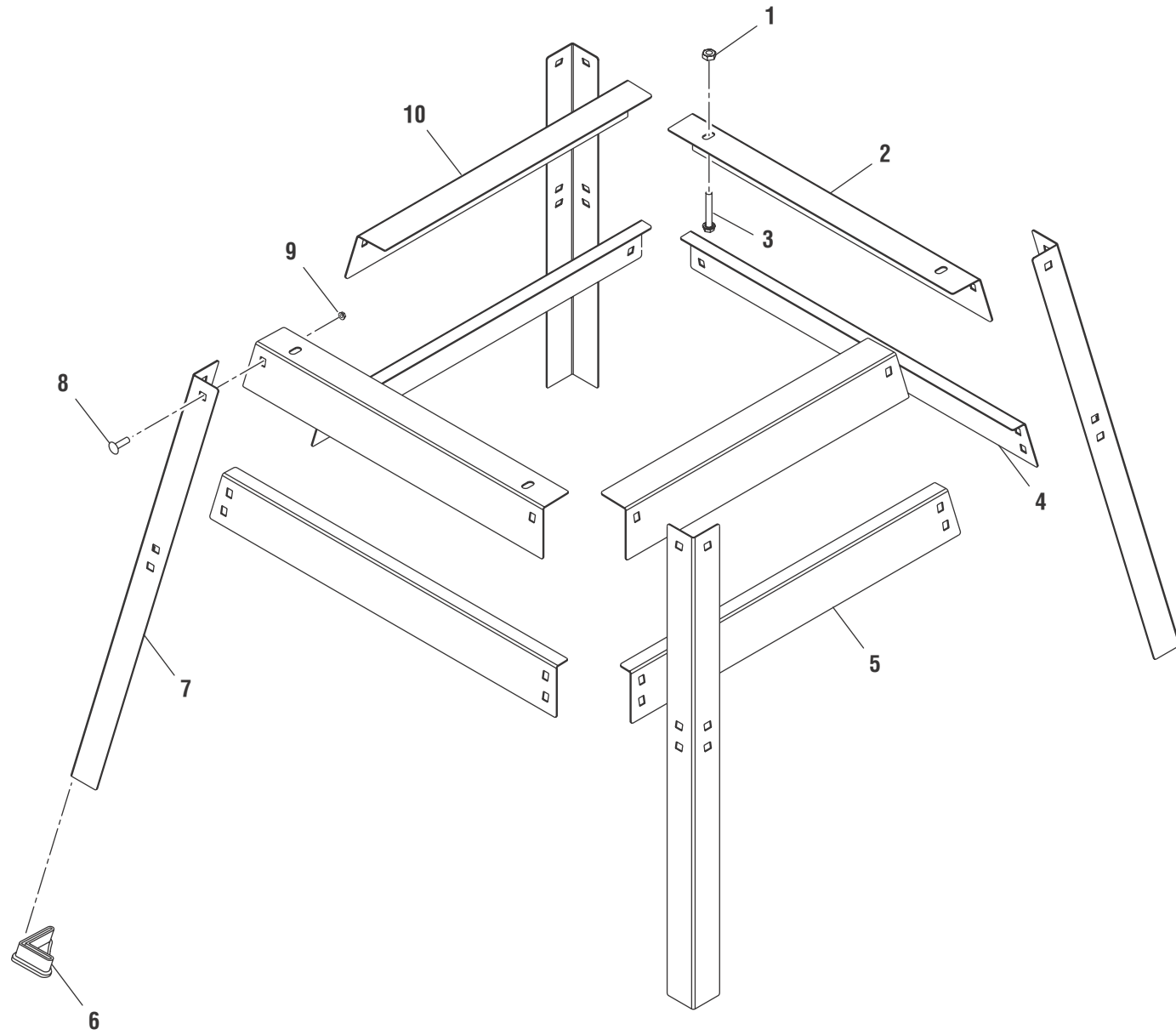
Key No.	Part Number	Description	Qty.	Key No.	Part Number	Description	Qty.
1	0152010213	TOOLS SEAT STORAGE BRACKET .....	2	19	0101210203	GEAR PLATE .....	1
2	0101210207-42	CABINET .....	1	20	0101210301	REINFORCE PLATE .....	1
3	410182001	* SCREW (M4 X 7 mm) .....	8	21	0101040203	CORD CLAMP .....	1
4	9101215330101	LOGO PLATE .....	1	22	410192002	* TAP SCREW (M4 X 16 mm) .....	2
5	412080001	* LOCK WASHER (D6.5 X D16 X 2T) .....	1	23	0101140215	CORD GUARD .....	1
6	412012701	* WASHER (D1/4 in. X D16 X 1T) .....	4	24	0101210701	POWER CORD (AWG16-SJT75) .....	1
7	0101010219	LOCK LEVER (1/4 in.) .....	1	25	0131010209	SWITCH BOX .....	1
8	411072702	* NYLOCK NUT (1/4-20) .....	1	26	0101210208	BAFFLE PLATE .....	1
9	0101210205	HAND WHEEL .....	1	27	0131010210	CORD CLAMP .....	1
10	412011712	* WASHER (D1/4 in. X D13 X 1.5T) .....	1	28	410162004	* LOCK SCREW (M6 X 25 mm).....	4
11	0152010204	WHEEL HANDLE .....	1	29	0101140214	RUBBER FOOT .....	4
12	0101140203	WHEEL HANDLE SCREW .....	1	30	9101215330202	LABEL.....	1
13	0101140206	WHEEL COVER .....	1	31	9101215333101	DATA PLATE .....	1
14	414011003	SPRING PIN (D4 X 20 mm).....	1	32	0101010312	ARBOR WRENCH (15/16 in.).....	1
15	0101210903	SCREW ROD .....	1	33	0101010313	OPEN WRENCH .....	1
16	410191005	* TAP SCREW (M4 X 20 mm) .....	7	34	0201010904	HEX KEY (5 X 57mm).....	1
17	984406003	SWITCH KEY .....	1	35	0101210904	HEX KEY .....	1
18	984406001	SWITCH (RYOBI) .....	1	36	A101140701	FASTENER PACK 10114 TOOL (NOT SHOWN).....	1

**WARNING: Improper repair of a double insulated tool can result in damage to the double insulation system possibly causing electrical shock or electrocution. Any repairs requiring disassembly of your tool requires safety testing and should only be performed by a Ryobi Authorized Service Center. For the service center nearest you call 1-800-525-2579.**

\* Standard Hardware Item – May Be Purchased Locally

RYOBI TABLE SAW - MODEL NUMBER BTS11

FIGURE E



**RYOBI TABLE SAW – MODEL NUMBER BTS11**

The model number will be found on a plate attached to the motor housing. Always mention the model number in all correspondence regarding your **TABLE SAW** or when ordering repair parts.

**PARTS LIST FOR FIGURE E**

Key No.	Part Number	Description	Qty.
	A101211301	STAND ASSEMBLY	
1	411061701	HEX TOOTH NUT (1/4 in.) .....	4
2	0152010313-122	UPPER (SIDE) BRACE.....	2
3	410031715	COACH BOLT (1/4-20 X 1-5/8 in.).....	4
4	0152010311-122	LOWER (SIDE) BRACE.....	2
5	0152010312-122	LOWER BRACE.....	2
6	0152010211	FOOT PAD .....	4
7	0152010310-122	LEG.....	4
8	410031709	COACH BOLT (5/16-18 X 5/8 in.).....	24
9	411061702	HEX TOOTH NUT (5/16 in.) .....	24
10	0152010314-122	UPPER BRACE .....	2
11	A102113201	FASTENER PACK OF STAND (NOT SHOWN - INCLUDES KEY NOS. 1, 3, 8, & 9)	

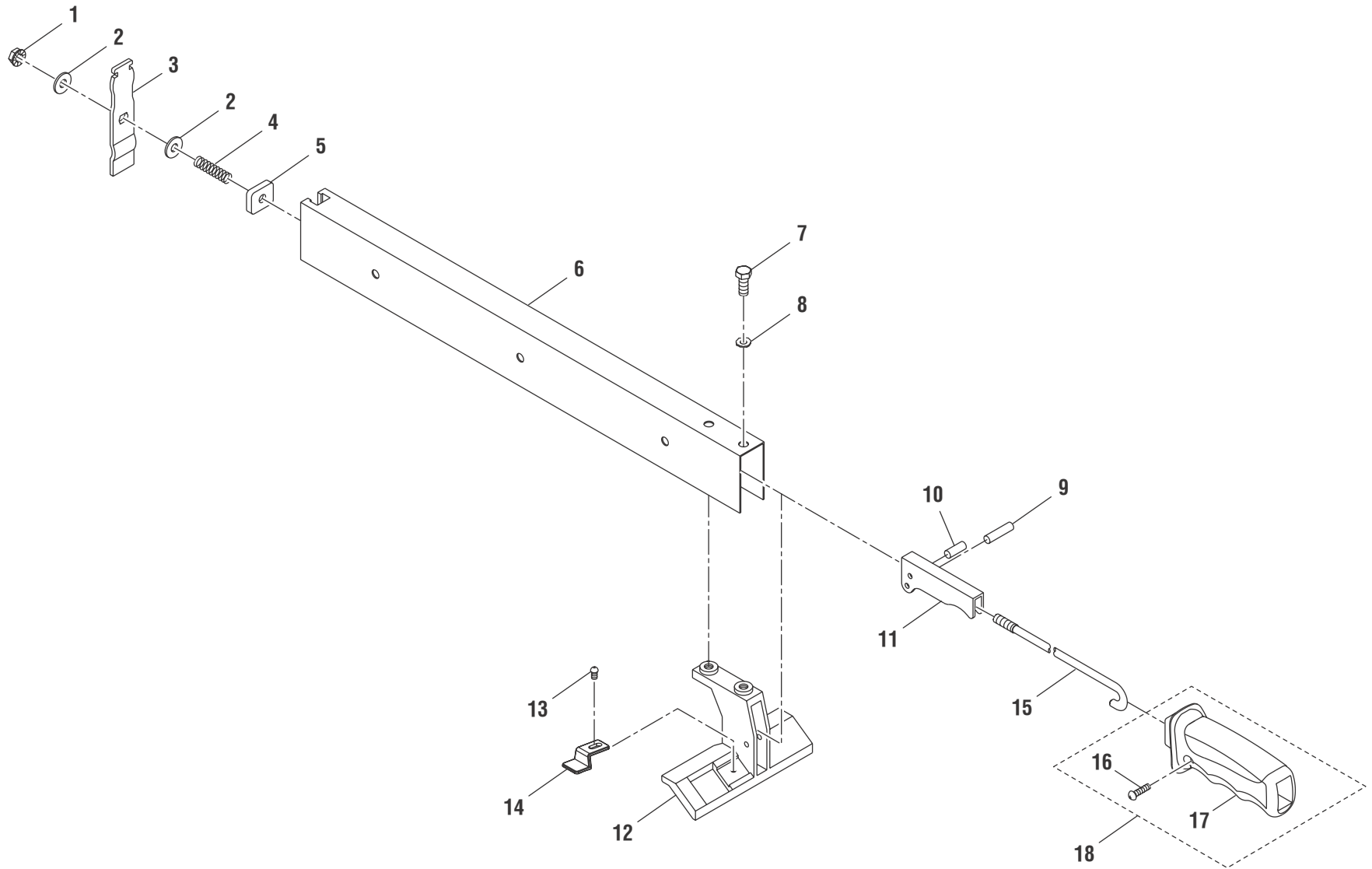
11

**WARNING: Improper repair of a double insulated tool can result in damage to the double insulation system possibly causing electrical shock or electrocution. Any repairs requiring disassembly of your tool requires safety testing and should only be performed by a Ryobi Authorized Service Center. For the service center nearest you call 1-800-525-2579.**

\* Standard Hardware Item – May Be Purchased Locally

RYOBI TABLE SAW - MODEL NUMBER BTS11

FIGURE F



**RYOBI TABLE SAW – MODEL NUMBER BTS11**

The model number will be found on a plate attached to the motor housing. Always mention the model number in all correspondence regarding your **TABLE SAW** or when ordering repair parts.

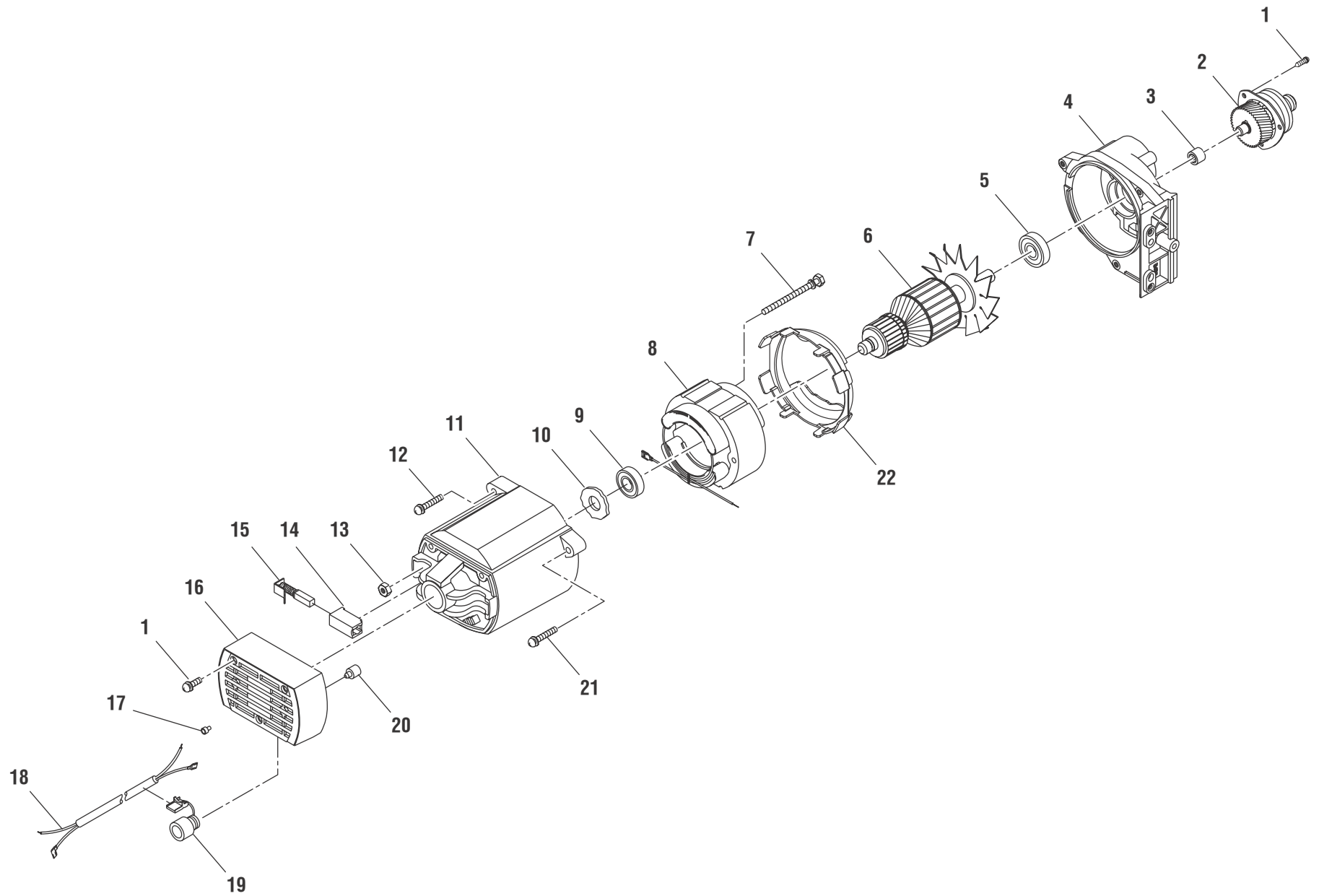
**PARTS LIST FOR FIGURE F**

Key No.	Part Number	Description	Qty.
	A101140901	RIP FENCE ASSEMBLY	
1	411072702	* LOCK NUT (1/4-20).....	1
2	412012714	* WASHER (1/4 X D16 X 1.6T) .....	2
3	0101140309	REAR CLAMP .....	1
4	0101010916	SPRING (NO. 70).....	1
5	0101010211	PLASTIC SLIDER .....	1
6	0101211802	FENCE BODY.....	1
7	410012701	* HEX SCREW (1/4-20 X 1/2 in.).....	2
8	412042702	LOCK WASHER (1/4 in.).....	2
9	414011003	SPRING PIN (D4 X 20 mm) .....	1
10	414011004	SPRING PIN (D4 X 10 mm) .....	1
11	0101060314	HAND BAR .....	1
12	0101060103-122	FRONT BLOCK .....	1
13	410132705	* SCREW (5/32-32 X 1/4 in.).....	1
14	0101140305	FENCE INDICATOR.....	1
15	0101060902	LOCK ROD.....	1
16	410302001	* TAP SCREW (D4 X 15 mm) .....	1
17	0101210204	FENCE LEVER.....	1
18	A101010711	FENCE LEVER ASSEMBLY (INCLUDES KEY NOS. 16 & 17) .....	1

**WARNING: Improper repair of a double insulated tool can result in damage to the double insulation system possibly causing electrical shock or electrocution. Any repairs requiring disassembly of your tool requires safety testing and should only be performed by a Ryobi Authorized Service Center. For the service center nearest you call 1-800-525-2579.**

\* Standard Hardware Item – May Be Purchased Locally

FIGURE G



## RYOBI TABLE SAW – MODEL NUMBER BTS11

The model number will be found on a plate attached to the motor housing. Always mention the model number in all correspondence regarding your **TABLE SAW** or when ordering repair parts.

### PARTS LIST FOR FIGURE G

Key No.	Part Number	Description	Qty.
	A101210101	MOTOR ASSEMBLY	
1	410252001	* SCREW W/WASHER (M4 X 0.7 X 12 mm) .....	6
2	A101010501	JACKSHAFT ASSEMBLY .....	1
3	420110003	NEEDLE BEARING (HK0910) .....	1
4	0101010102	GEAR HOUSING .....	1
5	420010001-A	BALL BEARING (6201 LLU) .....	1
6	A101010301	ARMATURE .....	1
7	410292001	* SCREW W/WASHER (M5 X 60 mm HEX HD.) .....	2
8	A101010403	FIELD.....	1
9	420010002-A	BALL BEARING (6001 LLU) .....	1
10	412061001	WAVE WASHER .....	1
11	0101010207	MOTOR HOUSING ASSEMBLY .....	1
12	0101010807	* SCREW W/WASHER (M5 X 0.8 X 30 mm) .....	1
13	411062002	* HEX NUT (M5) .....	2
14	0101010502	BRUSH HOLDER .....	2
15	0301025006	CARBON BRUSH.....	2
16	0101010208	MOTOR END CAP.....	1
17	451020004	WIRE CONNECTOR.....	1
18	0101140703	MOTOR CORD (16 AWG X 2C X 460 mm).....	1
19	451010001	STRAIN RELIEF.....	1
20	0101010209	PAD.....	2
21	410272004	* SCREW (M5 X 0.8 X 75 mm).....	2
22	0101210212	BAFFLE .....	1
	A101010305	ARMATURE ASSEMBLY (INCLUDES KEY NOS. 5, 6, & 9)	

**WARNING: Improper repair of a double insulated tool can result in damage to the double insulation system possibly causing electrical shock or electrocution. Any repairs requiring disassembly of your tool requires safety testing and should only be performed by a Ryobi Authorized Service Center. For the service center nearest you call 1-800-525-2579.**

\* Standard Hardware Item – May Be Purchased Locally