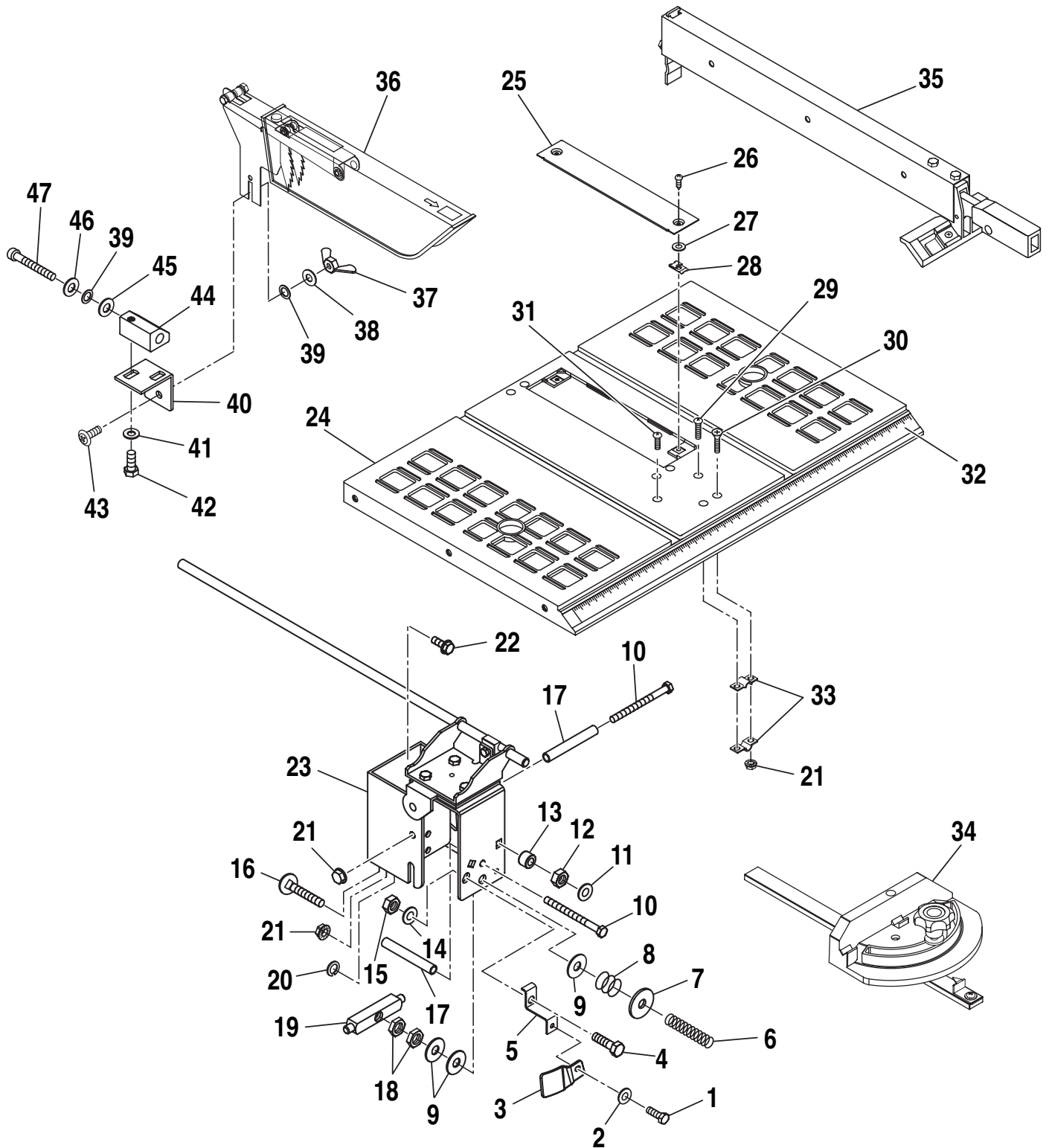


RYOBI TABLE SAW – MODEL NUMBER BTS10

FIGURE A



RYOBI TABLE SAW – MODEL NO. BTS10

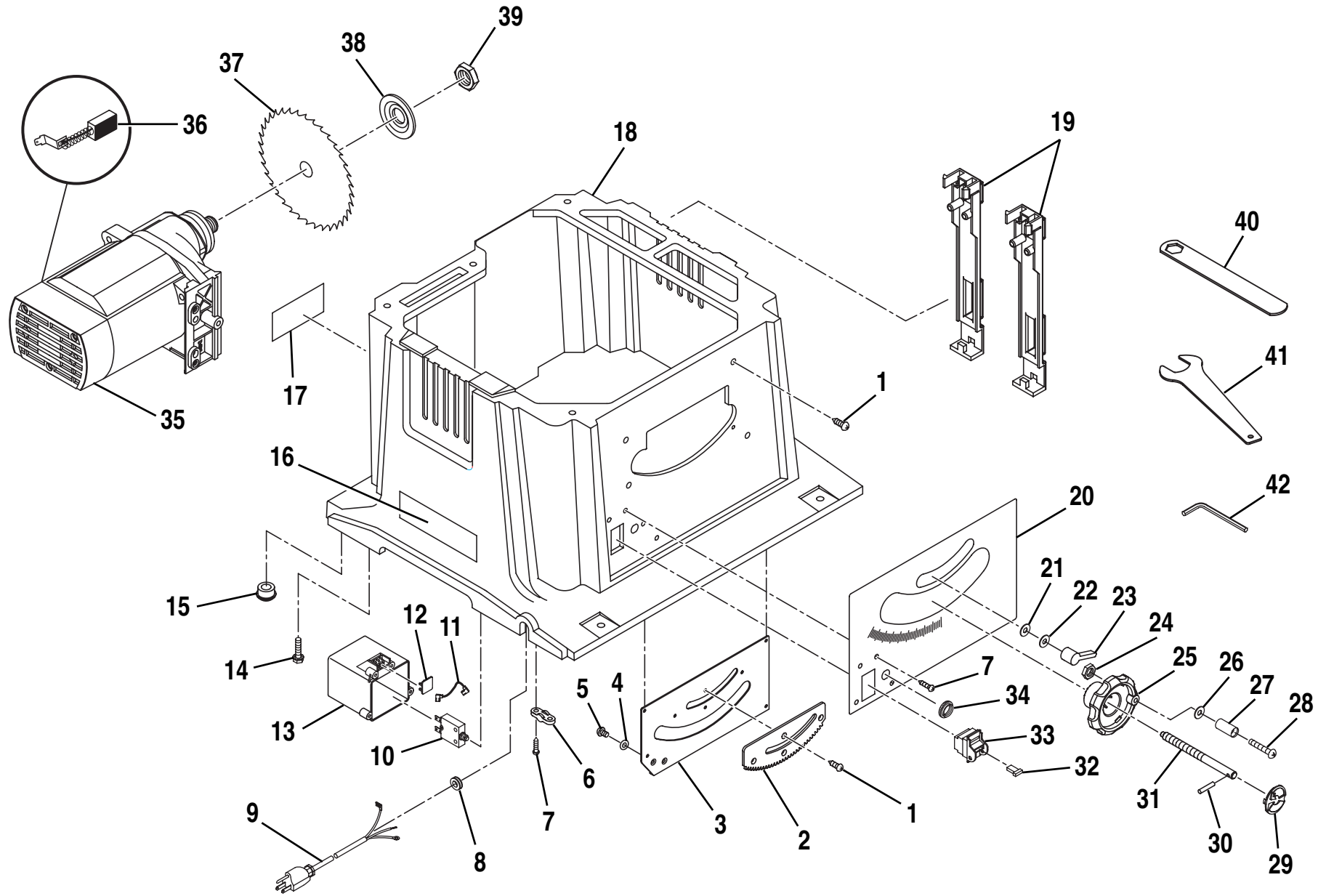
The model number will be found on the data plate attached to the back panel of the cabinet. Always mention the model number in all correspondence regarding your **TABLE SAW** or when ordering repair parts.

PARTS LIST FOR FIGURE A

Key No.	Part No.	Description	Quan.	Key No.	Part No.	Description	Quan.
1	410282702	HEX HEAD SCREW	1	24	0101010101	SAW TABLE	1
2	412042001	EXTERNAL TOOTH LOCK WASHER	1	25	0101010301	THROAT PLATE INSERT	1
3	0101140303	POINTER	1	26	410192001	TAPPING PAN HEAD SCREW	2
4	410012703	HEX HEAD SCREW	1	27	0101141303	RUBBER WASHER	2
5	0101140304	POINTER SEAT	1	28	411182001	J-TYPE TINNERMAN NUT	2
6	0101010907	SPRING	1	29	410138701	PAN HEAD SCREW	1
7	41212708	FLAT WASHER	1	30	410102702	FLAT HEAD SCREW	6
8	0101010906	SPRING	1	31	410138702	PAN HEAD SCREW	1
9	412012702	FLAT WASHER	3	32	9101140000302	SCALE LABEL	1
10	410012702	HEX HEAD SCREW	2	33	0101010303	STRAP	6
11	412012701	FLAT WASHER	2	34	A101140804	MITER GAGE ASSEMBLY	1
12	411012701	HEX NUT	1	35	A101140901	RIP FENCE ASSEMBLY	1
13	101010903	SPACER	1	36	A101141001	BLADE GUARD ASSEMBLY	1
14	412042701	EXTERNAL TOOTH LOCK WASHER	1	37	411172002	WING NUT	1
15	411012702	HEX NUT	1	38	412042702	LOCK WASHER EXTERNAL ...	1
16	410032708	CARRIAGE BOLT	1	39	412012030	FLAT WASHER	1
17	0101010905	SPACER	2	40	0101140302	SPREADER BRACKET	1
18	0101010908	NUT	2	41	412042702	LOCK WASHER EXTERNAL ...	1
19	0101010904	BLOCK	1	42	410012701	HEX HEAD SCREW	8
20	413011011	RETAINING RING	1	43	410032004	CARRIAGE BOLT	1
21	0101010904	CHEESE HEAD NUT	8	44	0101010103	SPREADER SEAT	1
22	410162003	SCREW	1	45	412042702	LOCK WASHER EXTERNAL ...	1
23	A101014302	BRACKET ASSEMBLY	1	46	412032701	LOCK WASHER INTERNAL	1
				47	410012709	SOCKET HEAD SCREW	1

RYOBI TABLE SAW – MODEL NUMBER BTS10

FIGURE B



RYOBI TABLE SAW – MODEL NUMBER BTS10

The model number will be found on a plate attached to the back panel of the cabinet. Always mention the model number in all correspondence regarding your **TABLE SAW** or when ordering repair parts.

PARTS LIST FOR FIGURE B

Key No.	Part Number	Description	Quan.	Key No.	Part Number	Description	Quan.
1	410182001	TAPPING FLAT HEAD SCREW	8	22	412012701	FLAT WASHER	1
2	0101010201	GEAR PLATE	1	23	0101010219	LOCK LEVER	1
3	0101040305	REINFORCEMENT PLATE	1	24	411072702	LOCK NUT	1
4	412042002	EXTERNAL TOOTH LOCK WASHER	1	25	0101140205	HAND WHEEL	1
5	410132005	PAN HEAD SCREW	1	26	412011712	FLAT WASHER	1
6	0101040203	CORD CLAMP	1	27	0152010204	HAND WHEEL KNOB	1
7	410192002	TAPPING PAN HEAD SCREW	6	28	0101140203	SPECIAL HAND WHEEL SCREW	1
8	0152011814	GROMMET	1	29	0101140206	HAND WHEEL INSERT	1
9	0101140701	POWER CORD	1	30	414011003	SPRING PIN	1
10	452110003	OVERLOAD PROTECTOR (INCLUDES KEY NO. 34)	1	31	0101140801	ELEVATING SHAFT	1
11	0101140702	WIRE LEAD	1	32	0101140213	SWITCH KEY	1
12	0101090302	CORD CLAMP	1	33	452020007	SWITCH	1
13	0101090201	SWITCH BOX	1	34		HEX NUT (INCLUDED WITH KEY NO. 10)	1
14	410162004	CHEESE HEAD SCREW	4	35	A101140102	MOTOR	1
15	0101140208	RUBBER FOOT	4	36	0101015002	BRUSH ASSEMBLY	2
16	9101145330203	WARNING LABEL	1	37	***	10 in. BLADE	1
17	9101145333101	DATA LABEL	1	38	0101010302	OUTER BLADE WASHER	1
18	0101040204-42	CABINET	1	39	0101010920	ARBOR NUT	1
19	0101140202	TOOL HOLDER	2	40	0101010312	15/16 in. ARBOR WRENCH	1
20	9101140000102	FRONT PANEL LABEL	1	41	0101010313	WRENCH	1
21	412080001	NYLON WASHER	1	42	0201010904	HEX KEY	1
					972000-910	OWNERS MANUAL	1
					8-30-04		

*** Standard Hardware Item — May Be Purchased Locally