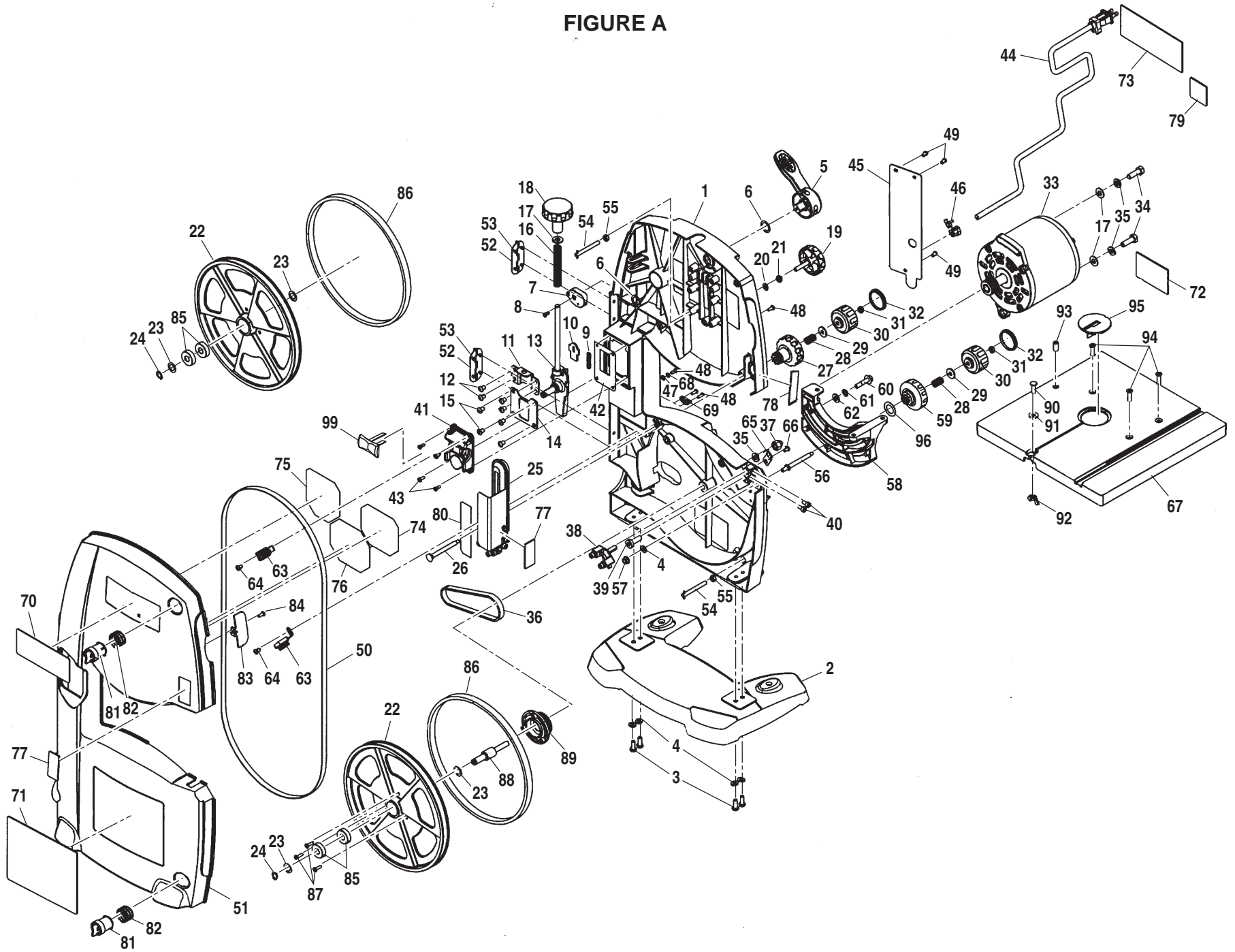


**RYOBI**  
**9 in. BAND SAW**  
**MODEL NO. BS902**  
**REPAIR SHEET**

RYOBI 9 in. BAND SAW – MODEL NUMBER BS902

FIGURE A



## RYOBI 9 in. BAND SAW – MODEL NUMBER BS902

The model number will be found on a plate attached to the motor housing. Always mention the model number in all correspondence regarding your **BAND SAW** or when ordering repair parts.

### PARTS LIST FOR FIGURE A

Key No.	Part Number	Description	Qty.	Key No.	Part Number	Description	Qty.
1	224072-000	FRAME .....	1	26	020911-001	* CARRIAGE BOLT (M6 X 72.5 mm) .....	1
2	240064-000	BASE .....	1	27	303652-000	RACK & PINION KNOB .....	1
3	020301-013	* SCREW (M6 X 16 mm) .....	4	28	029138-000	TENSION SPRING .....	2
4	021200-001	LOCK WASHER (1/4) .....	5	29	021101-013	WASHER .....	2
5	303649-000	CAM LEVER .....	1	30	303653-000	TIGHTENING KNOB .....	2
6	021118-002	WASHER .....	2	31	022301-001	* NYLON NUT (M5) .....	2
7	060043-000	CAM .....	1	32	303695-000	HANDLE LOCK END CAP .....	2
8	020804-000	* SCREW (M4 X 10 mm) .....	1	33	900984-000	MOTOR ASSEMBLY .....	1
9	029185-001	COMPRESSION SPRING .....	1	34	020314-003	* SCREW (M8 X 25 mm) .....	2
10	270683-000	SLIDE .....	1	35	021204-001	* LOCK WASHER (5/16 IN.) .....	3
11	270677-000	SLIDE PLATE .....	1	36	041002-000	GEAR TYPE BELT .....	1
12	020102-023	* SCREW (M6 X 8 mm) .....	4	37	022505-000	NUT .....	1
13	900982-000	UPPER WHEEL SUPPORT ASSEMBLY .....	1	38	900991-000	GUIDE BLOCK SUPPORT ASSEMBLY .....	1
14	270678-000	PLATE .....	1	39	900998-000	THRUST BEARING .....	1
15	020102-025	* SCREW (M6 X 12 mm) .....	4	40	020601-003	* SCREW (M5 X 10 mm) .....	2
16	029186-001	COMPRESSION SPRING .....	1	41	984406001	LOCKING SWITCH .....	1
17	021120-003	WASHER .....	3	42	270689-000	SWITCH COVER .....	1
18	303650-000	FINE ADJUST KNOB .....	1	43	020103-033	* SCREW (M4 X 10 mm) .....	4
19	303651-000	RACK & PINION KNOB .....	1	44	080406-002	POWER CORD .....	1
20	021101-008	WASHER .....	1	45	270679-000	PLATE COVER .....	1
21	022111-002	* LOCK NUT (M6 X 1P) .....	1	46	913001-000	BEND RELIEF .....	1
22	225061-000	WHEEL .....	2	47	021306-000	* LOCK WASHER (M4) .....	1
23	021504-009	WASHER .....	4	48	020103-031	* SCREW (M4 X 8 mm) .....	4
24	023102-001	* RETAINING RING (S-10) .....	2	49	020106-036	* SCREW (M5 X 12 mm) .....	3
25	900983-000	SUPPORT GUIDE .....	1	50	351009-000	BLADE .....	1
				51	303655-000	COVER .....	1

**WARNING: Improper repair of a double insulated tool can result in damage to the double insulation system possibly causing electrical shock or electrocution. Any repairs requiring disassembly of your tool requires safety testing and should only be performed by a Ryobi Authorized Service Center. For the service center nearest you call 1-800-525-2579.**

\* Standard Hardware Item – May Be Purchased Locally

**RYOBI 9 in. BAND SAW – MODEL NUMBER BS902**

The model number will be found on a plate attached to the motor housing. Always mention the model number in all correspondence regarding your **BAND SAW** or when ordering repair parts.

**PARTS LIST FOR FIGURE A CONTINUED**

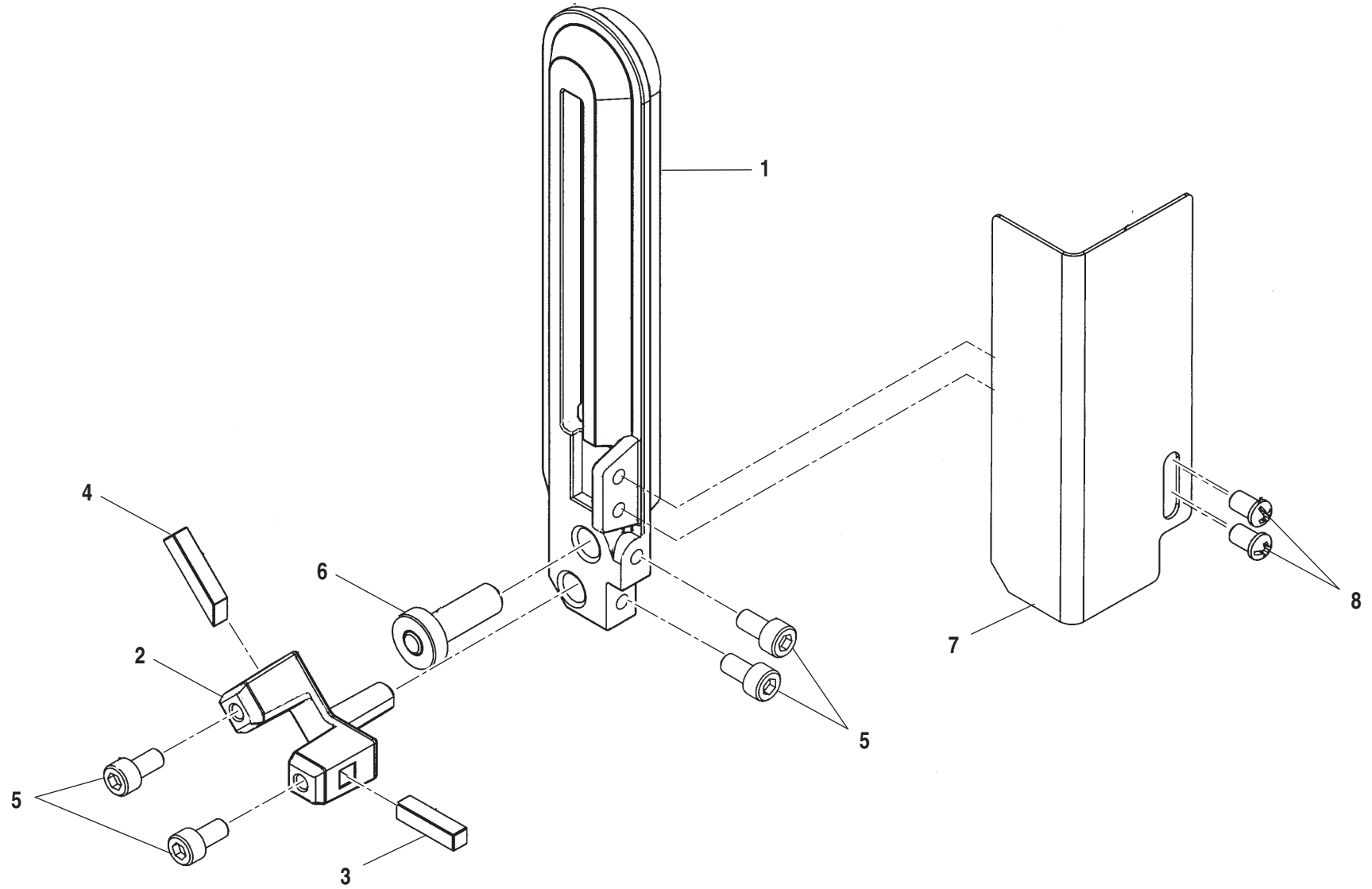
Key No.	Part Number	Description	Qty.	Key No.	Part Number	Description	Qty.
52	270680-000	HINGE .....	2	78	863209-004	TRACKING VIEW WINDOW .....	1
53	024201-000	RIVET .....	8	79	863209-005	LOCK LABEL .....	1
54	290270-000	LOCK PIN .....	2	80	870037-000	DEPTH SCALE .....	1
55	022111-007	* NUT (M6 X 4.8 mm) .....	2	81	303656-000	DOOR LOCK KNOB .....	2
56	028977-000	TRUNNION SHAFT LOCK .....	1	82	029187-001	COMPRESSION SPRING .....	2
57	022306-000	* NYLON NUT (M6) .....	1	83	303657-000	TRACKING WINDOW .....	1
58	224077-000	TRUNNION .....	1	84	020132-001	* SCREW, SELF-TAPPING (M4 X 10 mm) .....	1
59	303660-000	RACK & PINION KNOB .....	1	85	050013-000	BEARING .....	4
60	028976-000	SHOULDER SCREW .....	1	86	330023-000	TIRE WHEEL .....	2
61	021403-007	SPRING WASHER .....	1	87	020132-000	* SCREW, SELF-TAPPING (M4 X 14 mm) .....	3
62	021103-010	WASHER .....	1	88	290273-000	LOWER WHEEL SHAFT .....	1
63	900987-000	BRUSH .....	2	89	303665-000	IDLER PULLY .....	1
64	020106-035	* SCREW (M5 X 8 mm) .....	2	90	028967-000	* SCREW, TRUSS HD. (M6 X 19 mm) .....	1
65	303658-000	INDICATION B .....	1	91	021101-011	WASHER .....	1
66	020716-000	SCREW, BUTTON HEAD CAP .....	1	92	022603-000	* WING NUT (M6) .....	1
67	900989-000	TABLE .....	1	93	020505-031	* SET SCREW (M8 X 15 mm) .....	1
68	021201-003	* LOCK WASHER (M4) .....	1	94	020808-001	* SCREW (M6 X 20 mm) .....	3
69	303006-000	CORD CLAMP .....	1	95	303659-000	TABLE INSERT .....	1
70	863209-000	LOGO PLATE .....	1	96	021118-001	WASHER .....	1
71	863209-001	WARNING LABEL .....	1	97	020401-000	* WING SCREW (M6 X 25 mm) (NOT SHOWN) ...	1
72	871057-000	DATA PLATE .....	1	98	901001-000	LIGHT ACCESSORY COMPLETE (NOT SHOWN) ...	1
73	863209-002	BLADE TRACKING & ADJUSTING LABEL .....	1	99	984406003	SWITCH KEY .....	1
74	863209-007	BLADE CHART (FRENCH) .....	1		983000-267	OPERATOR'S MANUAL	
75	863209-009	BLADE CHART (ENGLISH) .....	1		983000-267R	REPAIR SHEET	
76	863209-010	BLADE CHART (SPANISH) .....	1		5-25-04		
77	863209-003	KEEP HANDS AWAY WARNING LABEL .....	2				

**WARNING: Improper repair of a double insulated tool can result in damage to the double insulation system possibly causing electrical shock or electrocution. Any repairs requiring disassembly of your tool requires safety testing and should only be performed by a Ryobi Authorized Service Center. For the service center nearest you call 1-800-525-2579.**

\* Standard Hardware Item – May Be Purchased Locally

FIGURE B

5



## RYOBI 9 in. BAND SAW – MODEL NUMBER BS902

The model number will be found on a plate attached to the motor housing. Always mention the model number in all correspondence regarding your **BAND SAW** or when ordering repair parts.

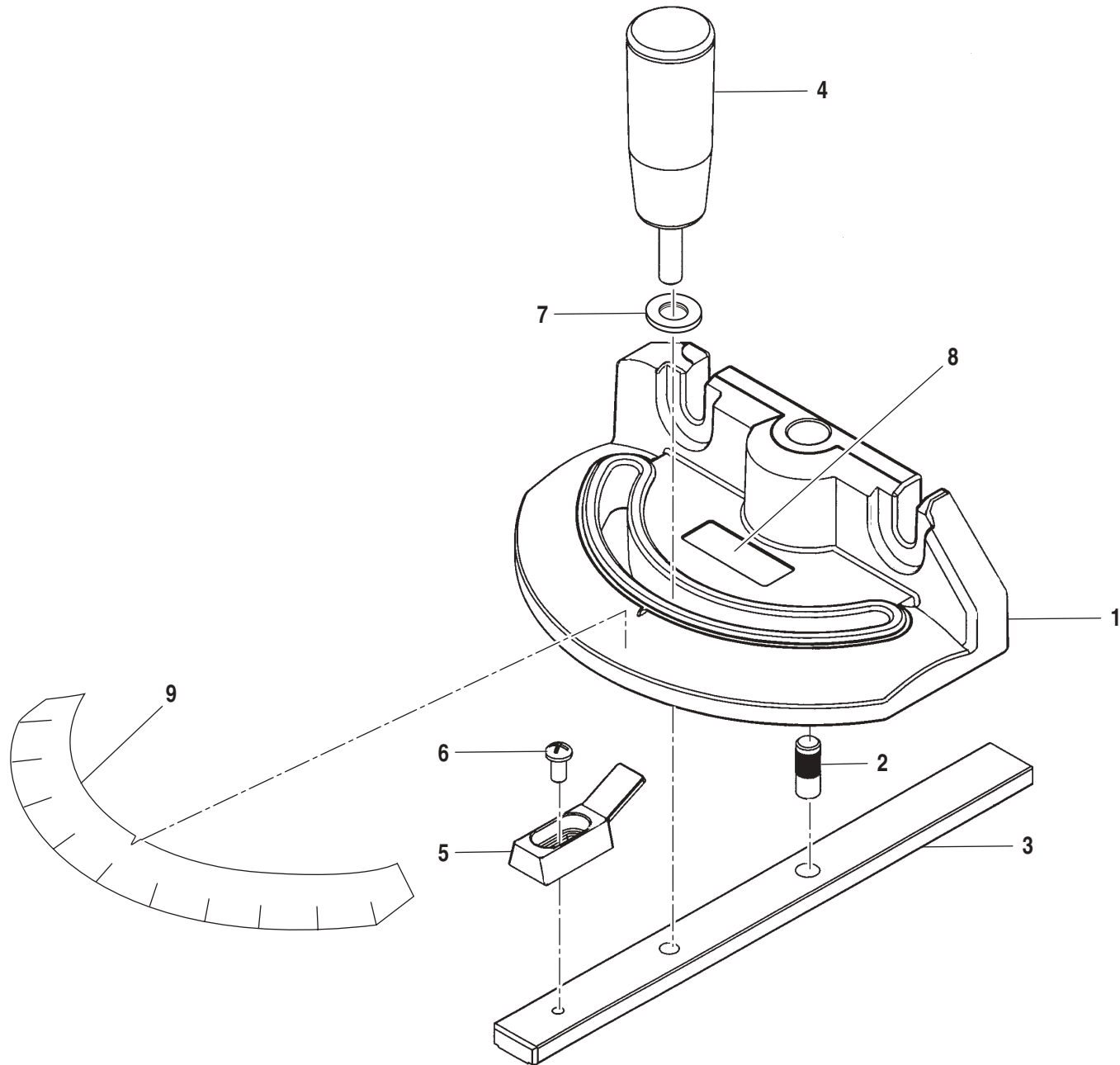
### PARTS LIST FOR FIGURE B

Key No.	Part Number	Description	Qty.
	900983-000	SUPPORT GUIDE ASSEMBLY .....	1
1	224073-000	UPPER SLIDE .....	1
2	260010-000	GUIDE SUPPORT .....	1
3	060044-000	90* BLOCK GUIDE .....	1
4	060045-000	45* BLOCK GUIDE .....	1
5	020601-003	* SCREW (M5 X 10 mm) .....	6
6	900998-000	BEARING THRUST .....	1
7	270684-000	BLADE GUIDE .....	1
8	020106-035	* SCREW (M5 X 8 mm) .....	2

**WARNING:** Improper repair of a double insulated tool can result in damage to the double insulation system possibly causing electrical shock or electrocution. Any repairs requiring disassembly of your tool requires safety testing and should only be performed by a Ryobi Authorized Service Center. For the service center nearest you call 1-800-525-2579.

\* Standard Hardware Item – May Be Purchased Locally

FIGURE C



**RYOBI 9 in. BAND SAW – MODEL NUMBER BS902**

The model number will be found on a plate attached to the motor housing. Always mention the model number in all correspondence regarding your **BAND SAW** or when ordering repair parts.

**PARTS LIST FOR FIGURE C**

<b>Key No.</b>	<b>Part Number</b>	<b>Description</b>	<b>Qty.</b>
	900988-000	MITER GAUGE ASSEMBLY .....	1
1	224074-000	MITER GAUGE .....	1
2	026205-001	PIN .....	1
3	203037-000	BAR .....	1
4	900990-000	MITER GAUGE KNOB .....	1
5	303663-000	INDICATOR .....	1
6	020103-031	* SEMS SCREW (M4 X 8 mm) .....	1
7	021101-039	WASHER .....	1
8	863209-006	LOGO PLATE .....	1
9	870037-002	MITER SCALE .....	1

8

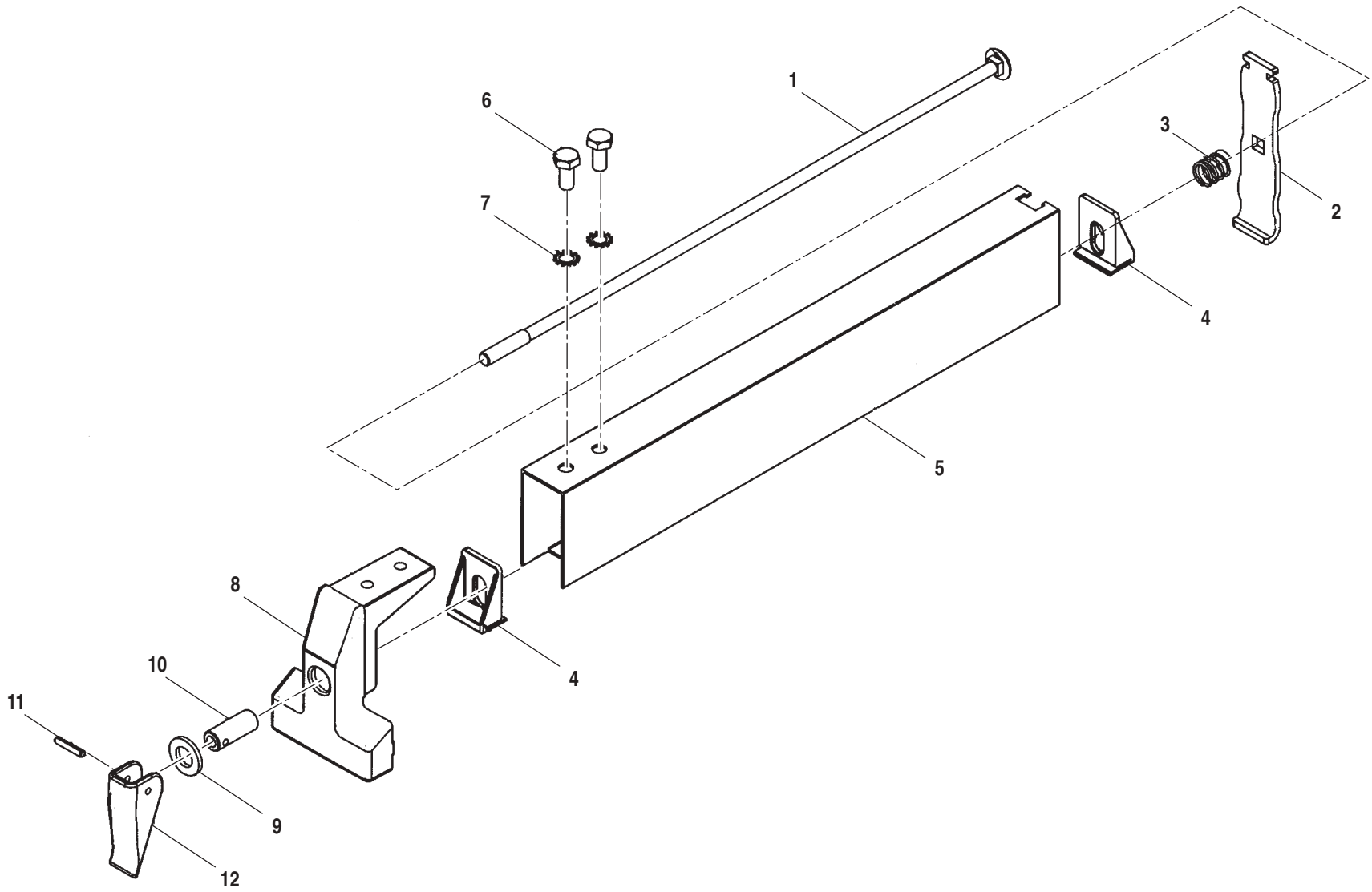
**WARNING:** Improper repair of a double insulated tool can result in damage to the double insulation system possibly causing electrical shock or electrocution. Any repairs requiring disassembly of your tool requires safety testing and should only be performed by a Ryobi Authorized Service Center. For the service center nearest you call 1-800-525-2579.

\* Standard Hardware Item – May Be Purchased Locally



FIGURE D

6



**RYOBI 9 in. BAND SAW – MODEL NUMBER BS902**

The model number will be found on a plate attached to the motor housing. Always mention the model number in all correspondence regarding your **BAND SAW** or when ordering repair parts.

**PARTS LIST FOR FIGURE D**

Key No.	Part Number	Description	Qty.
	880059-000	RIP FENCE ASSEMBLY .....	1
1	290274-000	CLAMP ROD .....	1
2	270682-000	REAR CLAMP .....	1
3	029136-000	COMPRESSION SPRING .....	1
4	303212-000	REAR SLIDING PAD .....	2
5	203012-000	FENCE .....	1
6	020301-012	* SCREW (M6 X13 mm) .....	2
7	021300-000	* LOCK WASHER (M6) .....	1
8	224076-000	RIP FENCE HOUSING .....	1
9	021109-000	WASHER .....	1
10	022813-000	ROLL PIN .....	1
11	026104-009	PIN .....	1
12	225069-000	CAM FENCE LEVER .....	1

10

**WARNING: Improper repair of a double insulated tool can result in damage to the double insulation system possibly causing electrical shock or electrocution. Any repairs requiring disassembly of your tool requires safety testing and should only be performed by a Ryobi Authorized Service Center. For the service center nearest you call 1-800-525-2579.**

\* Standard Hardware Item – May Be Purchased Locally