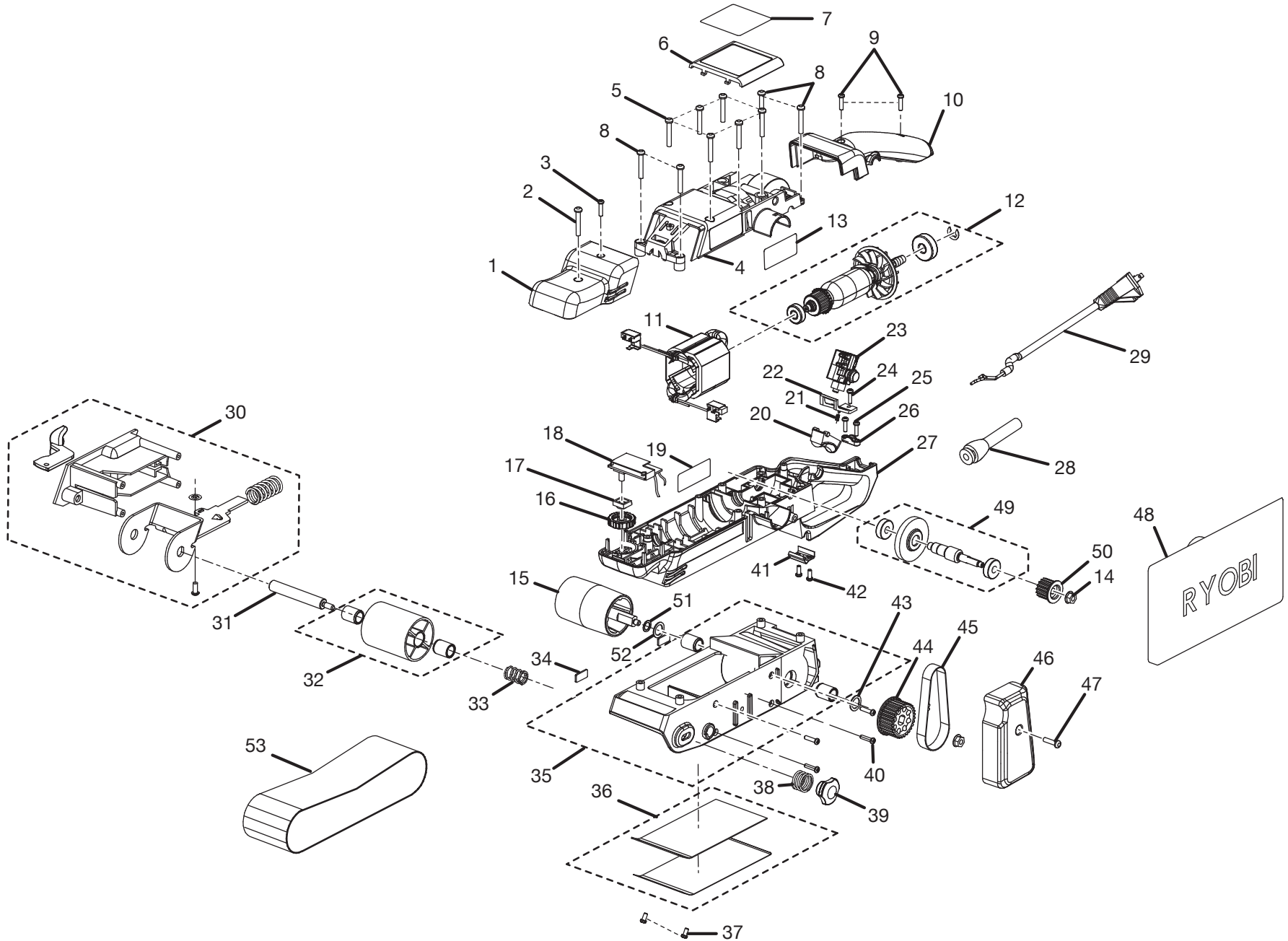


RYOBI
PROFESSIONAL 3 in. BELT SANDER
MODEL NUMBER – BE321VS

**RYOBI PROFESSIONAL 3 in. BELT SANDER
MODEL NUMBER BE321VS**



**RYOBI PROFESSIONAL 3 in. BELT SANDER
MODEL NUMBER BE321VS**

The model number will be found on a plate attached to the motor housing. Always mention the model number in all correspondence regarding your **Belt Sander** or when ordering repair parts.

PARTS LIST

1	512938001	FRONT HANDLE COVER	1
2	660299010	* SCREW (M5 X 30 mm PAN HD.).....	1
3	6627201	* SCREW (M4 X 14 mm PAN HD.).....	1
4	512937001	HOUSING COVER.....	1
5	660299009	* SCREW (M5 X 40 mm PAN HD.)	6
6	512939001	TOP COVER.....	1
7	940299699	LABEL, SPEED SELECTION	1
8	660299011	* SCREW (M5 X 40 mm PAN HD.).....	4
9	6620803	* SCREW (M4 X 22 mm PAN HD.).....	2
10	512940001	REAR HANDLE COVER	1
11	740690001	FIELD AND BRUSH ASSEMBLY	1
12	300919002	ARMATURE ASSEMBLY	1
13	940078056	DATA PLATE	1
14	671033001	* NUT (M6).....	2
15	301165002	DRIVE ROLLER AND SHAFT ASSEMBLY	1
16	512944001	SPEED CONTROL	1
17	513311001	RATCHET DIAL	1
18	280013089	CIRCUIT BOARD.....	1
19	940114105	LOGO LABEL	1
20	512950001	TRIGGER.....	1
21	671732001	SWITCH TRIGGER SPRING	1
22	512946001	SWITCH SUPPORT	1
23	760390001	SWITCH	1

* Standard Hardware Item – May Be Purchased Locally

**RYOBI PROFESSIONAL 3 in. BELT SANDER
MODEL NUMBER BE321VS**

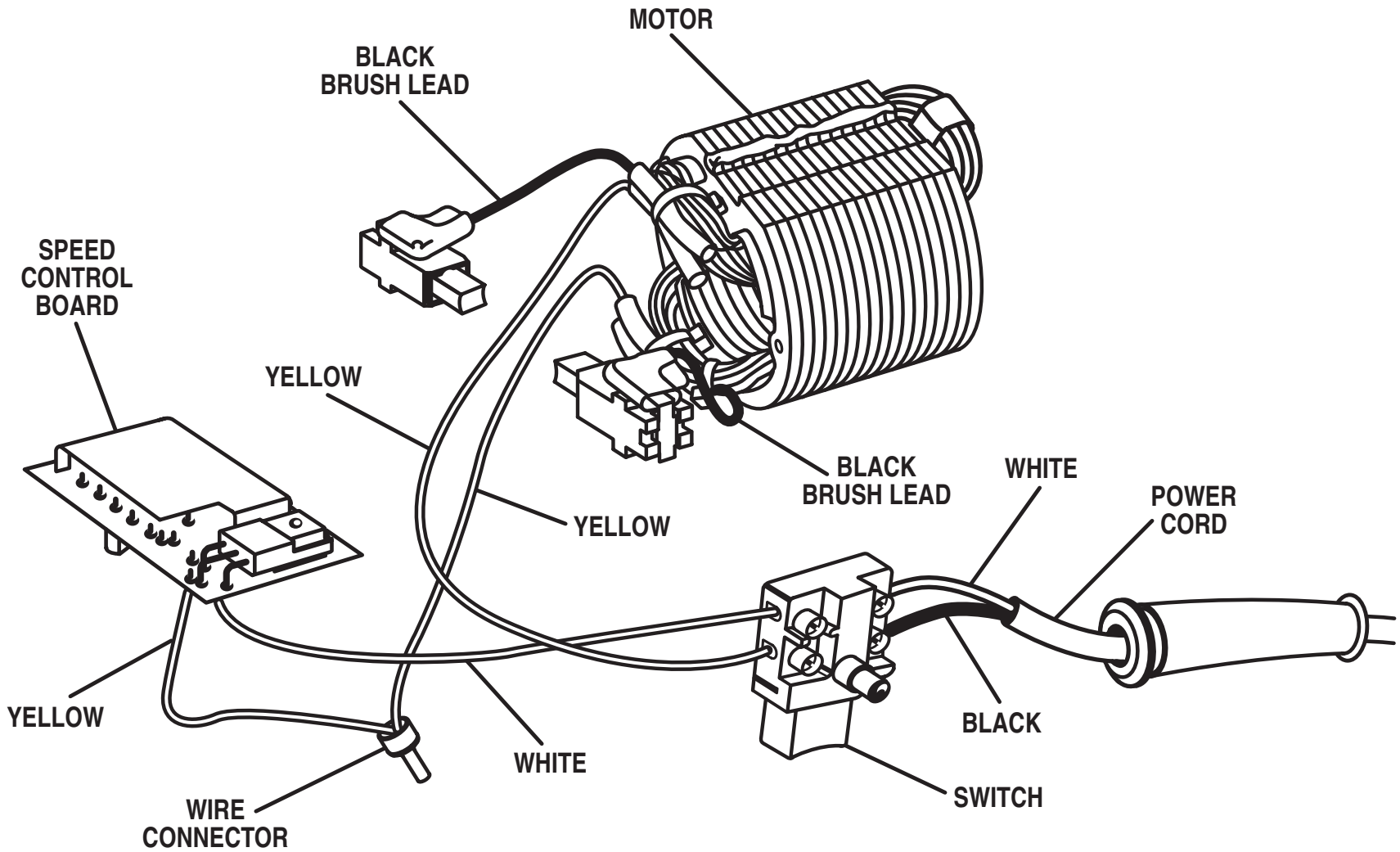
The model number will be found on a plate attached to the motor housing. Always mention the model number in all correspondence regarding your **Belt Sander** or when ordering repair parts.

PARTS LIST

KEY NO.	PART NO.	DESCRIPTION	QTY.
24	660203027	* SCREW (M3 X 8 mm PAN HD.).....	1
25	660182001	* SCREW (M3.5 X 12 mm PAN HD.).....	2
26	590924001	CORD CLAMP.....	1
27	512936001	HOUSING SUPPORT.....	1
28	590274008	BEND RELIEF.....	1
29	730377017	POWER CORD.....	1
30	301284001	GLAMOR PLATE AND YOKE ASSEMBLY.....	1
31	620338001	IDLE ROLLER SHAFT.....	1
32	301188001	IDLE ROLLER ASSEMBLY.....	1
33	671464001	COIL SPRING.....	1
34	900521001	BELT GUIDE.....	2
35	300764012	HOUSING ASSEMBLY.....	1
36	301164002	WEAR PLATE AND BACKING PAD ASSEMBLY.....	1
37	660212021	* SCREW (M4 X 8 mm PAN HD.).....	2
38	671463001	COIL SPRING.....	1
39	512943001	TRACKING KNOB.....	1
40	6620805	* SCREW (M4 X 16 mm PAN HD.).....	4
41	631246001	SPRING PLATE.....	1
42	660208011	* SCREW (M4 X 10 mm PAN HD.).....	2
43	671529001	WASHER.....	1
44	610317002	DRIVEN PULLEY.....	1
45	512558001	TIMING BELT.....	1
46	512941001	BELT COVER.....	1
47	660299004	* SCREW (M5 X 18 mm PAN HD.).....	1
48	300027052	DUST BAG ASSEMBLY.....	1
49	300308021	GEAR W/SHAFT AND BEARING ASSEMBLY.....	1
50	610317003	DRIVE PULLEY.....	1
51	680680002	WASHER.....	1
52	901096001	FELT SEAL.....	1
53	900718001	* SANDING BELT (3 in. X 21 in.).....	1
	983000619	OPERATOR'S MANUAL	
	983000619R	REPAIR SHEET (REV:00)	
	02-22-05		

* Standard Hardware Item – May Be Purchased Locally

**RYOBI PROFESSIONAL 3 in. BELT SANDER
MODEL NUMBER BE321VS**



WIRING DIAGRAM