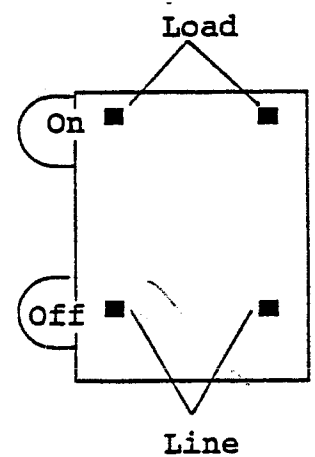
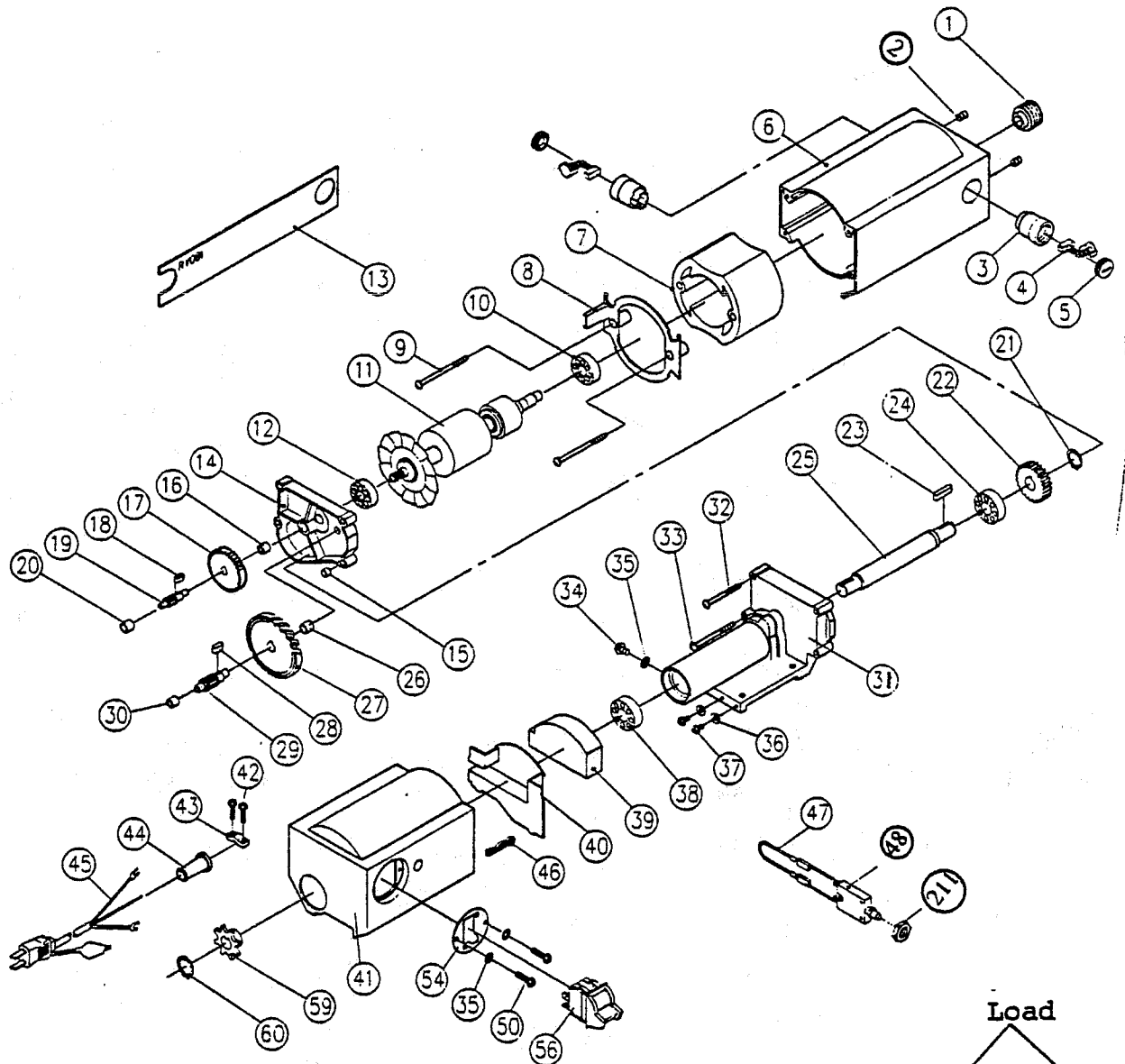


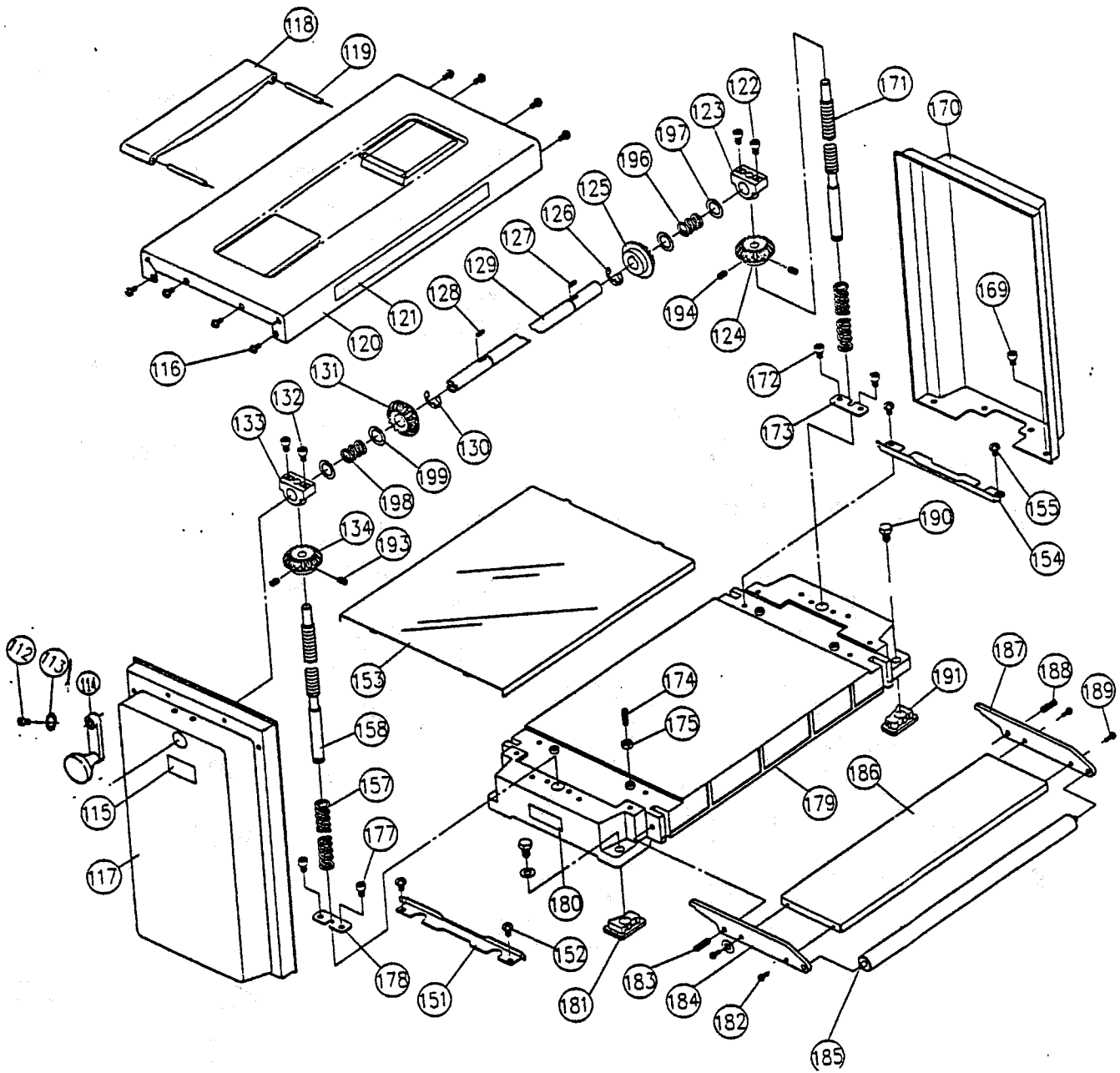
PLANER

AP-12



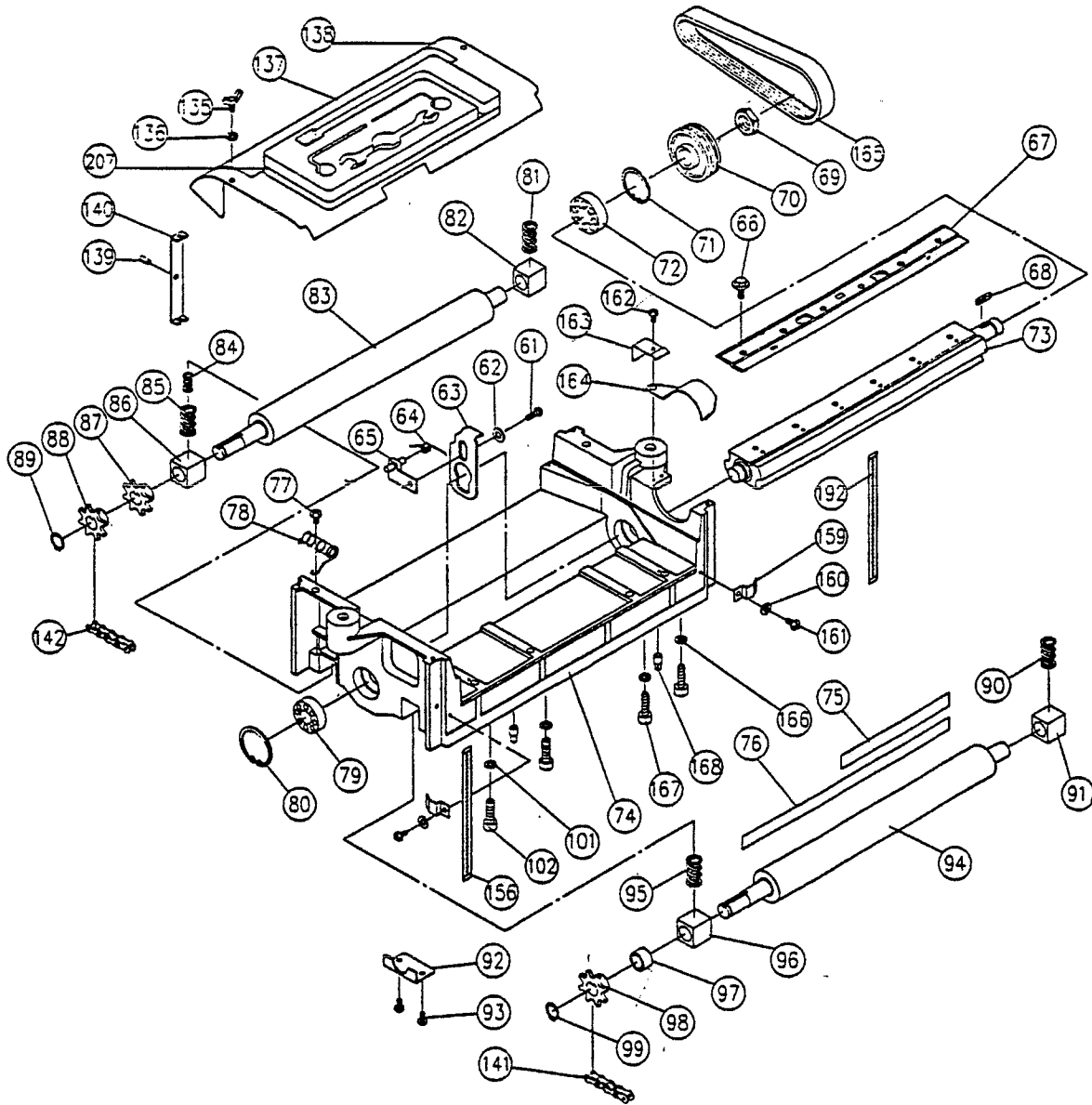
PLANER

AP-12



PLANER

AP-12



PARTS LIST FOR AFTER SALES SERVICE MODEL AP12

REF	PART NO.	DESCRIPTION	QTY	REF	PART NO.	DESCRIPTION	QTY
1	1860009	MOTOR PULLEY	1	51	1880027	SWITCH COVER	1
2	1130146	SET SCREW M5X10	2	52	1130151	HEX NUT M12	2
3	1570002	BRUSH HOLDER	2	53	1900060	TOOTH WASHER	2
4	1540020	CARBON BRUSH SET	2	54	1150050	SWITCH PLATE	1
5	1570003	BRUSH CAP	2	55	1130151	HEX NUT M12	2
6	1080033	MOTOR HOUSING	1	56	4550031	SWITCH	1
7	1500002	FIELD COIL	1	57	1900061	TOOTH WASHER	4
8	1490003	FAN CASING	1	58	1130154	PHILLIPS PAN SCREW M3.5X5	4
9	1130145	SCREW	2	59	1860010	SPROCKET	1
10	9826201	BALL BEARING #6201ZZ	1	60	1100019	RETAINING RING	1
11	1460002	ARMATURE	1	61	1130144	PHILLIPS PAN SCREW M5X20	1
12	969235005	BALL BEARING #6200ZZ	1	62	1900057	WASHER	1
13	1920028	"RYOBI" MARK	1	63	1150049	STOPPER PLATE	1
14	1880024	GEAR CASE COVER	1	64	1180029	TORSION SPRING	1
15	1120022	HOLLOW PIN	4	65	1360042	STOPPER GUIDE	1
16	1760004	BUSH	1	66	1130140	HEX HEAD BOLT	12
17	1200013	GEAR 46	1	67	1940008	BLADE BINDER	2
18	1100020	KEY	1	68	1100018	KEY	1
19	1200012	GEAR 8	1	69	1130141	NUT	1
20	1760004	BUSH	1	70	1860005	MACHINE PULLEY	1
21	1100019	RETAINING RING	1	71	1100017	RETAINING RING	1
22	1200016	GEAR 33	1	72	971803001	BALL BEARING #6203ZZ	1
23	1100015	KEY	1	73	1940007	CUTTER BLOCK	1
24	1750001	BALL BEARING #6202Z	1	74	1330002	HAND CASING	1
25	1100022	GEAR SHAFT	1	75	1920025	WARNING LABEL	1
26	1760005	BUSH	1	76	1920026	BLADE WIDTH LABEL	1
27	1200015	GEAR 70	1	77	1130138	PHILLIPS PAN SCREW M6X10	1
28	1100021	KEY	1	78	1180030	CORD STAND	1
29	1200014	GEAR 8	1	79	1750001	BALL BEARING #6202ZZ	1
30	1760005	BUSH	1	80	1100016	RETAINING RING	1
31	1820001	GEAR CASE	1	81	1180027	SPRING	1
32	1130148	SCREW	3	82	1760003	BUSH	1
33	1130152	PHILLIPS PAN SCREW	1	83	1860007	FEED ROLLER	1
34	1130155	PHILLIPS PAN SCREW	1	84	1180028	COIL SPRING	1
35	1900059	TOOTH WASHER	1	85	1180027	SPRING	1
36	1900058	WASHER	2	86	1760003	BUSH	1
37	1130143	PHILLIPS PAN SCREW M4X8	2	87	1860008	SPROCKET	1
38	969235004	BALL BEARING #6002Z	1	88	1860008	SPROCKET	1
39	1370008	SPONGE	1	89	1100019	RETAINING RING	1
40	1880025	SWITCH COVER	1	90	1180027	SPRING	1
41	1880026	SWITCH BOX	1	91	1760003	BUSH	1
42	1130147	PHILLIPS PAN SCREW	2	92	1150047	BRACKET	4
43	1560011	WIRE CLAMP	1	93	1130136	PHILLIPS PAN SCREW M5X10	8
44	1760006	RELIEF BUSH	1	94	1860007	FEED ROLLER	1
45	1520015	POWER SUPPLY WIRE	1	95	1180027	SPRING	1
46	1120023	SNAP PIN	3	96	1760003	BUSH	1
47	1590013	WIRE	1	97	1900055	COLLAR	1
48	1550018	RESET SWITCH	1	98	1860008	SPROCKET	1
50	1130153	FLATE HEAD SCREW M4X16	2	99	1100019	RETAINING RING	1

PARTS LIST FOR AFTER SALES SERVICE MODEL AP12

100	1550016	"ON" SWITCH BUTTON	1	156	1950012	SCALE	1	
101	1900054	SPRING WASHER	2	157	1180026	SPRING		
102	1130149	CAP SCREW M6X20	2	158	1130133	LEAD SCREW	1	
112	1130135	CAP SCREW M6X16	1	159	1950014	SCALE INDICATOR	2	
113	1900054	SPRING WASHER	1	160	1900063	SPRING WASHER	2	
114	1080030	HANDLE	1	161	1130143	PHILLIPS PAN SCREW M4X8	2	
115	1920023	LABEL	1	162	1130143	PHILLIPS PAN SCREW M4X8	1	
116	1130138	PHILLIPS PAN SCREW M6X10	8	163	1180031	PLATE SPRING	1	
117	1880020	COVER	1	164	1880023	BELT COVER	1	
118	1830017	HANDLE	1	165	1860006	BELT	1	
119	1120018	PIN	2	166	1900054	SPRING WASHER	2	
120	1880022	TOP COVER	1	167	1130150	SCREW M6X20	2	
121	1920030	LABEL	1	168	1120021	PIN	2	
122	1130131	CAP SCREW M6X10	2	169	1130131	CAP SCREW M6X10	8	
123	1330001	BRACKET	1	170	1880021	COVER	1	
124	1200010	BEVEL GEAR	1	171	1130132	LEAD SCREW	1	
125	1200011	BEVEL GEAR	1	172	1130131	CAP SCREW M6X10	2	
126	1100014	RETAINING RING	1	173	1150044	ANCHOR PLATE	1	
127	1100015	KEY	1	174	1130129	SET SCREW M6X25	4	
128	1100015	KEY	1	175	1130130	NUT M6	4	
129	1100013	SHAFT	1	177	1130131	CAP SCREW M6X10	2	
130	1100014	RETAINING RING	1	178	1150044	ANCHOR PLATE	1	
131	1200011	BEVEL GEAR	1	179	1850007	BASE	1	
132	1130131	CAP SCREW M6X10	2	180	1910154	NAME PLATE	2	
133	1330001	BRACKET	1	181	1370006	CUSHION	2	
134	1200010	BEVEL GEAR	1	182	1130139	PHILLIPS PAN SCREW M4X10		
135	1130142	SCREW M5X8	2	183	1120019	SPRING PIN	1	
136	1900062	SPRING WASHER	2	184	1320015	ARM	1	
137	1920024	LABEL	1	185	1860004	ROLLER	1	
138	1150048	DUST COVER	1	186	1150045	PLATE	1	
139	1120020	SPRING PIN	4	187	1320015	ARM	1	
140	1150051	SLIDER	4	188	1120019	SPRING PIN	1	
141	1860011	CHAIN	1	189	1130139	PHILLIPS PAN SCREW M4X10	2	
142	1860011	CHAIN	1	190	1130137	SCREW	4	
143	1120019	SPRING PIN	1	191	1370007	CUSHION	2	
144	1130139	PHILLIPS PAN SCREW M4X10	2	192	1950013	SCALE	1	
145	1320015	ARM	1	193	1130134	SET SCREW M6X10	2	
146	1860004	ROLLER	1	194	1130134	SET SCREW M6X10	2	
147	1320015	ARM	1	196	1180038	SPRING	2	
148	1130139	PHILLIPS PAN SCREW M4X10	2	197	1900072	WASHER	4	
149	1120019	SPRING PIN	1	207	1370033	TOOL HOLDER	1	
150	1150045	PLATE	1	211		HEX NUT (No Part No.)		
151	1150043	GUIDE PLATE	1		989039002	SWITCH KEY (not shown)		
152	1130138	PHILLIPS PAN SCREW M6X10	2	STANDARD ACCESSORIES				
153	1150046	SLIDE PLATE	1	500	1240100	HEX KEY WRENCH 3	1	
154	1150043	GUIDE PLATE	1	---	1240110	HEX KEY WRENCH 5	1	
155	1130138	PHILLIPS PAN SCREW M6X10	2	501	1240120	OPEN-END WRENCH	1	
				502	1240130	"L" TYPE WRENCH 10	1	
				510	6660663	PLANER BLADE	1	

SERVICE NOTES: