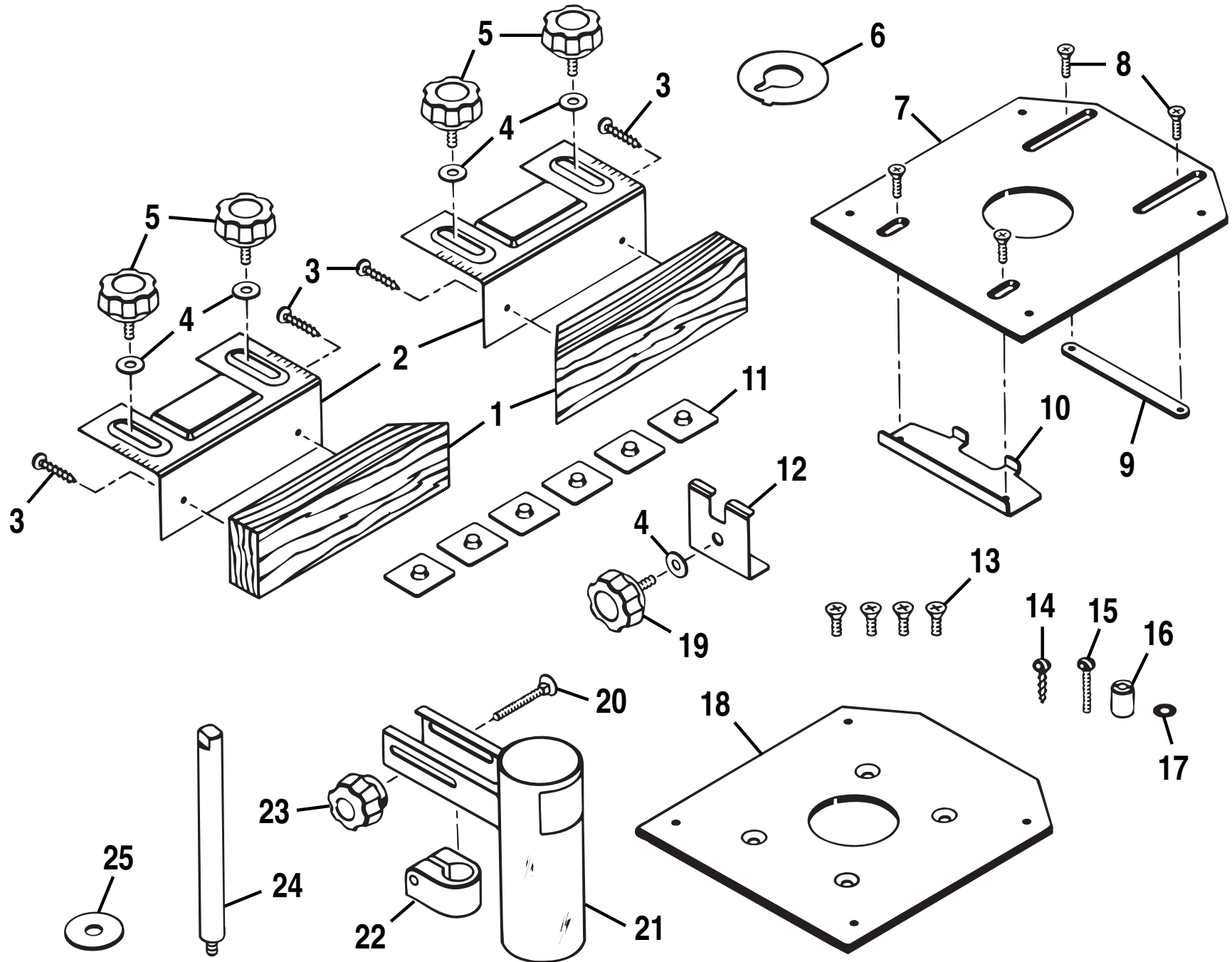


#4950300 ROUTER AND JIG SAW MOUNTING KIT



REPLACEMENT PARTS

Now that you have purchased your **Router and Jig Saw Mounting Kit**, should a need ever exist for repair parts or service, simply contact your nearest **Ryobi Authorized Service Center** or **other qualified service organization**. Be sure to provide all pertinent facts when you call or visit.

PARTS LIST

KEY NO.	DESCRIPTION	QUANTITY
1	Guide Block	2
2	Guide Fence	2
3	Wood Screw (#10 x 5/8 in. Round Hd.)	4
4	5/16 in. Washer	5
5	Knob Bolt (#5/16-18 x 1/2 in.)	4
6	Throat Plate	1
7	Jig Saw Mounting Plate	1
8	Screw (#10-24 x 3/4 in. Phillips Flat Hd.)	4
9	Rear Clamping Bracket for Jig Saw	1
10	Front Clamping Bracket for Jig Saw	1
11	5/16 in. T-Nut (Special)	6
12	Table Clamping Bracket	1
13	Screw (#1/4-20 x 1/2 in. Phillips Flat Hd.)	4
14	Wood Screw (#6 x 1 in. Round Hd.)	1
15	Screw (#10-24 x 1 in. Round Hd.)	1
16	Circle Cutting Collar with Slot	1
17	Washer (#10)	1
18	Router Mounting Plate	1
19	Knob Bolt (#5/16-18 x 3/4 in.)	1
20	Carriage Bolt (#1/4-20 x 1-9/16 in.)	1
21	Dust Cover with Decal	1
22	Dust Cover Pivot	1
23	Knob Nut (#1/4-20 x 1-3/4 in. Dia.)	1
24	Post	1
25	Spacer	1
	Operator's Manual	