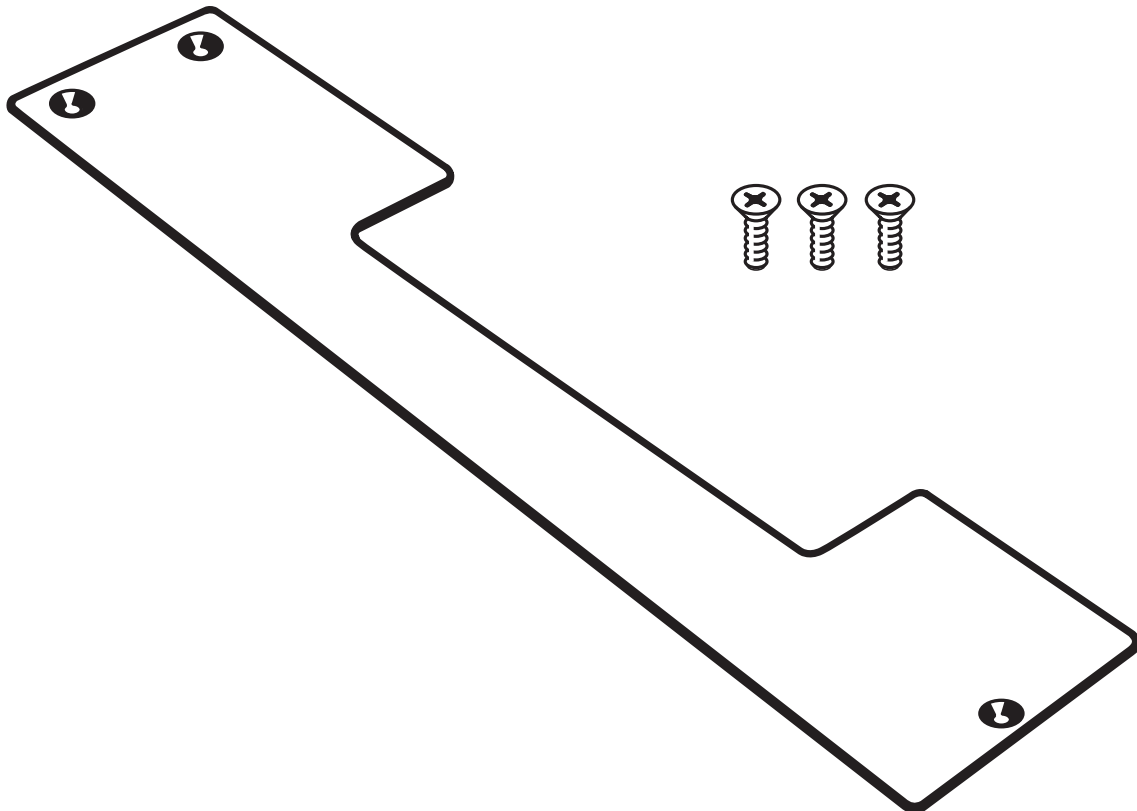




OPERATOR'S MANUAL

#4070331 DADO THROAT PLATE

(FOR USE WITH THE BT3000 AND BT3100
TABLE SAWS)



Your Dado Throat Plate has been engineered and manufactured to Ryobi's high standards for dependability, ease of operation, and operator safety.

⚠ WARNING: To reduce the risk of injury, the user must read and understand the operator's manual.

Thank you for buying a Ryobi tool.

SAVE THIS MANUAL FOR FUTURE REFERENCE

RULES FOR SAFE OPERATION

Safe operation of this accessory requires that you read and understand this operator's manual, the operator's manual for the table saw and all labels affixed to the tool.

READ ALL INSTRUCTIONS

- **KNOW YOUR ACCESSORY.** Read the operator's manual carefully. Learn the product's applications and limitations as well as the specific potential hazards related to this product.
- **KEEP THE WORK AREA CLEAN.** Cluttered work areas and work benches invite accidents. **DO NOT** leave tools or pieces of wood on the saw while operating.
- **ALWAYS WEAR SAFETY GLASSES WITH SIDE SHIELDS.** Everyday eyeglasses have only impact-resistant lenses; they are **NOT** safety glasses.

- **DO NOT USE THIS PRODUCT WITH OTHER EQUIPMENT** or for other purposes.
- **ALWAYS DISCONNECT THE SAW FROM THE POWER SUPPLY BEFORE ASSEMBLING THIS KIT.** Make sure the switch is off when reconnecting the saw to a power supply.
- **BEFORE MAKING A CUT, BE SURE ALL ADJUSTMENTS ARE SECURE.**
- **SAVE THESE INSTRUCTIONS.** Refer to them frequently and use them to instruct other users. If you loan someone this product, also loan these instructions.

The purpose of safety symbols is to attract your attention to possible dangers. The safety symbols, and the explanations with them, deserve your careful attention and understanding. The safety warnings do not by themselves eliminate any danger. The instructions or warnings they give are not substitutes for proper accident prevention measures.

SYMBOL	MEANING
	SAFETY ALERT SYMBOL: Indicates danger, warning or caution. May be used in conjunction with other symbols or pictographs.
	DANGER: Failure to obey a safety warning will result in serious injury to yourself or to others. Always follow the safety precautions to reduce the risk of fire, electric shock and personal injury.
	WARNING: Failure to obey a safety warning can result in serious injury to yourself or to others. Always follow the safety precautions to reduce the risk of fire, electric shock and personal injury.
	CAUTION: Failure to obey a safety warning may result in property damage or personal injury to yourself or to others. Always follow the safety precautions to reduce the risk of fire, electric shock and personal injury.
	NO HANDS: Failure to keep your hands away from the blade will result in serious personal injury.
	WET CONDITIONS ALERT: Do not expose to rain or use in damp locations.
NOTE:	Advises you of information or instructions vital to the operation or maintenance of the equipment.



The operation of any power tool can result in foreign objects being thrown into your eyes, which can result in severe eye damage. Before beginning tool operation, always wear safety goggles or safety glasses with side shields and a full face shield when needed. We recommend Wide Vision Safety Mask for use over eyeglasses or standard safety glasses with side shields. Always wear eye protection which is marked to comply with ANSI Z87.1.

SAVE THESE INSTRUCTIONS

UNPACKING

INFORMATION

- Remove the loose parts from the box.
- Inspect the dado throat plate carefully to make sure no breakage or damage occurred during shipping.
- If the dado throat plate is damaged, please call 1-800-525-2579 for assistance.

⚠ WARNING:

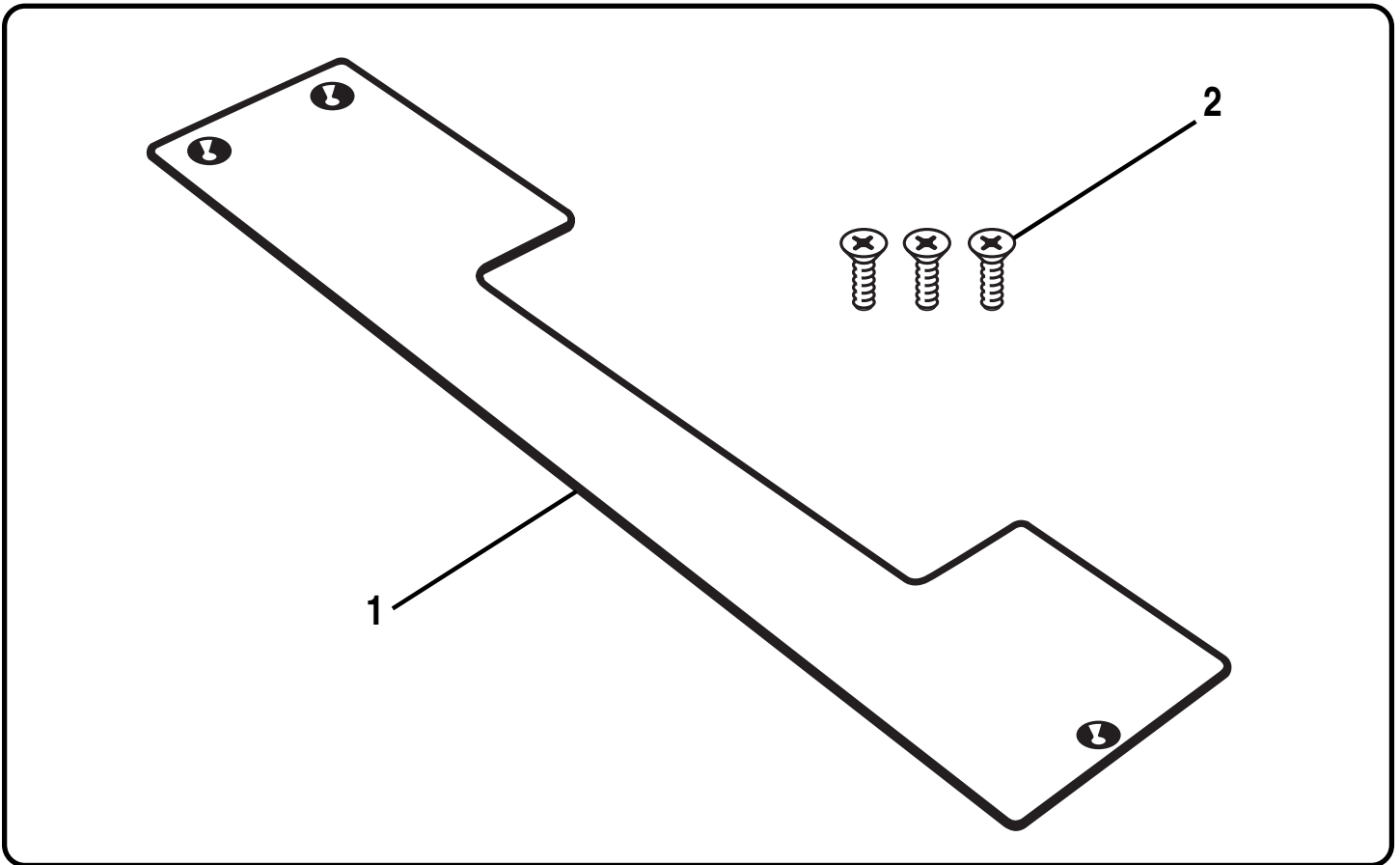
If any parts are missing, replace the missing parts before assembling the kit. Failure to do so could result in serious personal injury.

LOOSE PARTS LIST

1. Dado throat plate
2. 10-24 x 3/4 in. flat head screws (3)

TOOLS NEEDED

Phillips head screwdriver



ASSEMBLY

Read these instructions completely before mounting the dado throat plate on the saw.

WARNING:

The table saw should never be connected to a power supply when you are assembling or disassembling parts. Disconnecting the table saw will prevent accidental starting that could cause serious personal injury.

Use the two wrenches supplied with the saw.

- **Unplug the saw.**
- **Remove the original throat plate from the saw.**

For the BT3000: Raise the blade guard by lifting. Lower the blade and remove the three throat plate screws. Lift the throat plate out of the slot in the saw table. See Figure 1.

For the BT3100: Raise the blade guard by lifting. Lower the blade and remove the throat plate screw. Lift the throat plate out of the slot in the saw table. See Figure 1.

- Following the instructions in the operator's manual of your saw, set the angle of your saw at 30°, and secure in place with the locking lever. Raise the blade to its full height by turning the blade adjusting handle clockwise.
- Use the box end of the small hex wrench to loosen the two hex nuts at the base of the riving knife. DO NOT REMOVE THE HEX NUTS. Lift by the riving knife to remove the blade guard assembly and retighten the two hex nuts. Again, refer to the operator's manual of your saw.
- Return the angle setting of your saw to 0° and secure with the locking lever.

Remove the blade:

- Place the open end of the small hex wrench into the slot to the right of the blade. The wrench will fit over two flats on the arbor (blade shaft). See Figure 2.
- Fit the large hex wrench onto the hex nut, which has left hand threads. Turn clockwise and remove the hex nut, taking care not to drag your knuckles across the blade.
- Remove the outer blade washer from the arbor, then remove the blade.
- Remove the inner blade washer and both spacers on the blade arbor to allow for the thickness of the dado blade. Refer to the instructions provided with your Ryobi dado set, part no. 4650306. Do not use other dados.
- Replace the inner blade washer, making sure it is tight against the arbor shoulder.
- Mount the dado blade, using the instructions with the dado set. Replace outer blade washer and hex nut. Tighten hex nut securely. Remember, the hex nut has left hand threads.

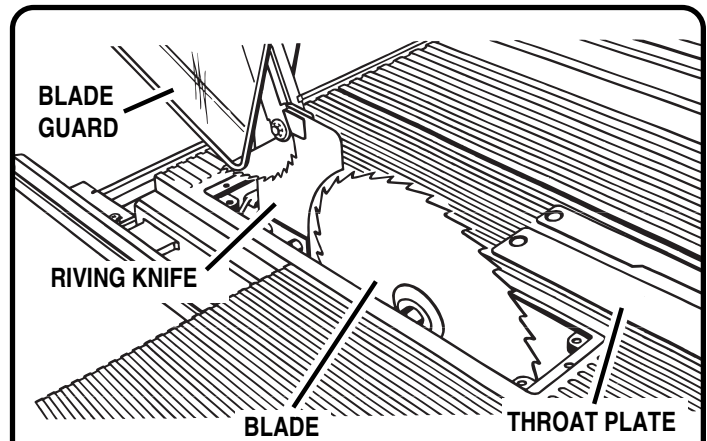


Fig. 1: Blade and Riving Knife

NOTE: PLACE DADO BLADE BETWEEN INNER AND OUTER BLADE WASHERS

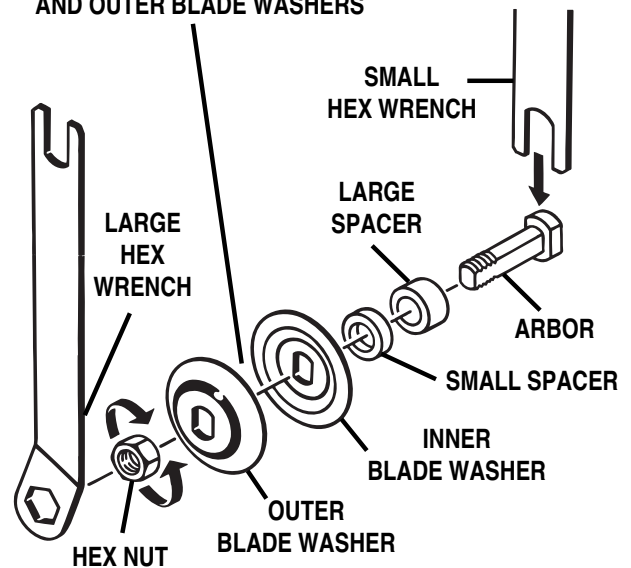


Fig. 2: Arbor, Spacers and Washers

ASSEMBLY

Install dado throat plate:

- Lower the dado blade and secure the dado throat plate with the three screws provided. Locate the first threads very carefully to avoid stripping. *See Figure 3.*
- Rotate the dado blade by hand to make sure it is turning freely and does not contact the saw or throat plate.
- Make sure the switch is in the **OFF** position. Reconnect the saw to power supply to begin operation.
- **Always use push blocks when making dado cuts to avoid the risk of serious injury.**
- Upon completion of dado cutting operation: unplug saw; remove dado throat plate and dado blade; then reassemble saw blade, riving knife/guard assembly, throat plate and screws. Follow instructions in the operator's manual carefully.

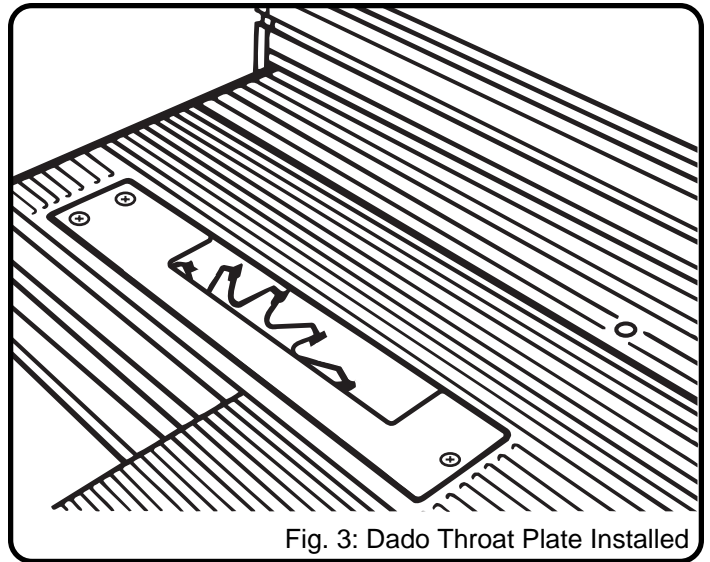


Fig. 3: Dado Throat Plate Installed



OPERATOR'S MANUAL

#4070331 DADO THROAT PLATE

(FOR USE WITH THE BT3000 AND BT3100 TABLE SAWS)

WARRANTY

Ryobi warrants its accessories for a period of 90 days from the date of purchase. Batteries and chargers are warranted for a period of two years from the date of purchase.

PARTS AND SERVICE

For parts or service, contact your nearest Ryobi authorized service center. Be sure to provide all relevant information when you call or visit. For the location of the authorized service center nearest you, please call 1-800-525-2579 or visit us online at www.ryobitools.com. When ordering parts, always give the model number:

MODEL NUMBER **4070331**

RYOBI TECHNOLOGIES INC.

1428 Pearman Dairy Road Anderson SC 29625
Post Office Box 1207 Anderson SC 29622-1207
Phone 1-800-525-2579
www.ryobitools.com